

KTV-FLEX DIRECT DRIVE

—

Mounting instructions



KTV-FLEX DIRECT DRIVE

KTV-FLEX DIRECT DRIVE

Contents

Contents	01/2018
	Page
Contents	03
For your safety	04
Intended application.....	04
Limitation of liability.....	04
Safety instructions.....	04
Important technical data.....	04
Standards, laws, codes and regulations.....	04
Danger spots at closing edges.....	04
Recycling and disposal.....	04
Safety during mounting.....	05
Safety during commissioning (see separate instructions).....	05
Wear parts	05
Explanation of symbols.....	06
Mounting on finish floor.....	09
Mounting of Floor ring.....	14
Preparation for mounting of canopy.....	18
Mounting the girder and canopy.....	19
Mounting the drum wall.....	29
Mounting the operator.....	44
Mounting the wings.....	50
Mounting the inner ceiling(metal plate).....	67
Mounting the inner ceiling(wood).....	70
Mounting the outer ceiling.....	77
“Translation of the original operation instructions”	


KTV-FLEX DIRECT DRIVE

For your safety

For your safety

This documentation contains important information regarding the mounting and the safe operation of the door system. Read these instructions before operating the KTC 3/4 revolving door.

Please keep these documents for further reference and hand them over to the person in charge in case the system is transferred to another party.

 **It is important for your personal safety to abide by all enclosed instructions.**

Incorrectly performed mounting might cause serious injury. Using control elements, making adjustments or performing procedures that are not described in this documentation might cause electric shocks, danger caused by electric voltage/current and/or danger due to mechanical incidents. Please keep these documents for further reference and hand them over to the person in charge in case the system is transferred to another party.

Intended application

The automatic revolving door is only suitable as entry/exit between two separate areas of a building. As a rule, the door connects the inside of a building with the outside.

Thanks to its sophisticated technical design and geometry, there is almost no direct connection between the two separate areas.


Therefore these door systems limit draughts and noise and control user traffic between the two areas.

If provided with corresponding equipment, the revolving door can be locked in order to close the entrance/exit.

Limitation of liability

The revolving door is to be used according to its specified intended application. DORMA GmbH + Co. KG will not accept any liability for damage resulting from unauthorised modifications of the revolving door system. Please note that components/accessories that have not been approved by DORMA are exempted from liability.

Safety instructions

 **Work on electrical equipment shall only be performed by properly qualified staff.**

- Do not allow children to play with the KTC 3/4 or its adjustment and control devices. Keep remote controls out of reach of children.
- Never stick metal objects into the holes/openings of the KTC 3/4, otherwise you might sustain an electric shock.
- Glass door wings have to be made of safety glass.

• Important technical data

Power supply	230 V AC
Fuse protection (by others)	16 A
Operating noise	< 70 dB (A)
Temperature range	-20° to 40°
Relative humidity	max. 93 %
non condensing	
(only for use in dry environments)	

•

• Standards, laws, codes and regulations

The latest versions of the common and country-specific standards, laws, codes and regulations have to be observed.

DIN 18650/EN 16005

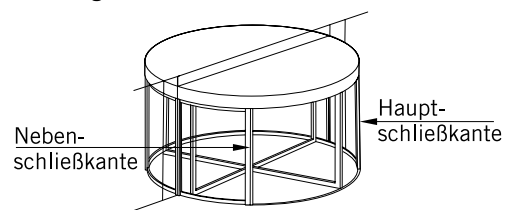
During the planning of the door system, the manufacturer (installer) and the customer/facility operator have to carry out an individual risk assessment (together).

Please refer to our homepage www.dorma.de and consider the provided "risk assessment form" under PRODUCTS for further assistance when performing the individual risk assessment.

Danger spots at closing edges

Automatic doors might cause hazards by crushing, shearing, hitting and drawing-in at the different closing edges.

Revolving door

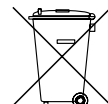


Depending on the structural conditions, the prevailing door version and the available safety equipment, residual risks (such as crushing and hitting – with limited force) cannot be excluded.

Special requirements regarding the protection of people in need of protection

In case the risk assessment reveals health risks or risks of injury caused by the door hitting a user in an unacceptable way, additional protection via appropriate safety equipment (connection of a safety sensor) is required. This is especially necessary when people in need of protection (children, elderly people or disabled people) use the door.

Recycling and disposal

 Both the KTC 3/4 and its packing mainly consist of recyclable raw material. The KTC 3/4 and the respective accessories/components must not be disposed of as domestic waste.

Please ensure that the old appliance and the respective components/accessories (if available) are properly disposed of and abide by the prevailing national statutory provisions.

KTV-FLEX DIRECT DRIVE

For your safety

Safety during mounting

The working area has to be secured against unauthorised access from other people. Falling items or tools might cause injury.

The KTV 3/4 has to be secured against water and other liquids.

In any case, the way of mounting and the mounting equipment, like for example screws and wall plugs, have to be adequate with regard to the structural conditions (steel structure, wood, concrete etc.).

The mounting of the KTV 3/4 described herein is only an example. Structural or local conditions, available tools or other conditions might suggest a different approach.

Following the mounting of the system, check the KTC 3/4 and the connected safety equipment for proper functioning and adjustment and ensure that the system and its components are in good technical condition.

Only specially qualified staff shall open the power supply housing.

De-energise the KTC 3/4 (disconnect system from all mains) before removing the cover of the power supply housing. Remove the power plug or switch off the fuse (with permanent power supply).

Always pull at the plug and never at the cable when unplugging the power supply.

Safety during commissioning (see separate instructions)

The protective earth conductor has to be connected.

The safety sensors have to be connected (see commissioning instructions).

Ensure that the door wings run smoothly.

The rechargeable battery pack has been installed (optional).

Wear parts

See maintenance instructions for list of wear parts and their maintenance.

Only use original spare parts.

We would recommend taking out a maintenance agreement with DORMA.

KTV-FLEX DIRECT DRIVE

Explanation of symbols



Use protective helmet



Use eye protection



Use hand guard



Use foot protection

NOTICE

Notice: Dangerous situation
disregard can lead to property damage

CAUTION

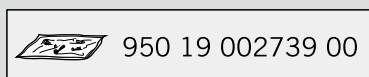
Notice: Dangerous situation
disregard can lead to injuries

WARNING

Caution: Dangerous situation
disregard can lead to serious
injuries

General protective measures

Follow these symbols and instructions during mounting.

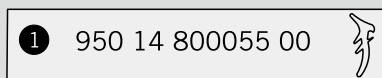


950 19 002739 00

Assortment

1 2 3

Order



1 950 14 800055 00

Item number



Direction

950 14 900121 00

Item number

1 - - - - - 6

Item number

Version	L3	Chart
ab	∅ 2260mm	281mm
<	∅ 2260mm	231mm

These symbols explain the individual steps during mounting.

Explanation of symbols

NOTICE

Notice: Dangerous situation
disregard can lead to property damage



Use protective helmet



Use eye protection



Use eye protection welding



Use foot protection



Use hand guard



Use hand guard for glass



Keep off the floor

Watch out for the following symbols when mounting the system.

CAUTION

Notice: Dangerous situation
disregard can lead to injuries



Caution risk of stumbling



Caution risk of falling



Caution risk of floating items



Caution risk of electricity



Caution risk of shearing and crimping



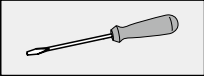


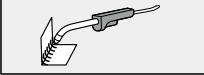
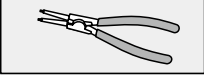
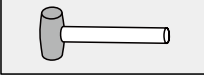
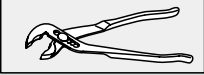
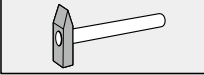
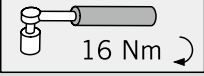
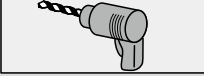
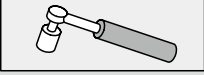
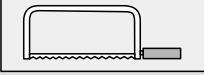
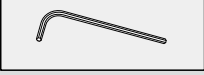

Caution risk of cutting damage

Watch out for the following symbols when mounting the system.







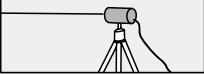

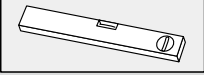
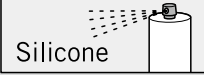

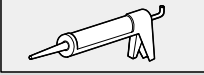

► Otherwise you risk injury.

KTV-FLEX DIRECT DRIVE

Explanation of symbols

	Screwdriver		Open-end wrench
	Side cutter		Welding
	Gripper for snaprings		Mallet
	Pipe wrench		Hammer
	Torque 16 Nm		Drill
	Lever brace		Saw
	Wrench		Elevating gla

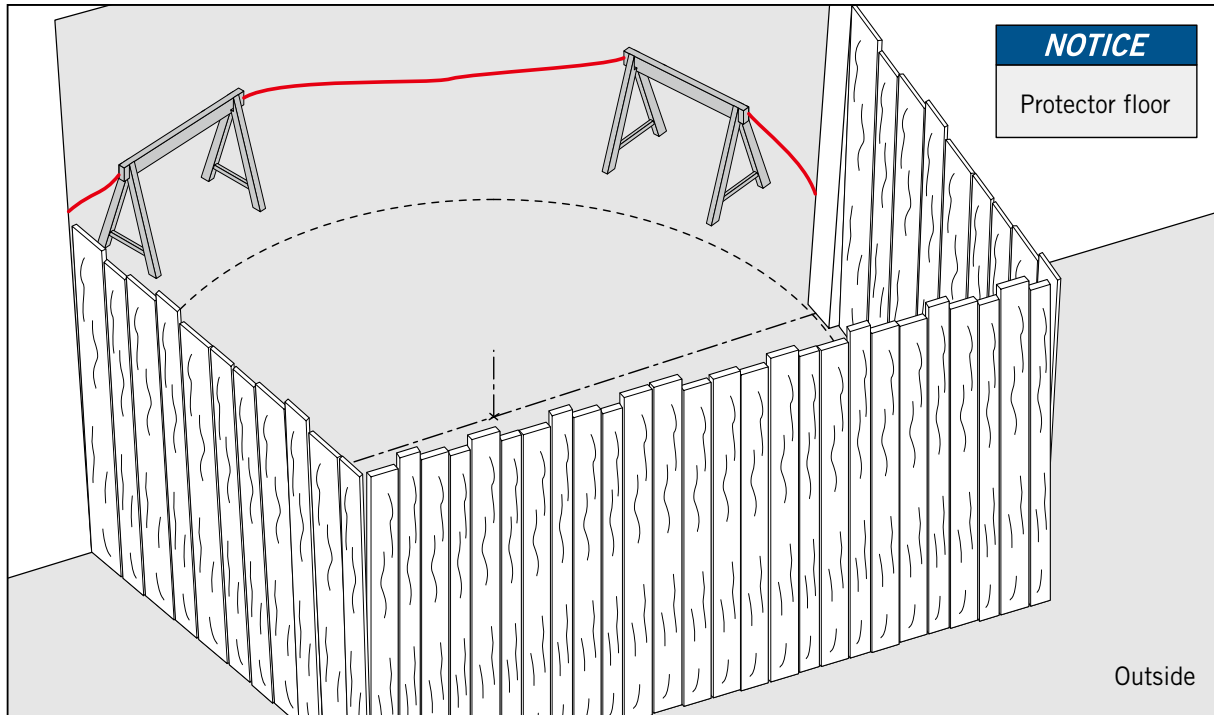
These symbols show the different tools.

	Marking		Fixing
	Leading		Fixing, hold on
	Dimensional check		Removing foil
	Leveling		Litter
	Adjusting		Silicone spray
	Loctite middle		Silicone
	Nm Hand-tight		

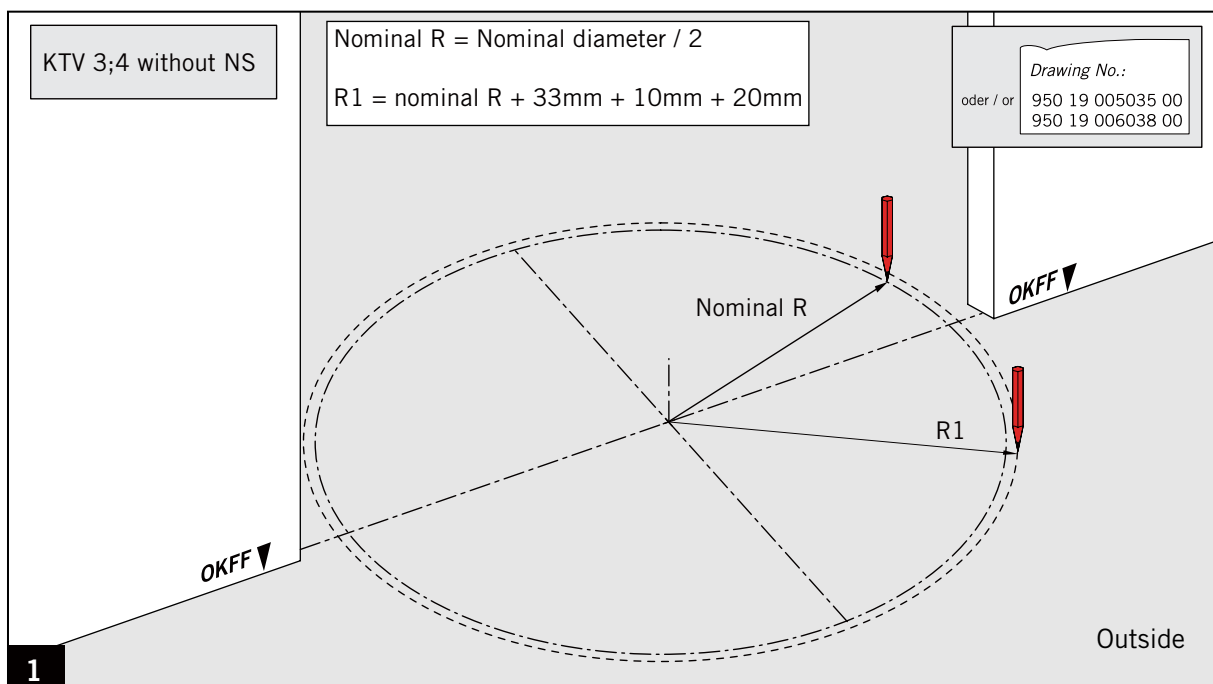
These symbols indicate the individual steps.

KTV-FLEX DIRECT DRIVE

Mounting on finish floor



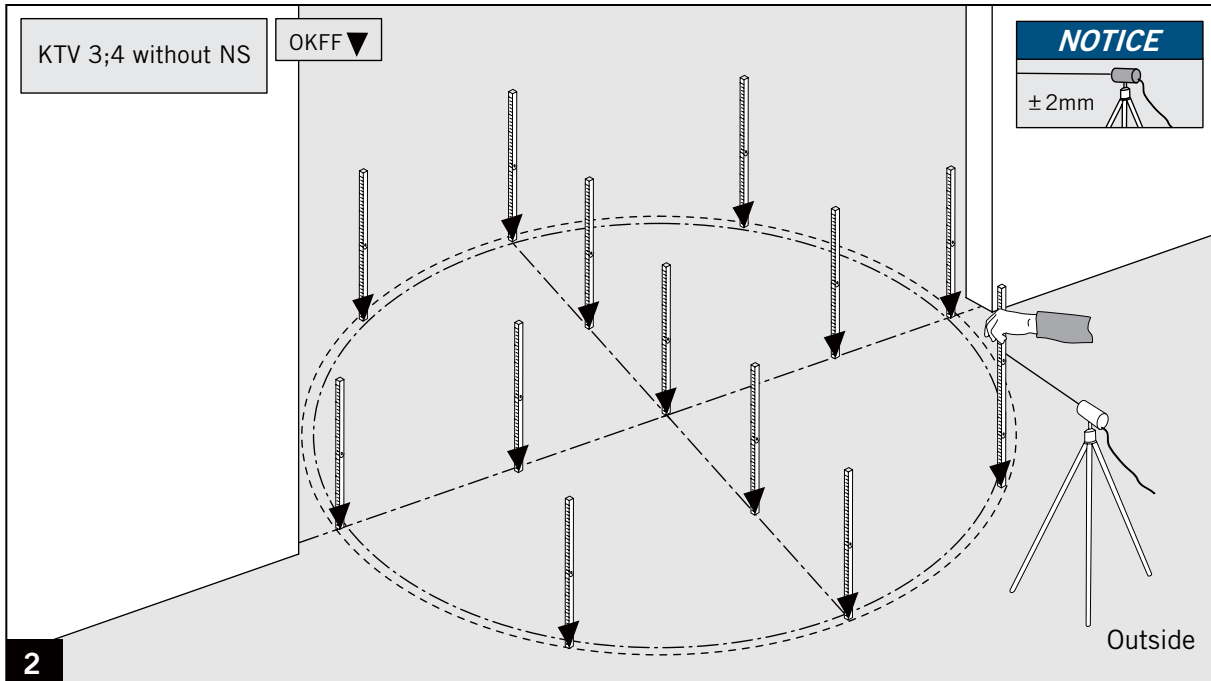
► Cordon off the area.



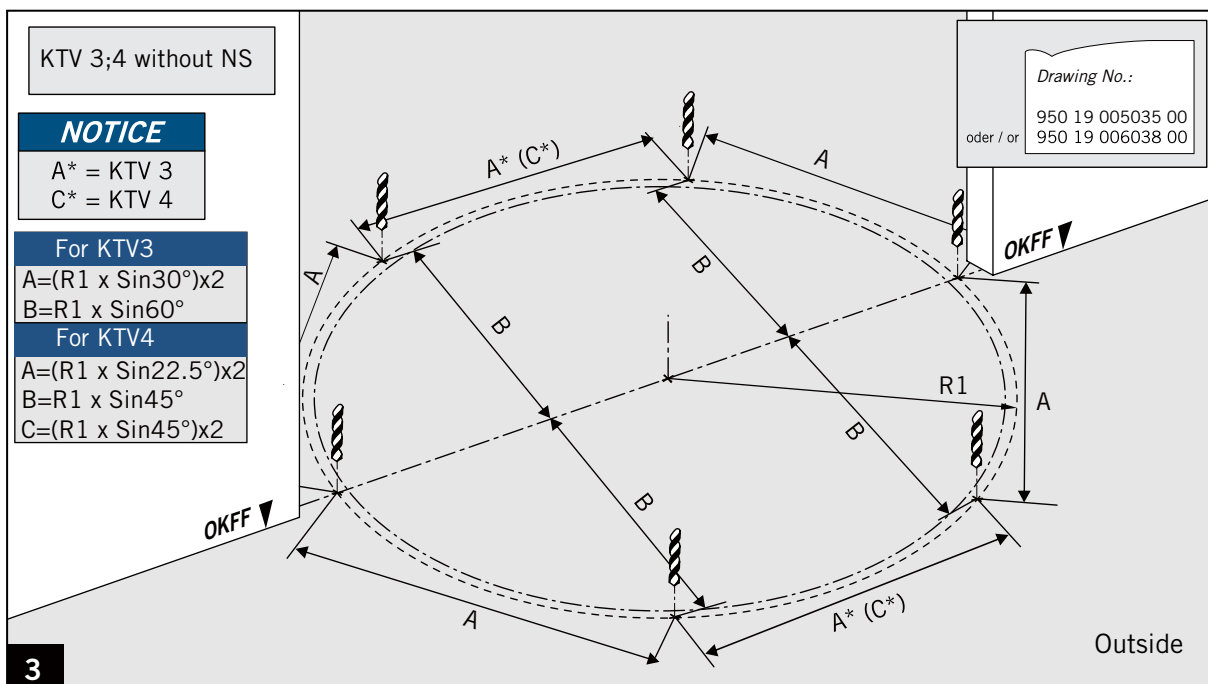
► Define centre of the door and draw radiuses.

KTV-FLEX DIRECT DRIVE

Mounting on finish floor



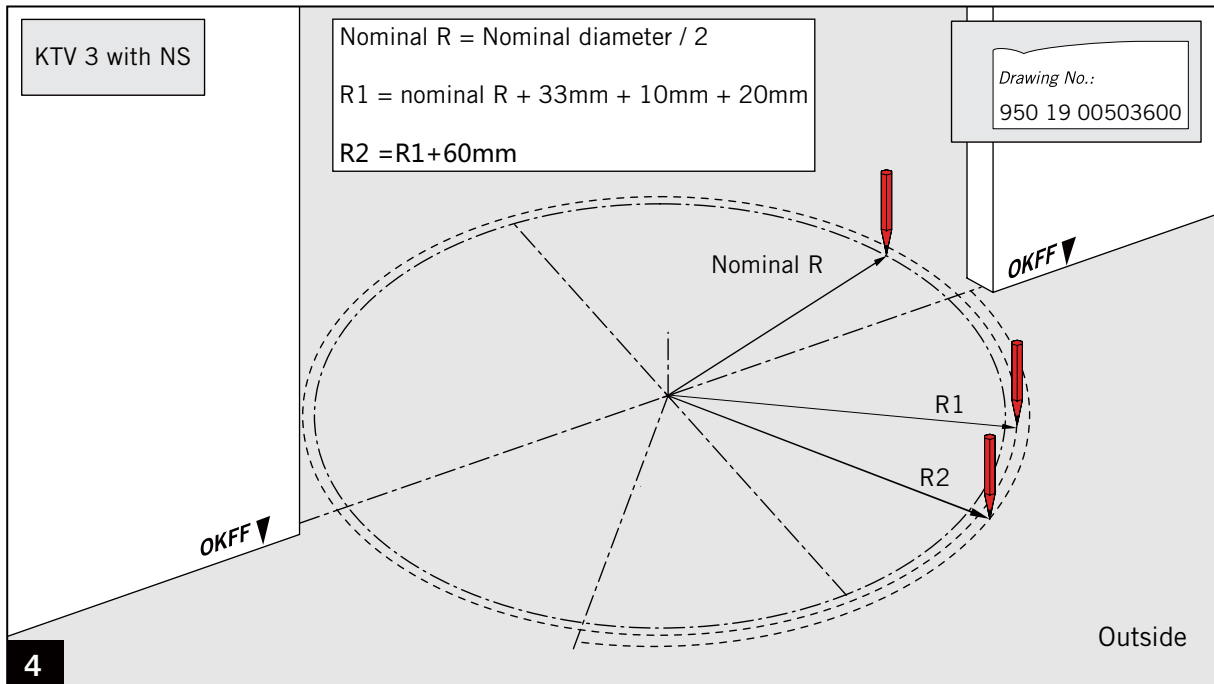
► Check finish floor like shown in the picture.



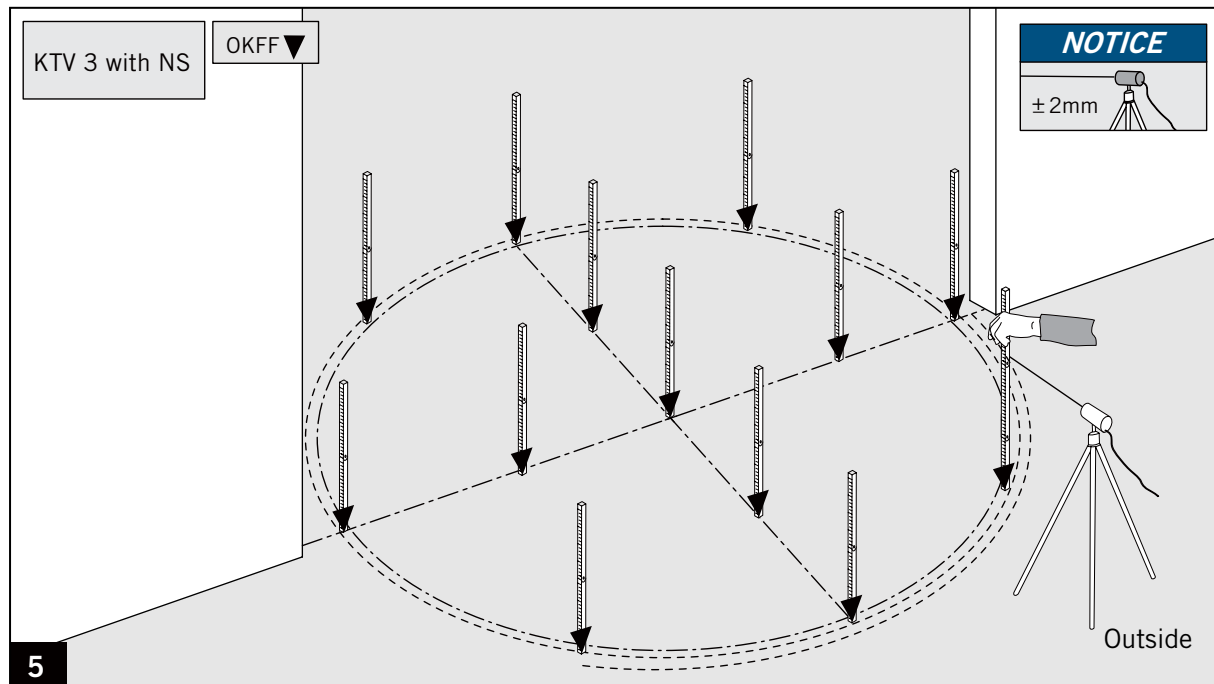
► Copy dimensions from the drawings to the finish floor.

KTV-FLEX DIRECT DRIVE

Mounting on finish floor



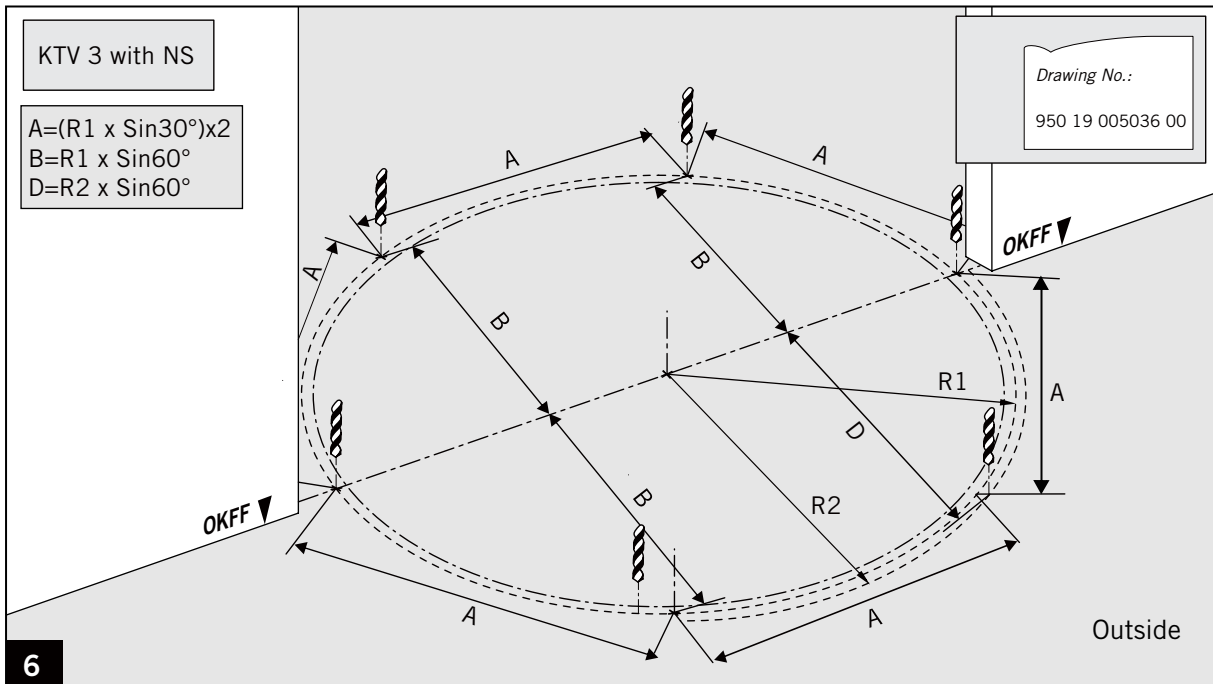
► Define centre of the door and draw radiuses.



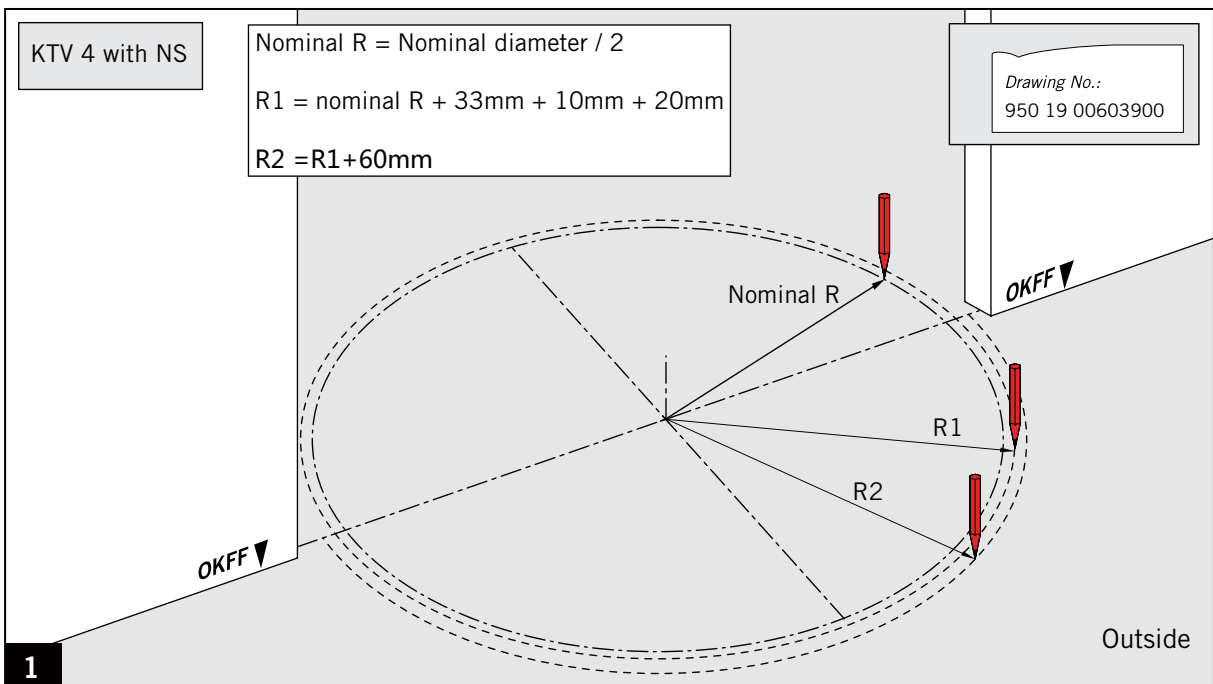
► Check finish floor like shown in the picture.

KTV-FLEX DIRECT DRIVE

Mounting on finish floor



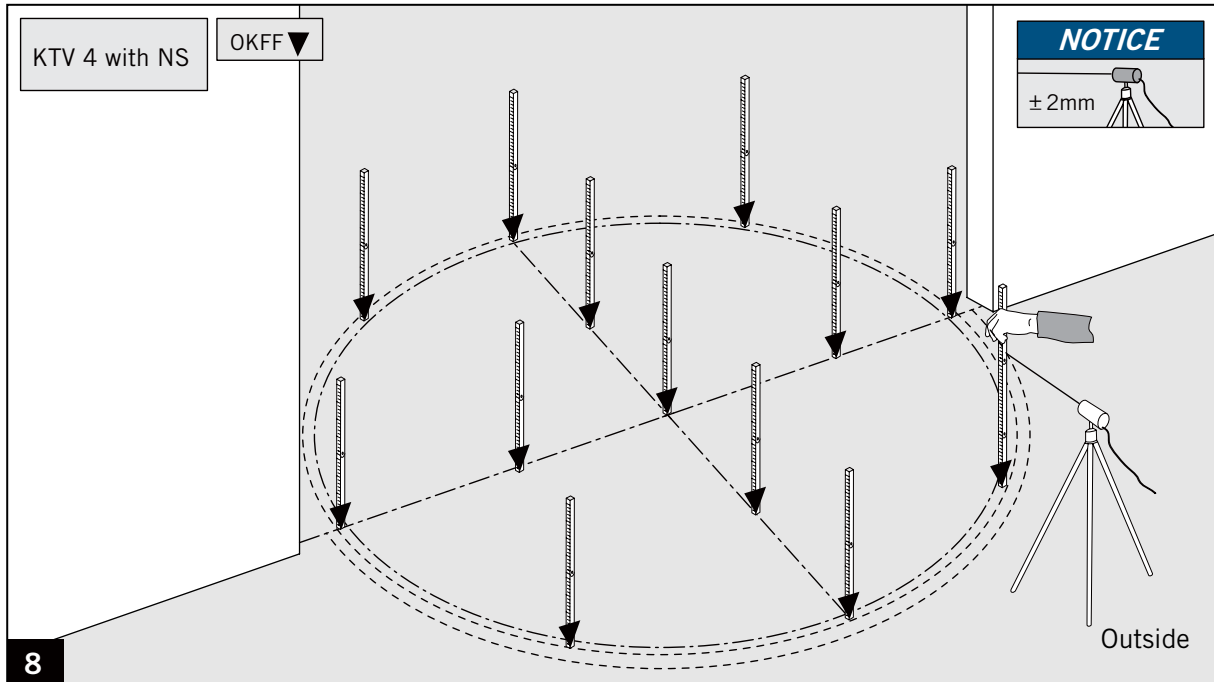
► Copy dimensions from the drawings to the finish floor



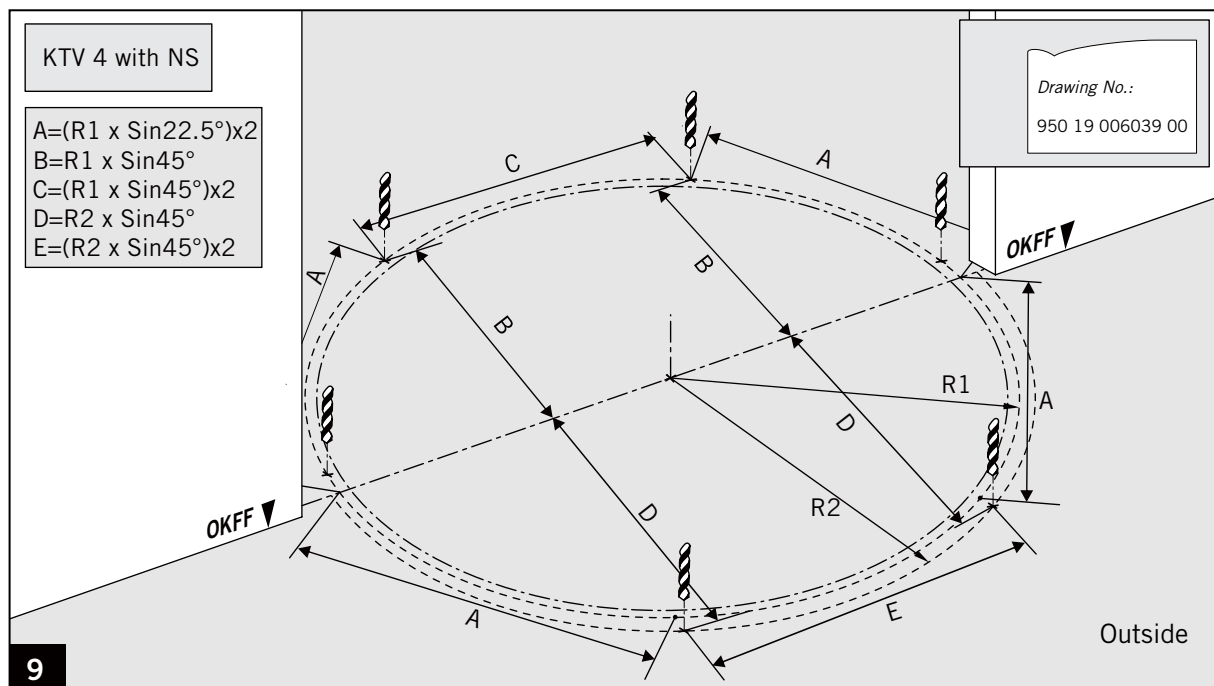
► Define centre of the door and draw radiuses.

KTV-FLEX DIRECT DRIVE

Mounting on finish floor



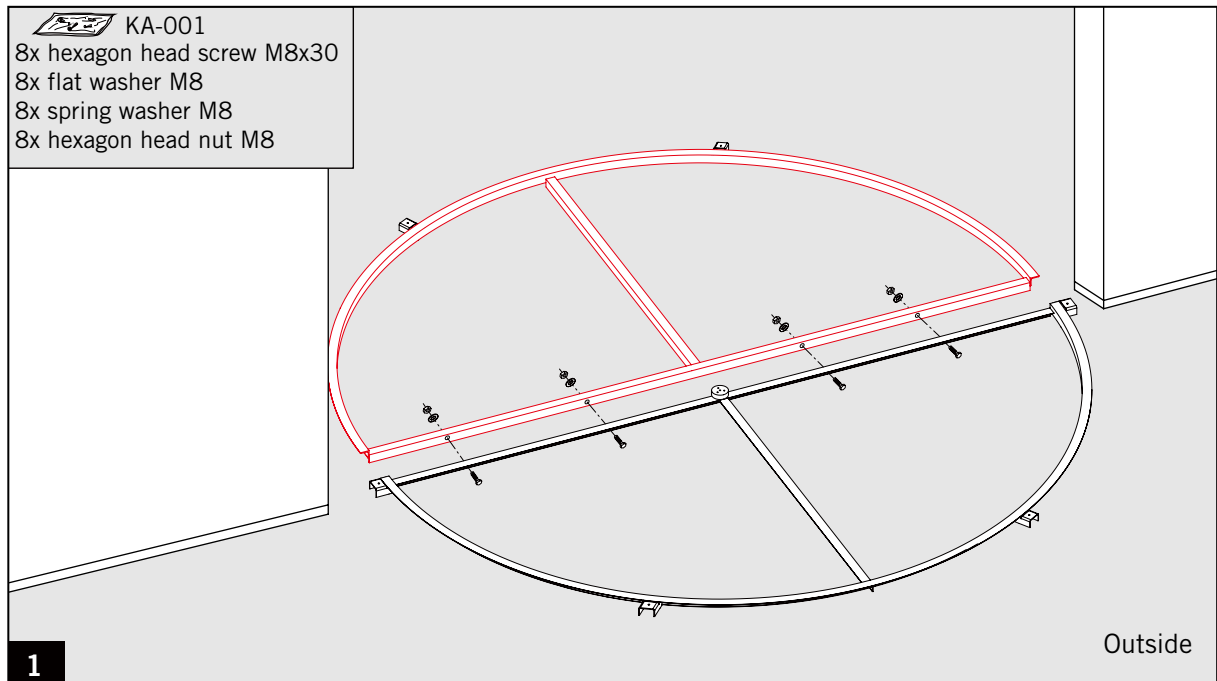
► Check finish floor like shown in the picture.



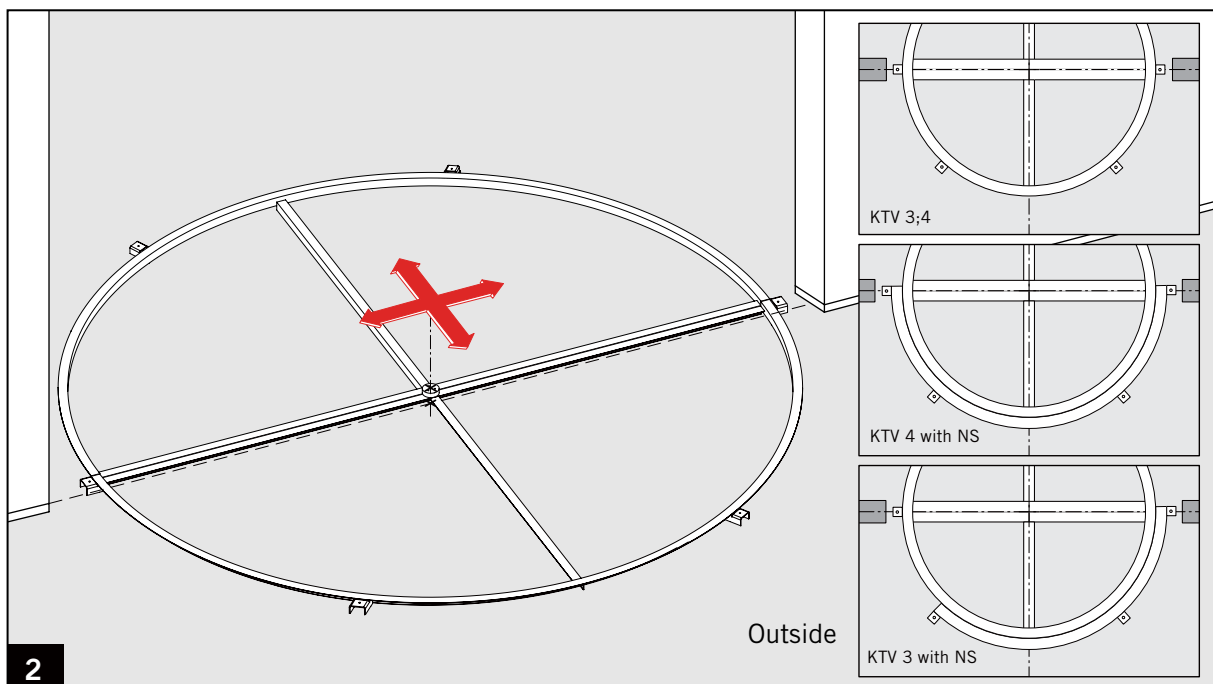
► Copy dimensions from the drawings to the finish floor

KTV-FLEX DIRECT DRIVE

Mounting of Floor ring



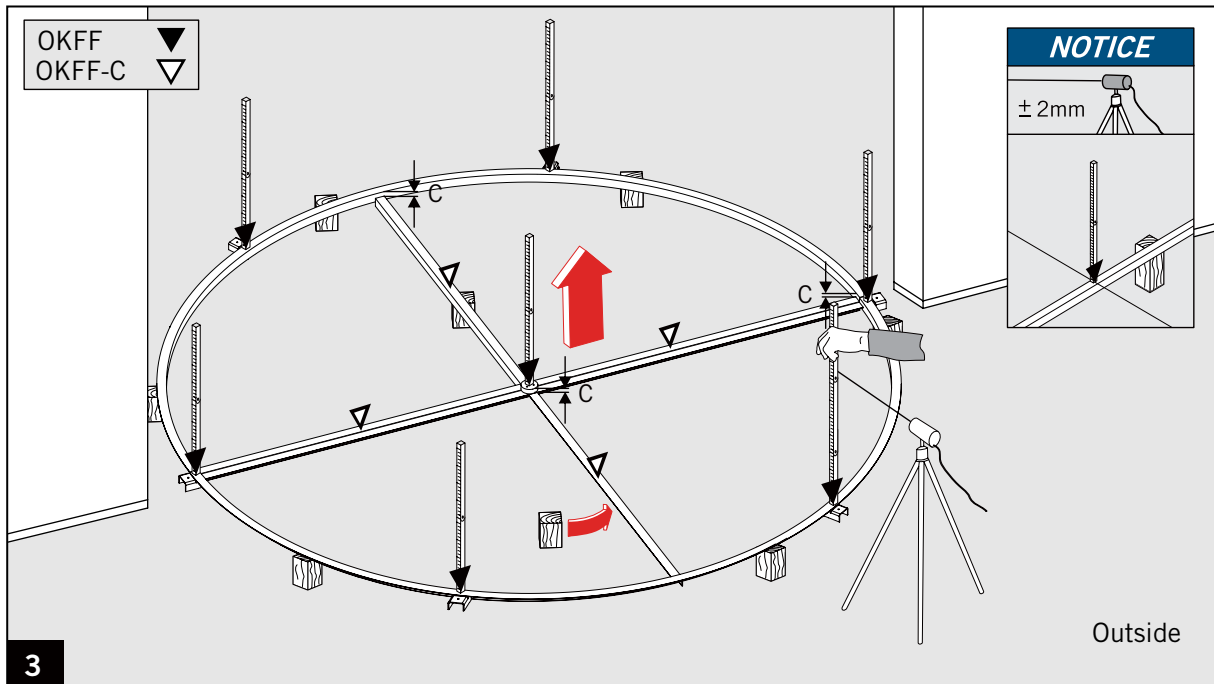
► Place elements and screw them together.



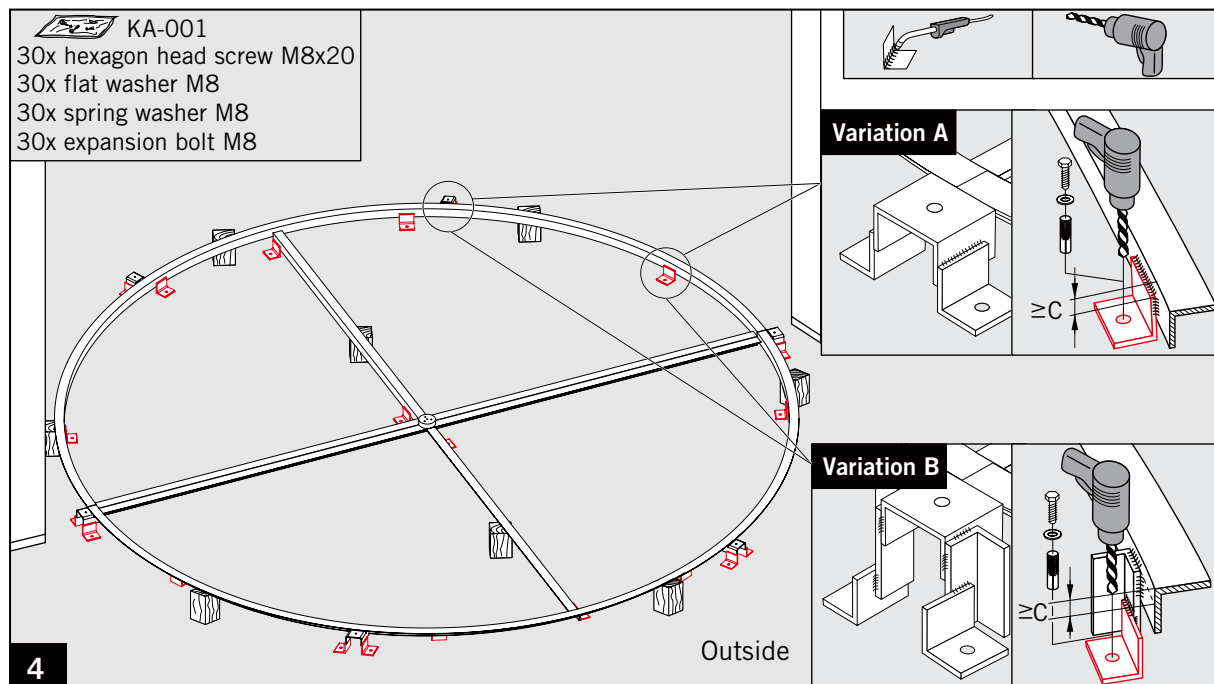
► Centre floor ring and align it to the horizontal and vertical middle axis.

KTV-FLEX DIRECT DRIVE

Mounting of Floor ring



► Place elements in the hight, eg. on wood parts, and align them.

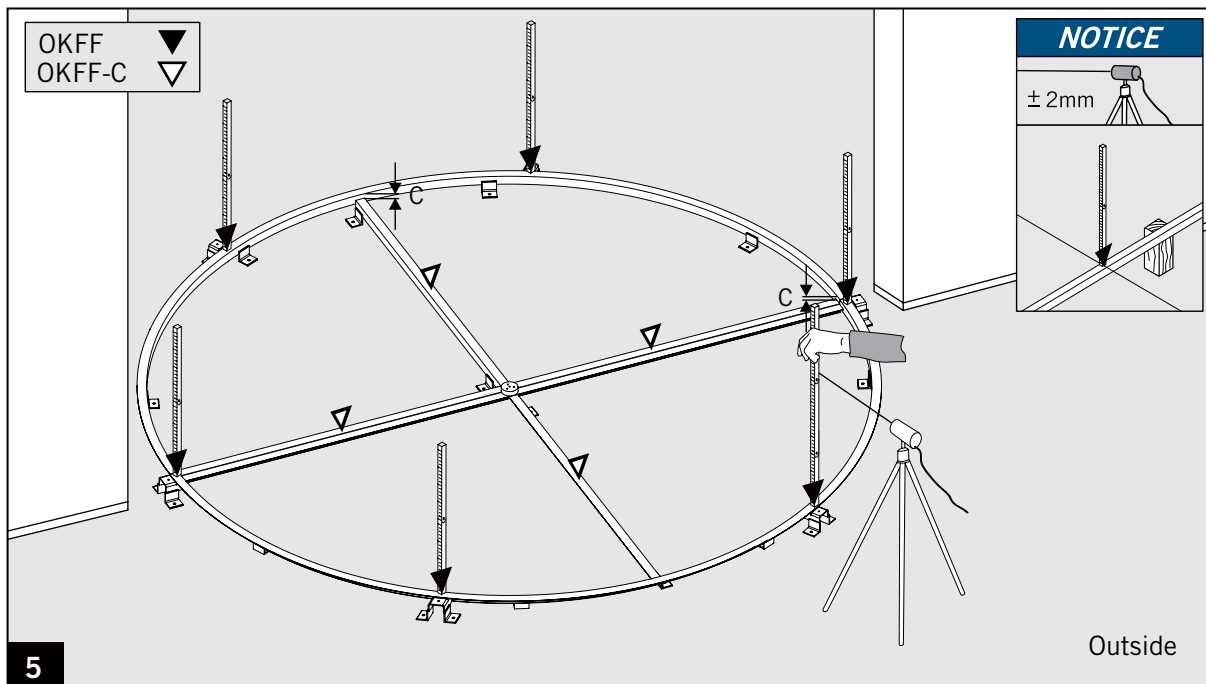


► Choose correct fixing elements and fix them in the floor

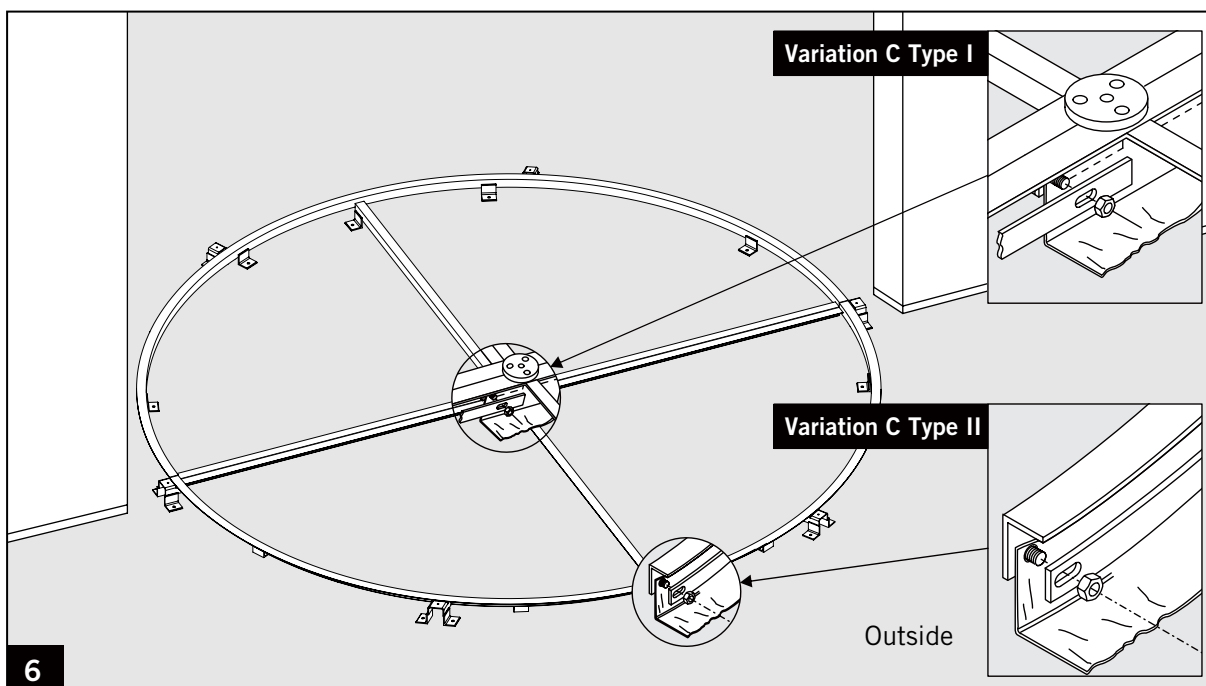


KTV-FLEX DIRECT DRIVE

Mounting of Floor ring



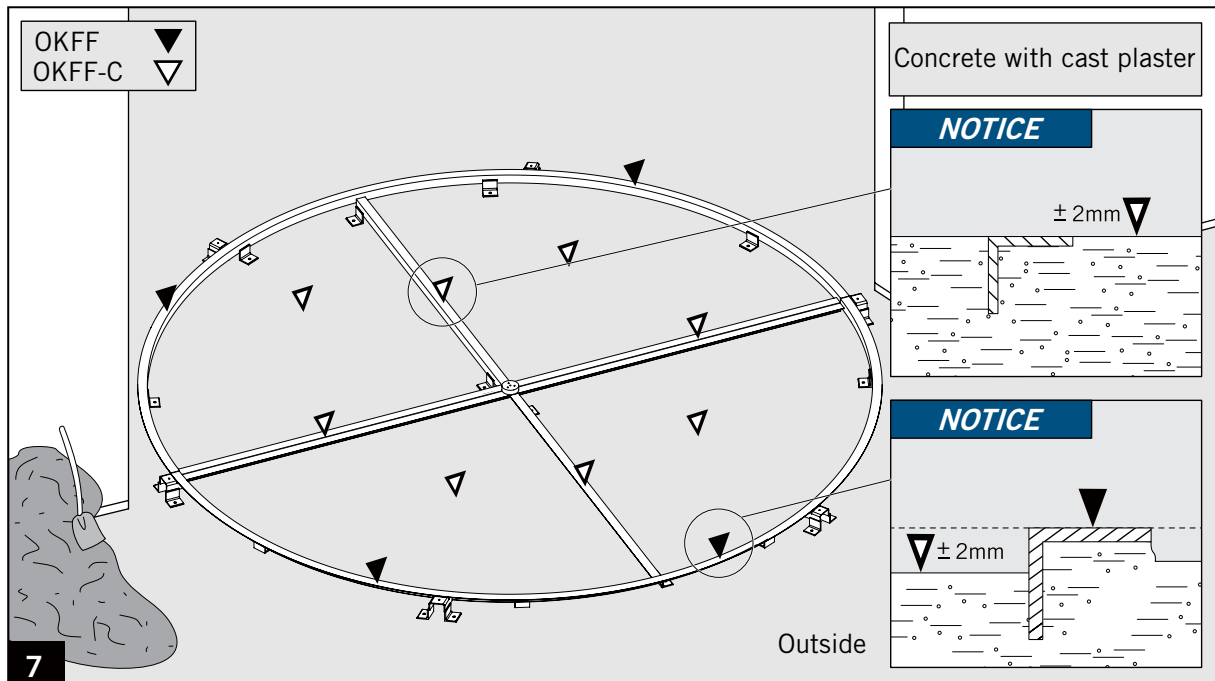
► Check floor ring and align it.



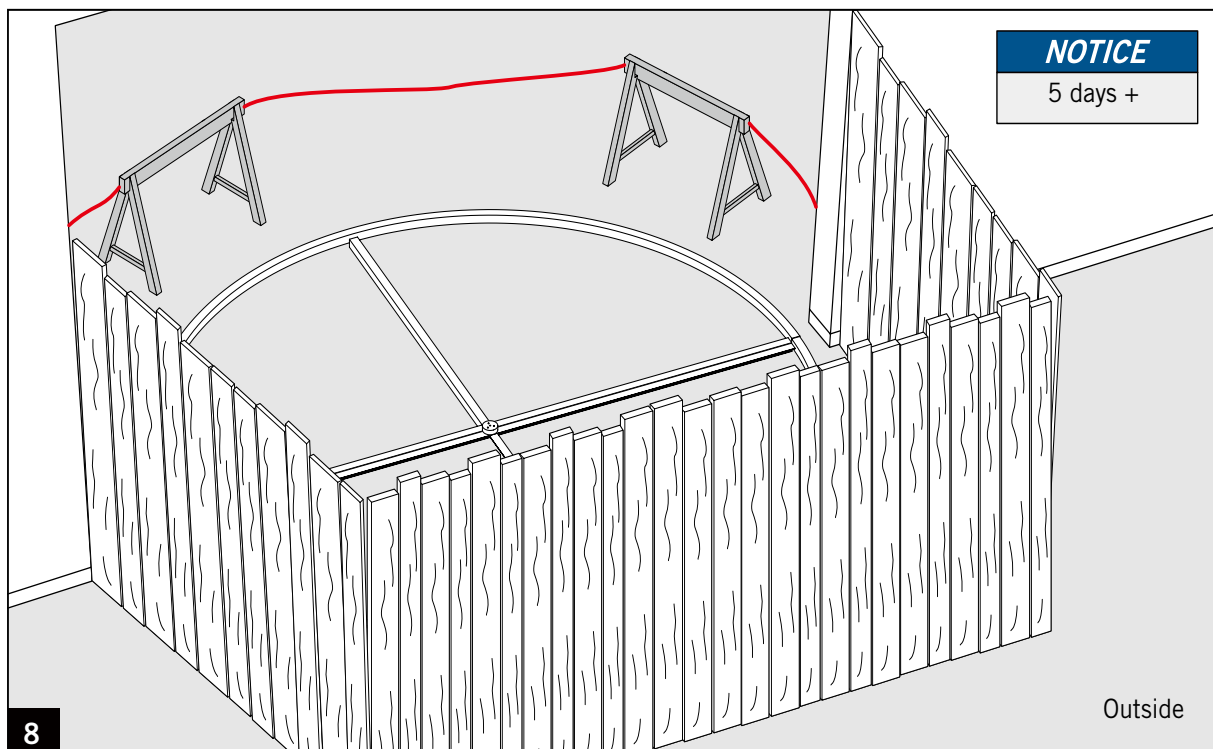
► Option: Floor ring with foil.

KTV-FLEX DIRECT DRIVE

Mounting of Floor ring



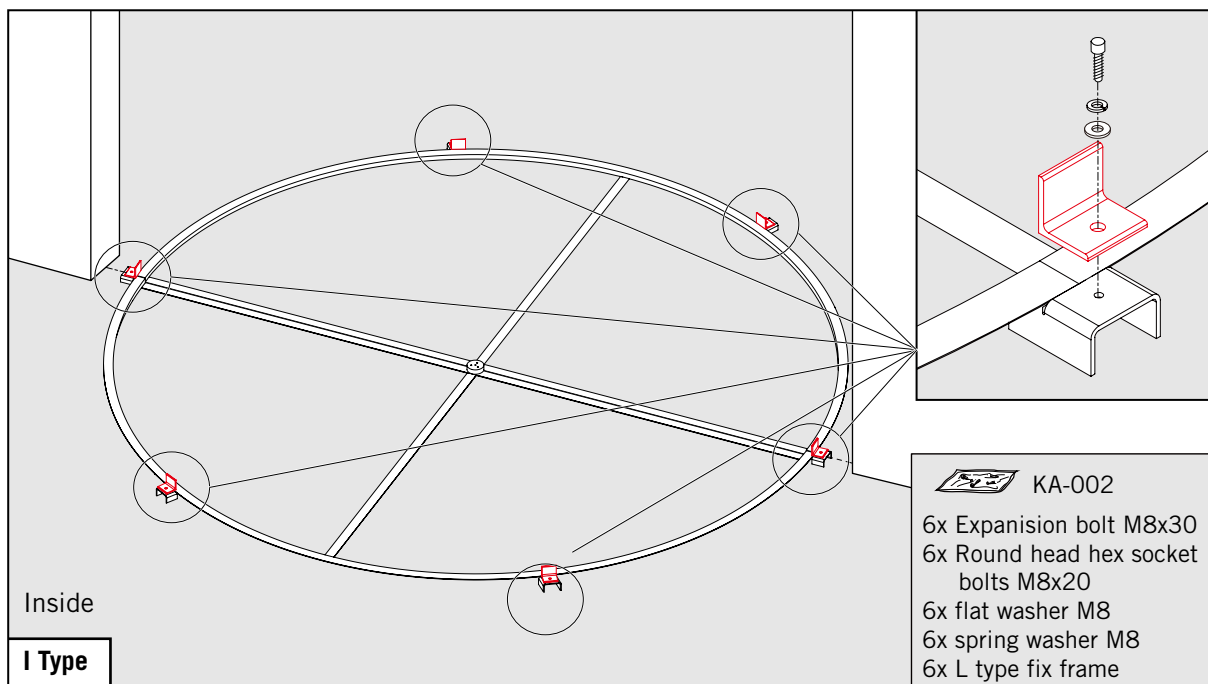
► Fill floor ring with concrete.



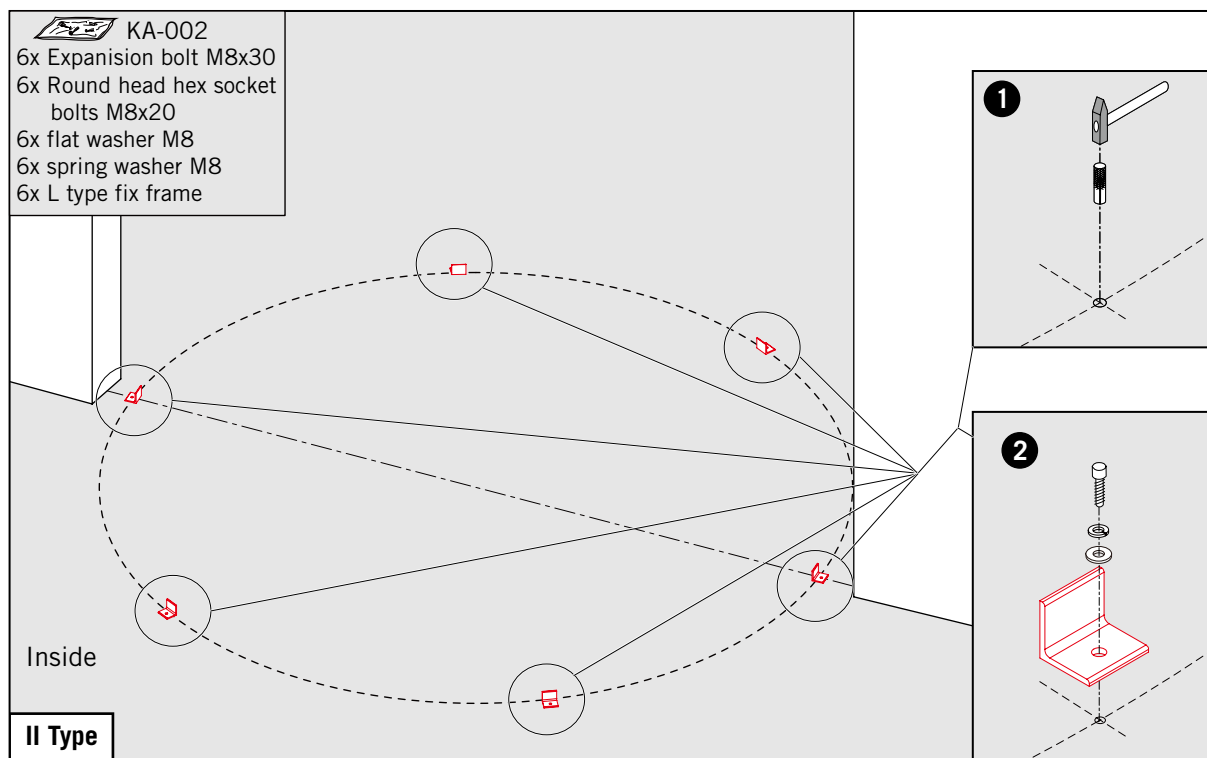
► Block construction site - drying time 5 days.

KTV-FLEX DIRECT DRIVE

Preparation for mounting of canopy



► Fix post brackets on floor ring.

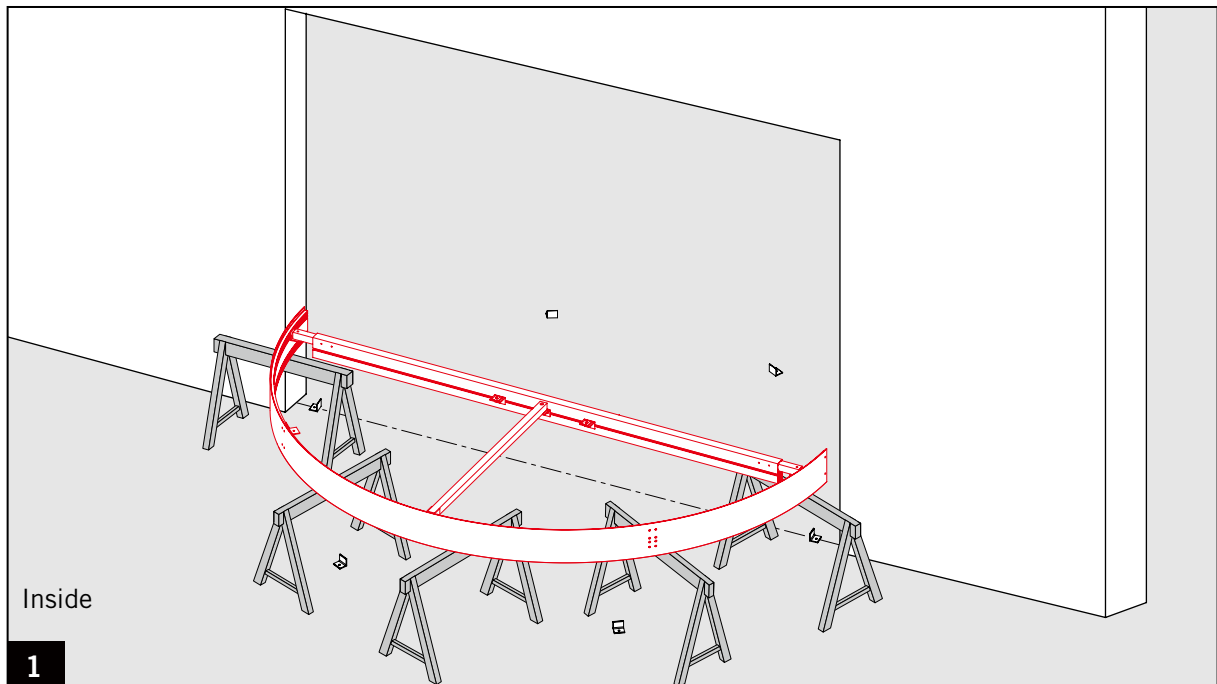


► Fix post brackets on ground (without floor ring).



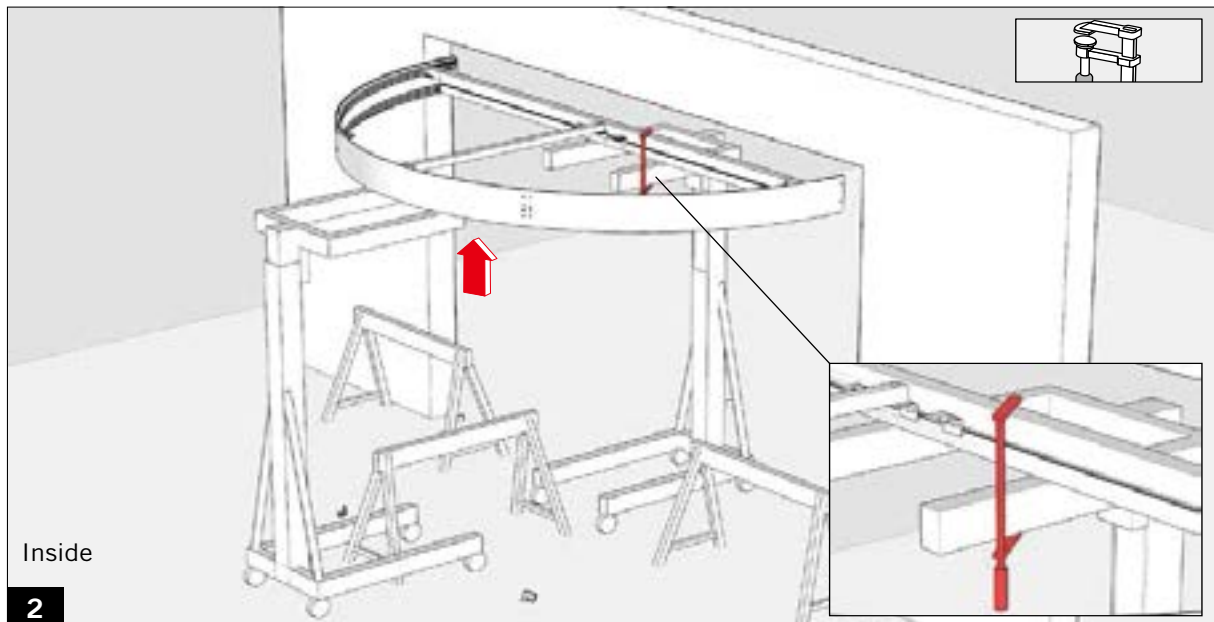
KTV-FLEX DIRECT DRIVE

Mounting the girder and canopy



1

► Put the canopy on trestles



2

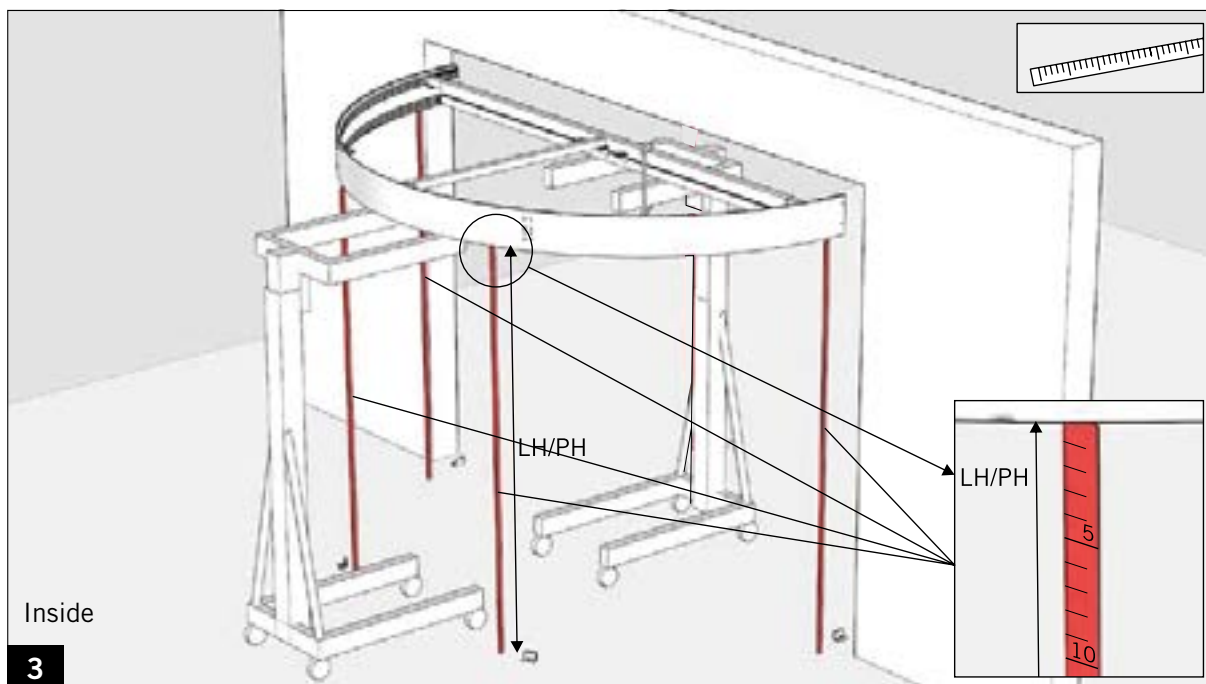
► Use a lifting device to lift and align the canopy.



Secure the canopy against falling!
Never stay under the canopy without suitable means of protection.

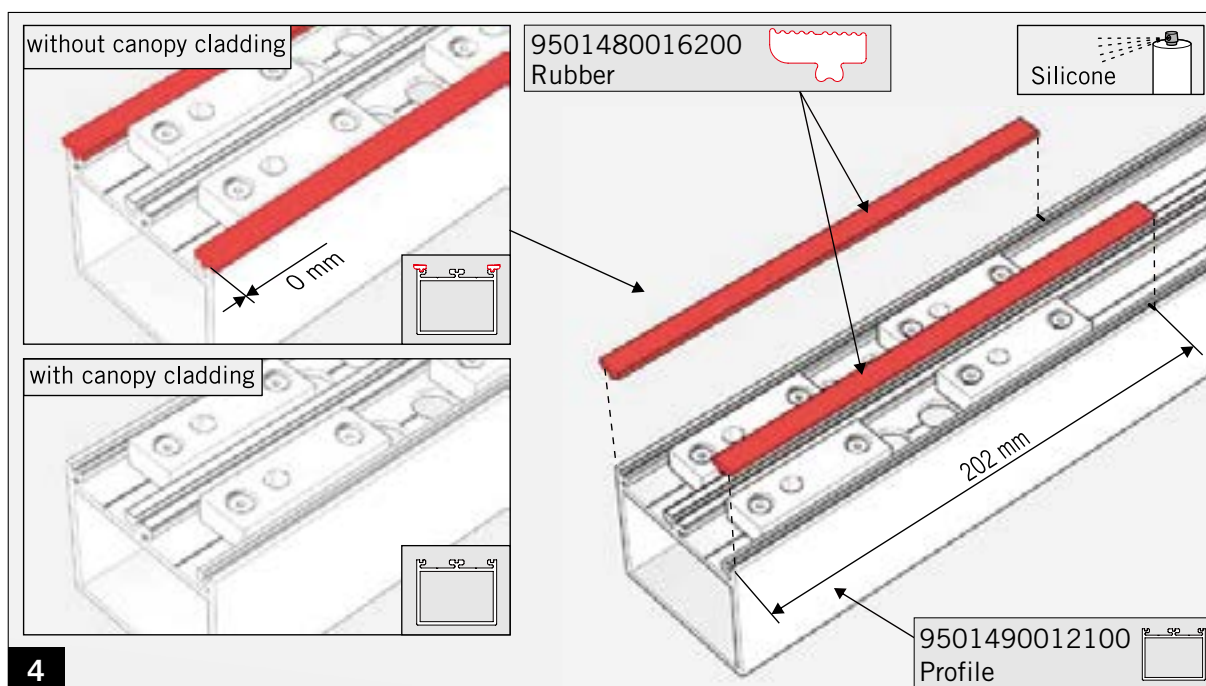
KTV-FLEX DIRECT DRIVE

Mounting the girder and canopy



► Lift the canopy to the indicated height (LH/PH) and level it. Also look at the technical drawing.

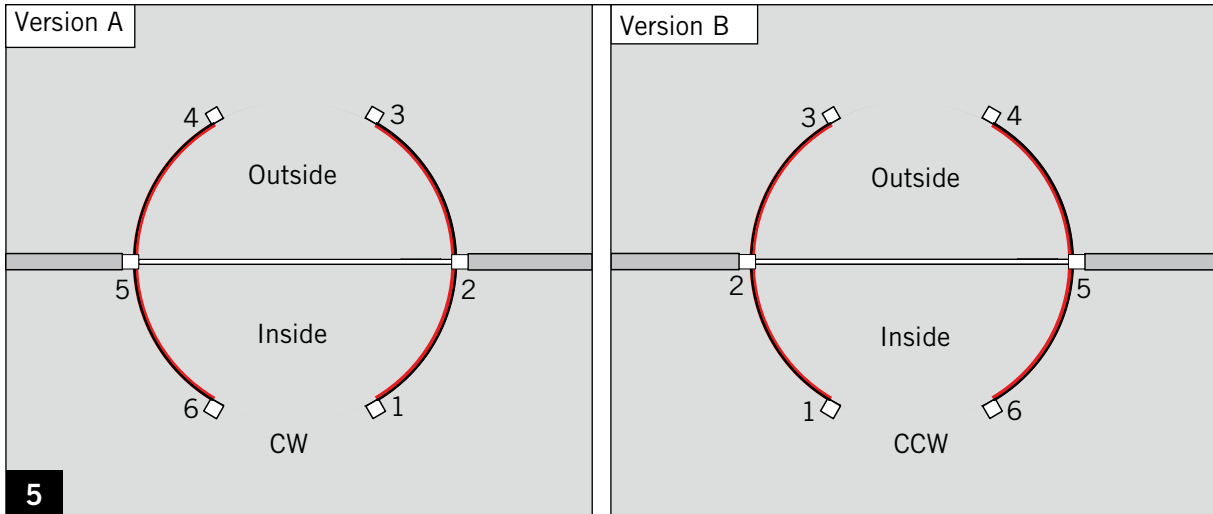
Secure the canopy against falling!
Never stay under the canopy without suitable means of protection.



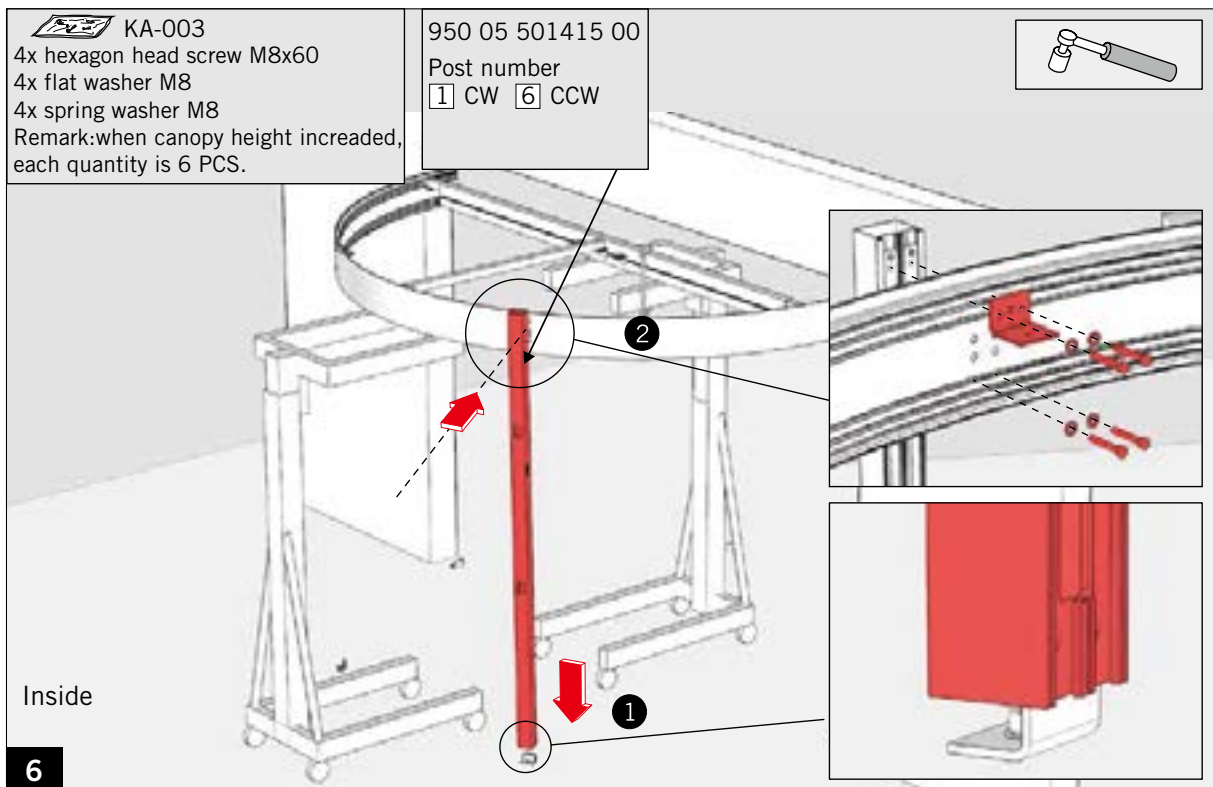
► Only for versions without stainless steel cover: Mount the intermediate layer.

KTV-FLEX DIRECT DRIVE

Mounting the girder and canopy



5
▶ Numbers for post.



6
▶ Assemble the first upright door post. Fix with screws.

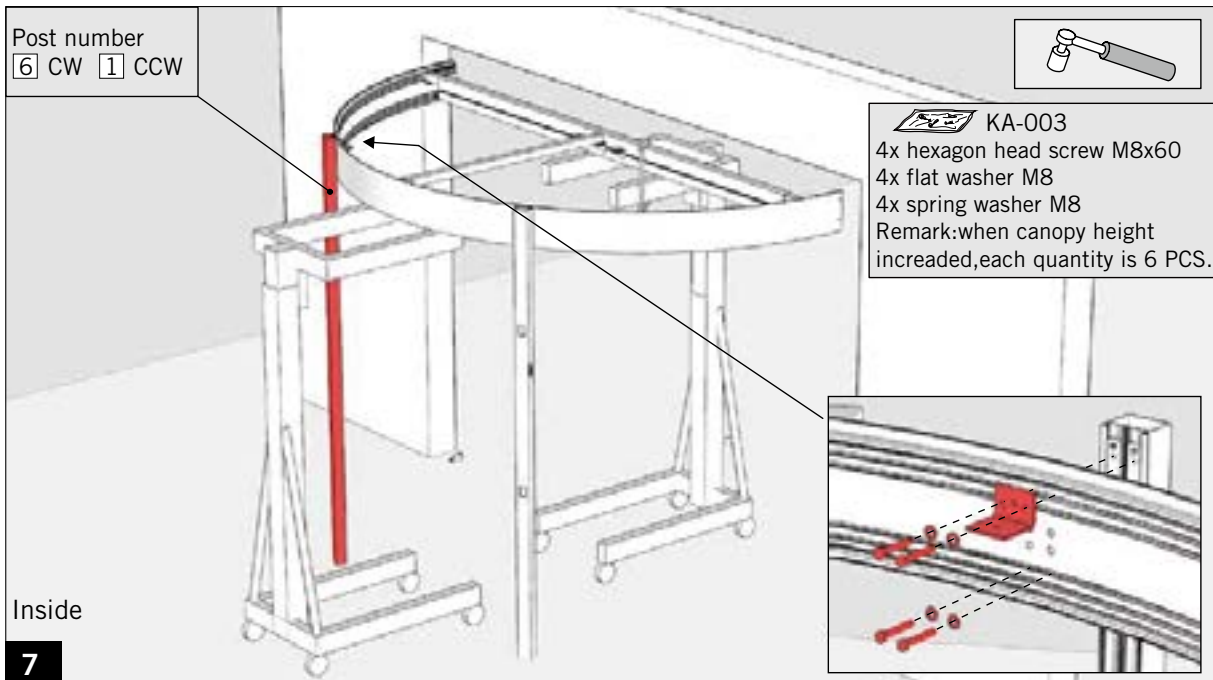


Secure the canopy against falling!
Never stay under the canopy without suitable means of protection.



KTV-FLEX DIRECT DRIVE

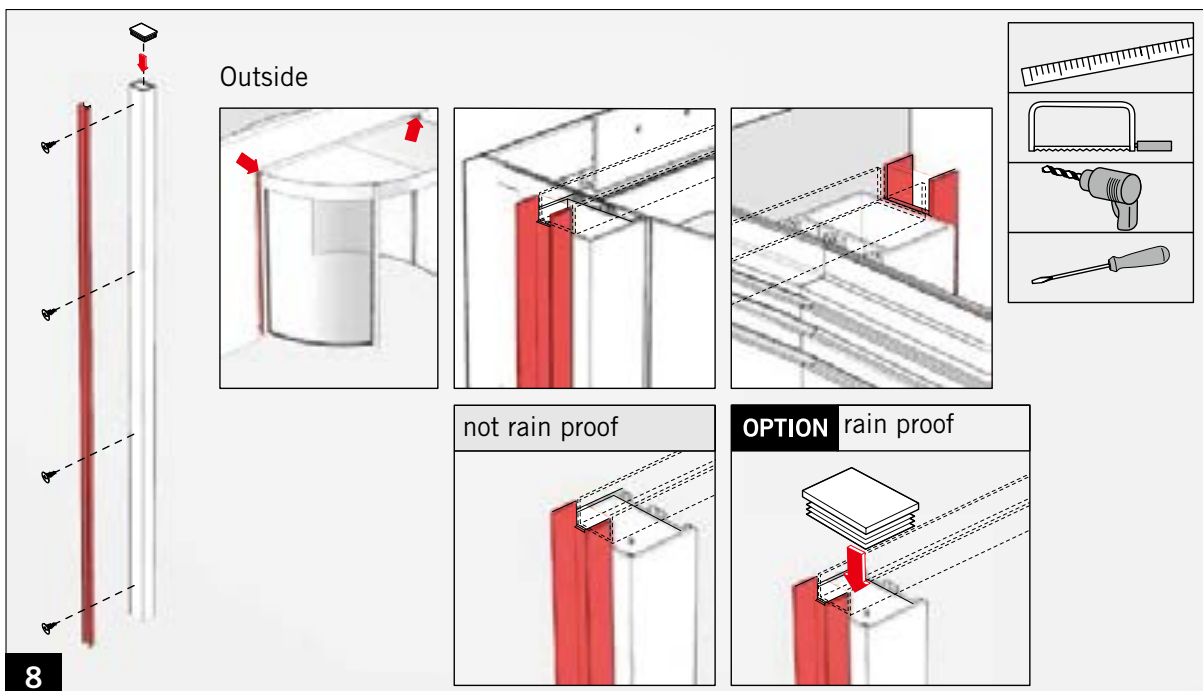
Mounting the girder and canopy



► Mount the second door post .



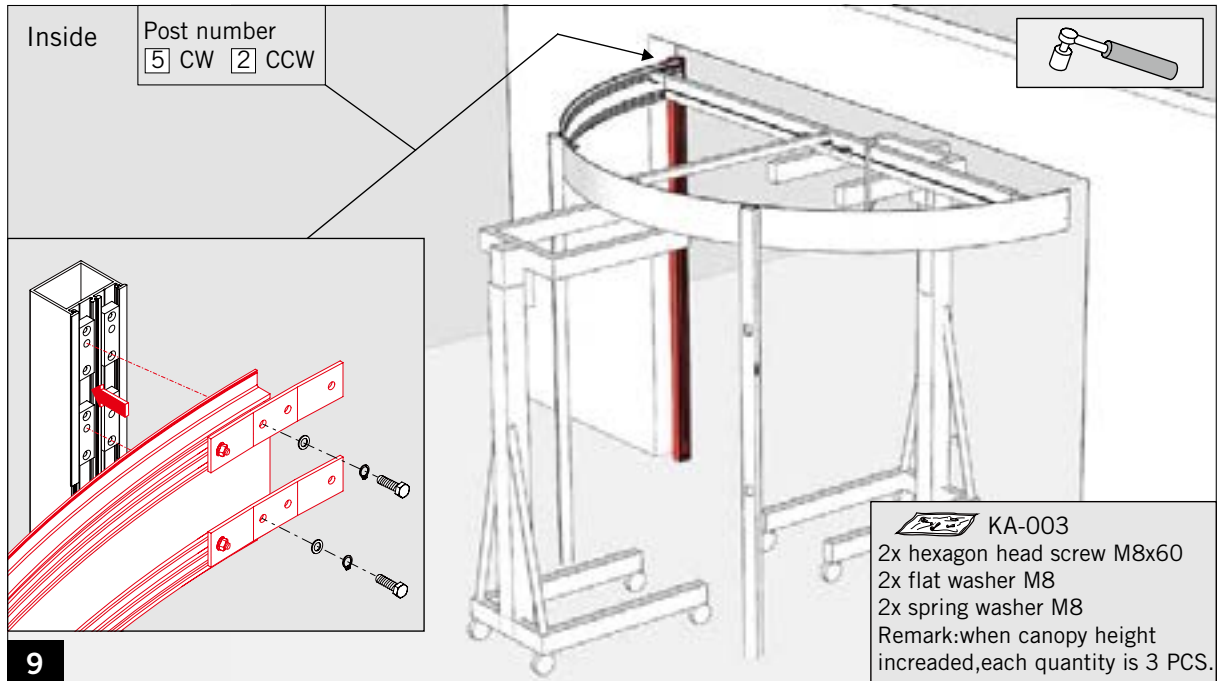
Secure the canopy against falling!
 Never stay under the canopy without suitable means of protection.



► Preparing the facade connection. Saw the facade connection to length and drill the required holes. Please find the drilling dimensions in the technical drawing. Attach the facade connection to the third and fourth door posts with screws. If required, fit the optional cover to make the system rain proof.

KTV-FLEX DIRECT DRIVE

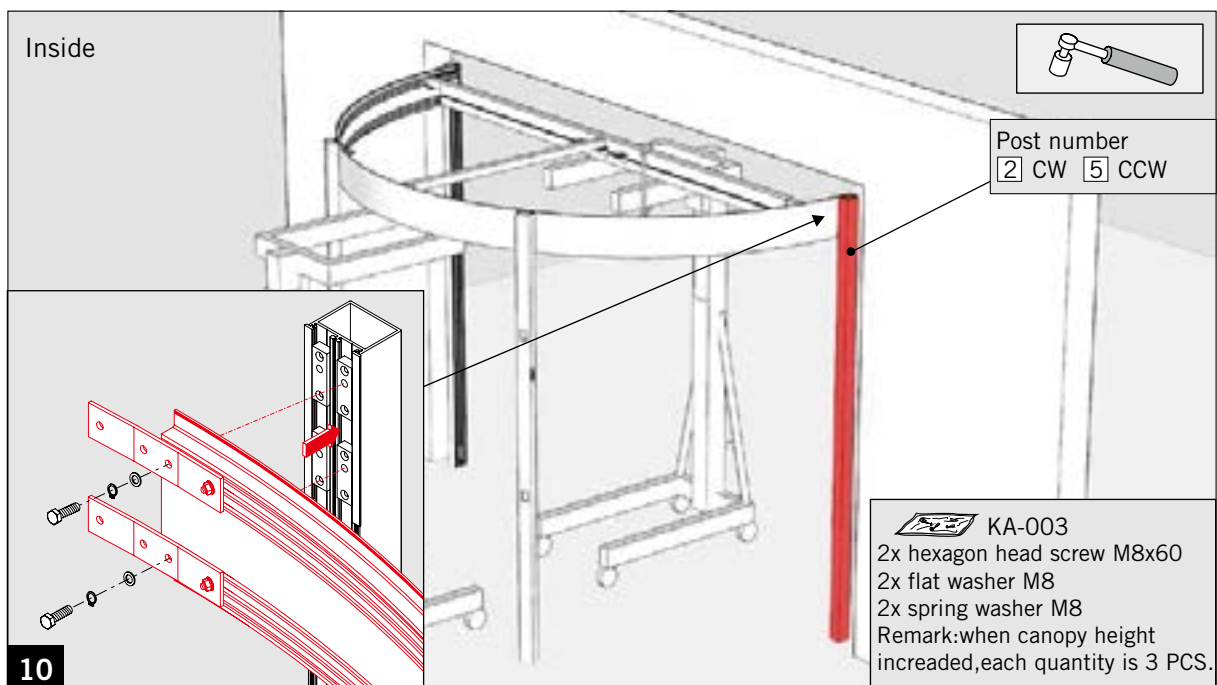
Mounting the girder and canopy



► Mount the third door post.



Secure the canopy against falling!
Never stay under the canopy without suitable means of protection.



► Mount the fourth door post.

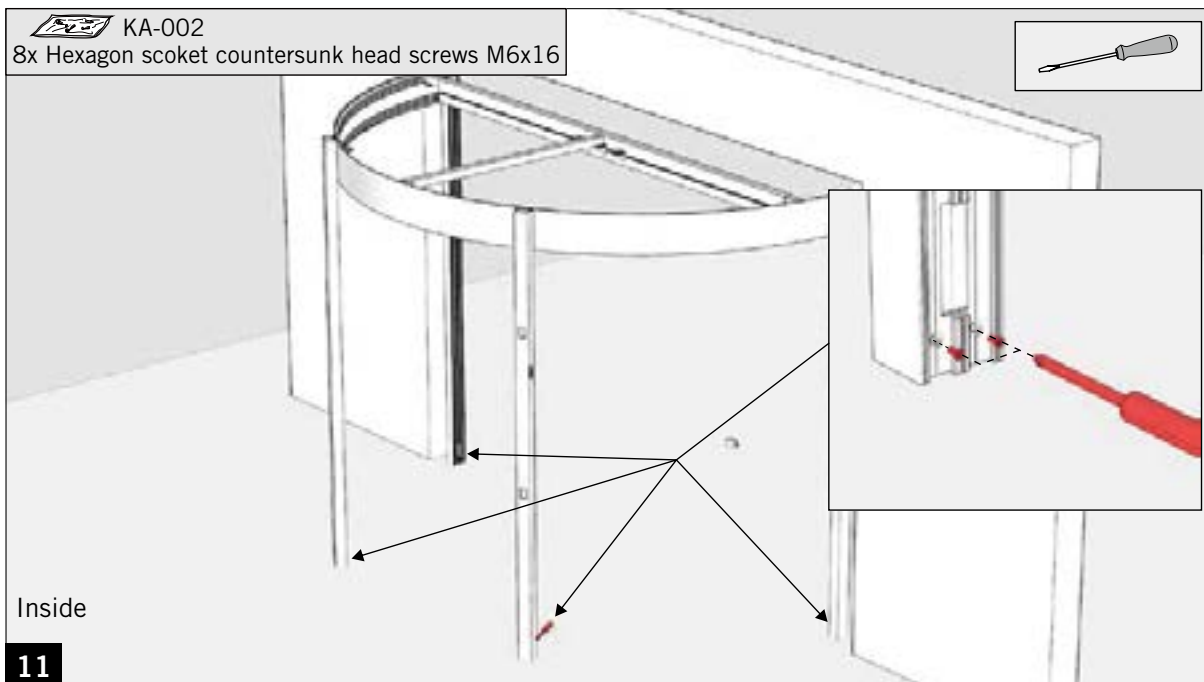


Secure the canopy against falling!
Never stay under the canopy without suitable means of protection.

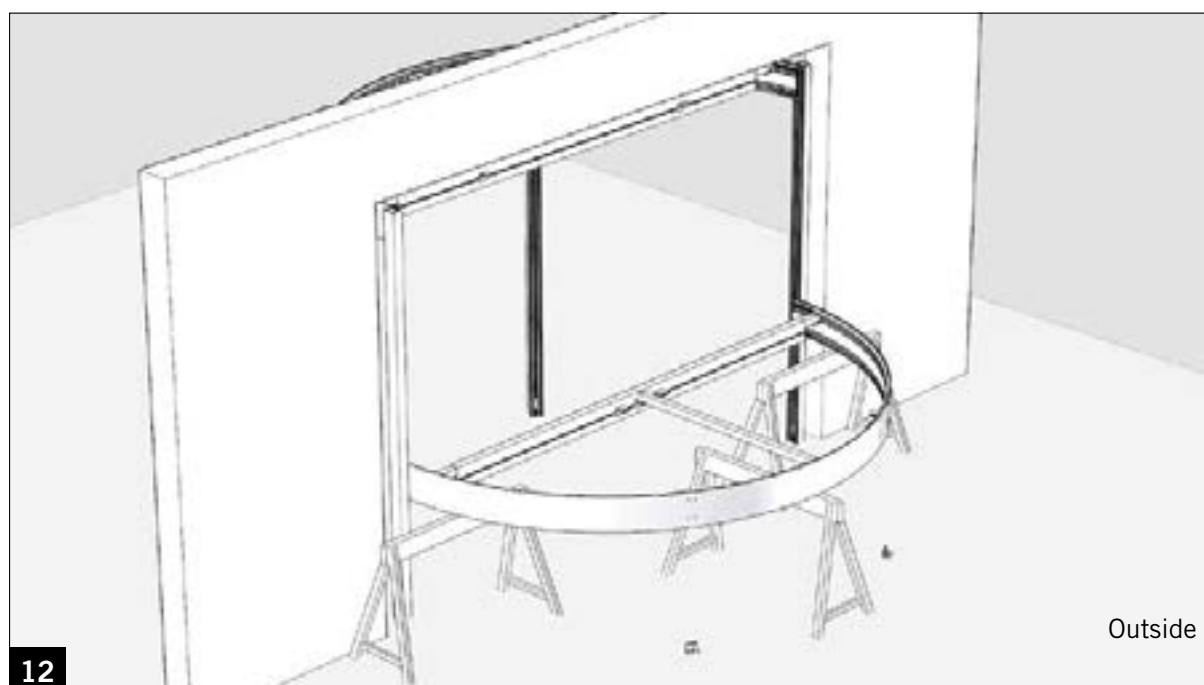


KTV-FLEX DIRECT DRIVE

Mounting the girder and canopy



► Fix the upright door posts to the floor brackets with screws. Screw down hand tight.



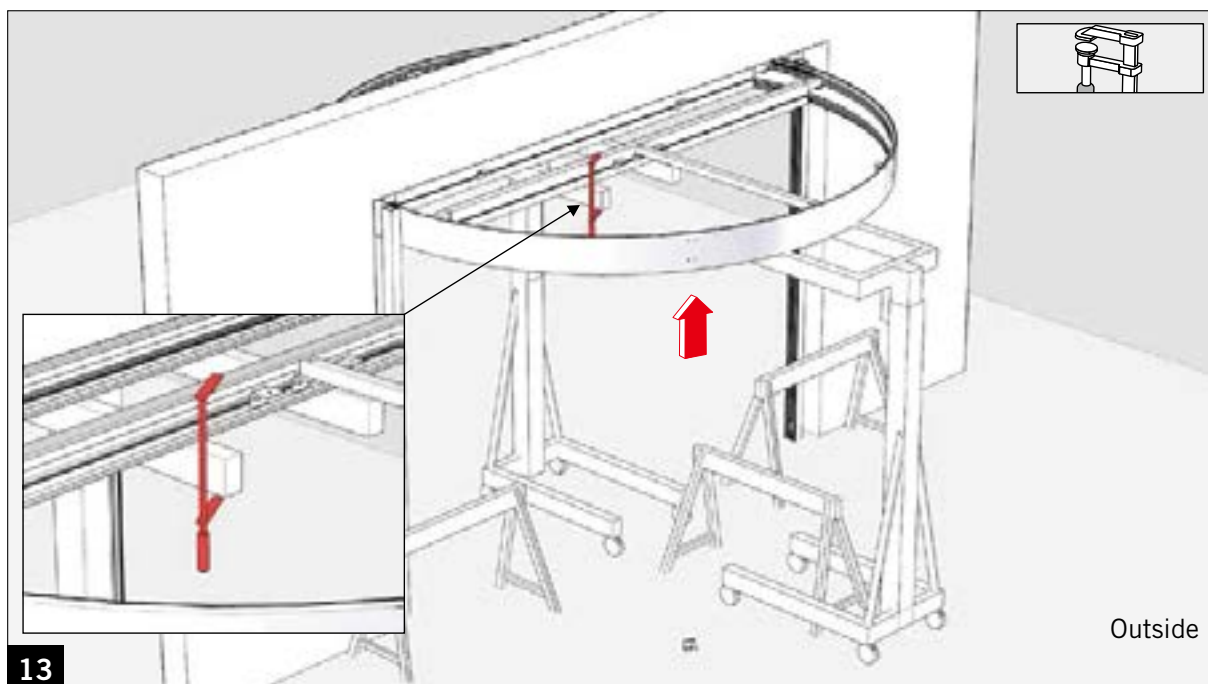
► Put the canopy on trestles.



Be careful, when placing the canopy on the trestles.

KTV-FLEX DIRECT DRIVE

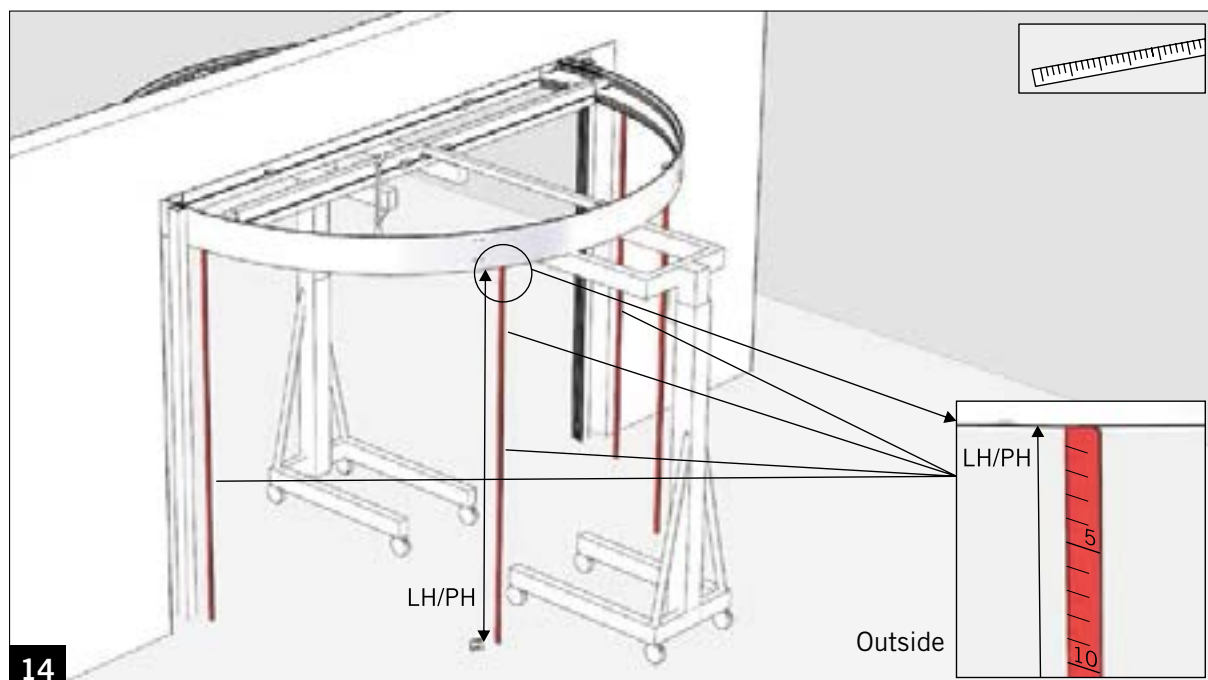
Mounting the girder and canopy



► Use a lifting device to lift and align the canopy.



Secure the canopy against falling!
Never stay under the canopy without suitable means of protection.



► Lift the canopy to the indicated height (LH/PH) and level it. Also look at the technical drawing.

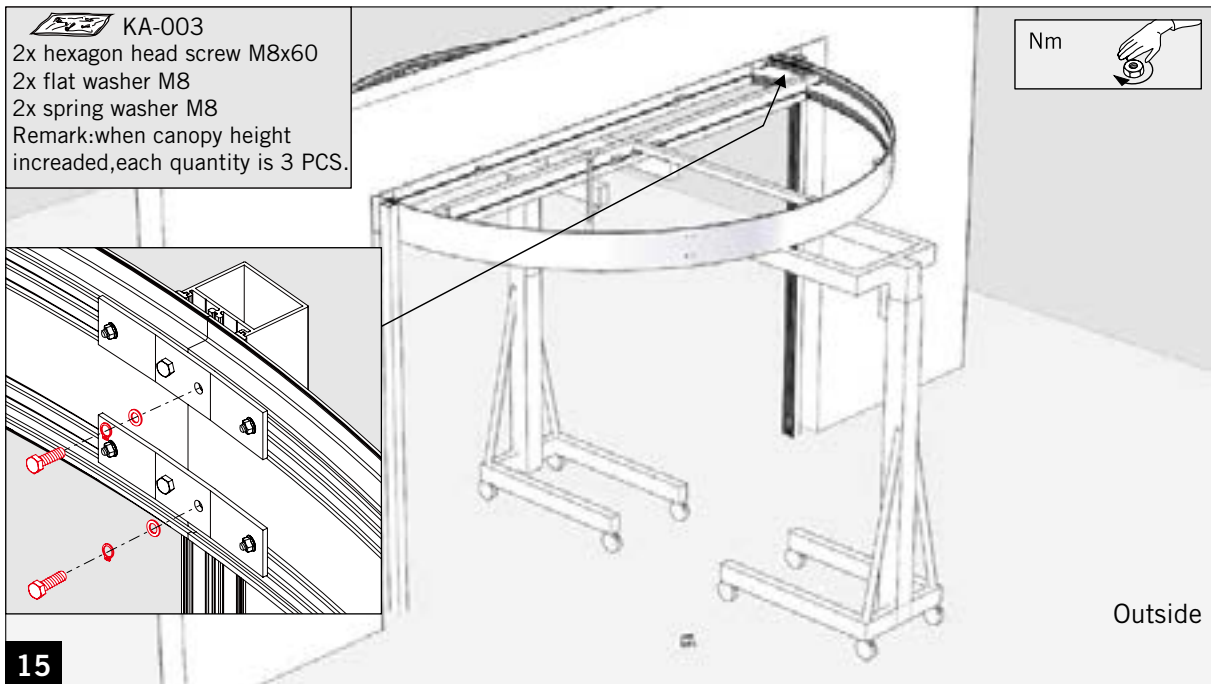


Secure the canopy against falling!
Never stay under the canopy without suitable means of protection.



KTV-FLEX DIRECT DRIVE

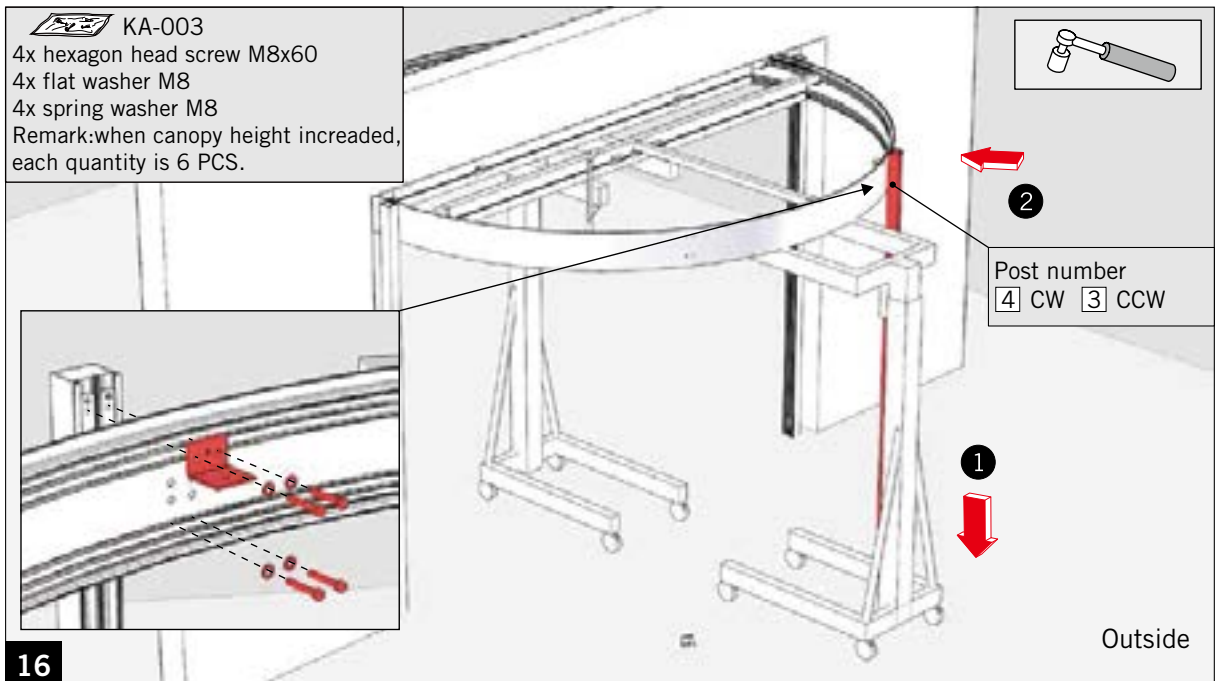
Mounting the girder and canopy



► Screw the canopy down to the third and fourth upright door posts.



Secure the canopy against falling!
Never stay under the canopy without suitable means of protection.



► Mount the fifth door post.

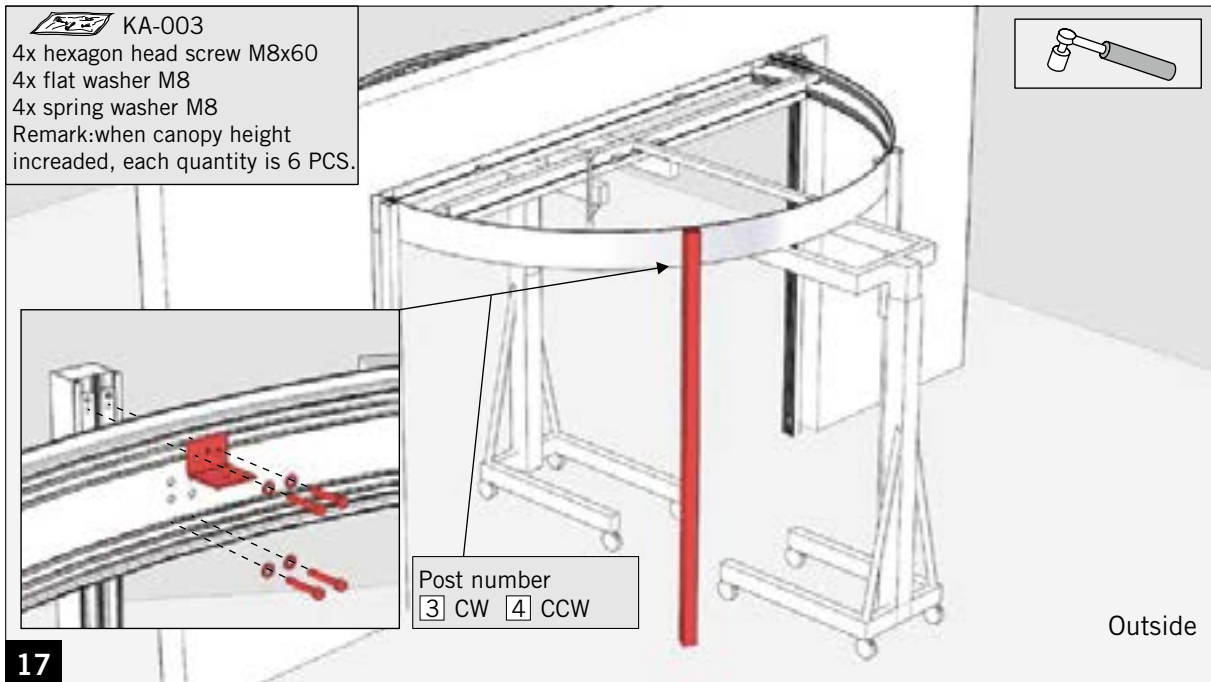


Secure the canopy against falling!
Never stay under the canopy without suitable means of protection.



KTV-FLEX DIRECT DRIVE

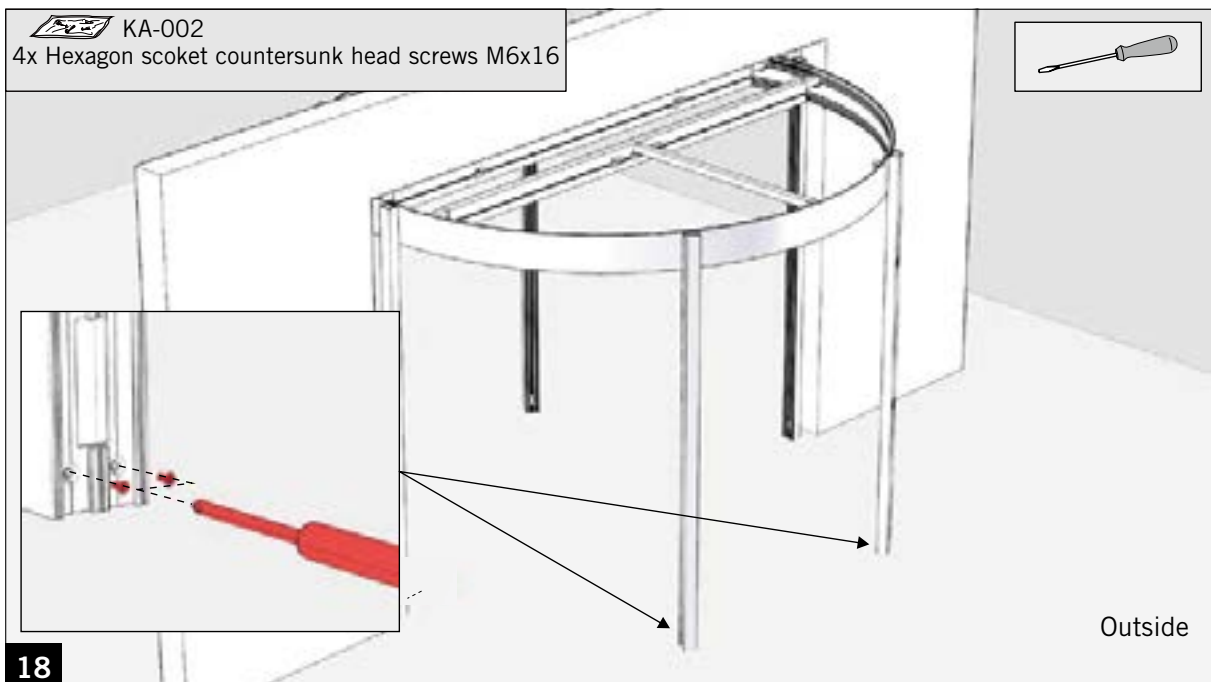
Mounting the girder and canopy



► Mount the sixth door post.



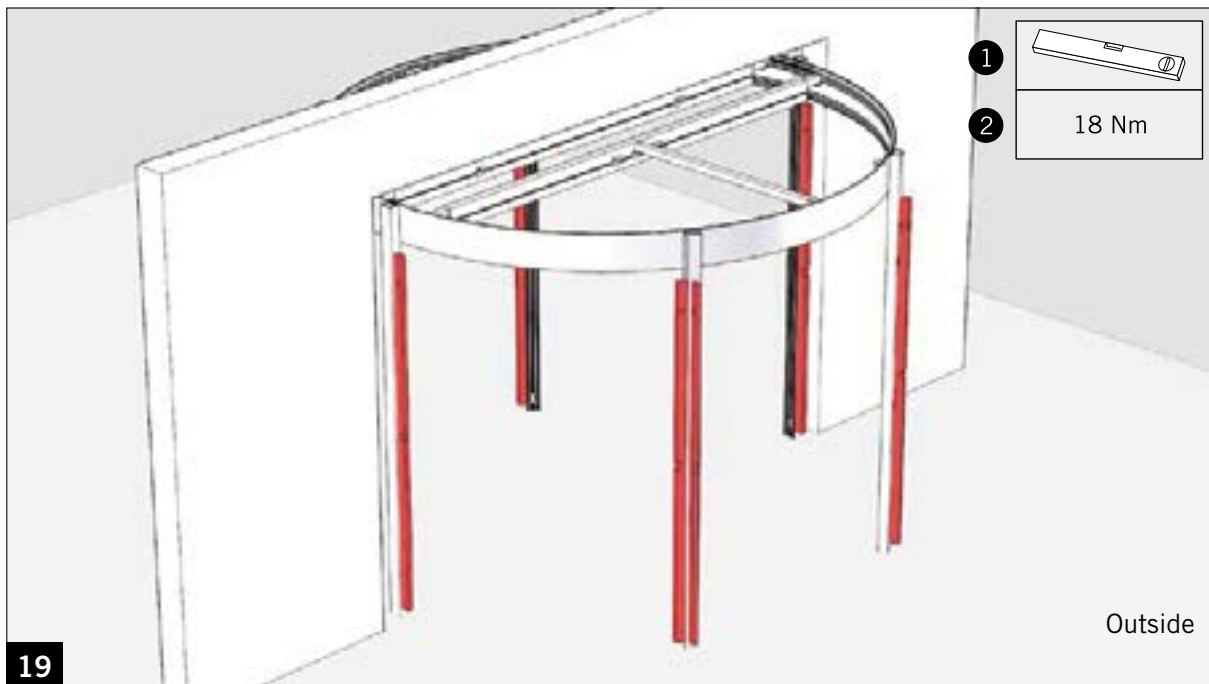
Secure the canopy against falling!
Never stay under the canopy without suitable means of protection.



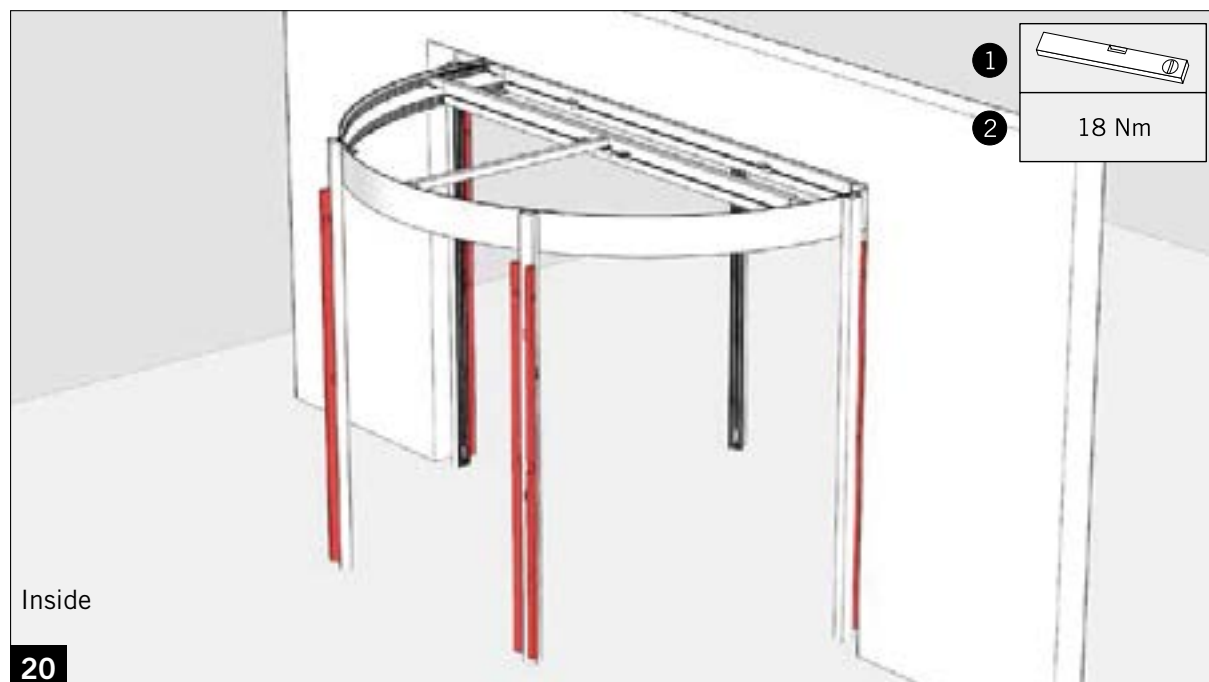
► Fix the upright door posts to the floor brackets with screws. Screw down hand tight.

KTV-FLEX DIRECT DRIVE

Mounting the girder and canopy



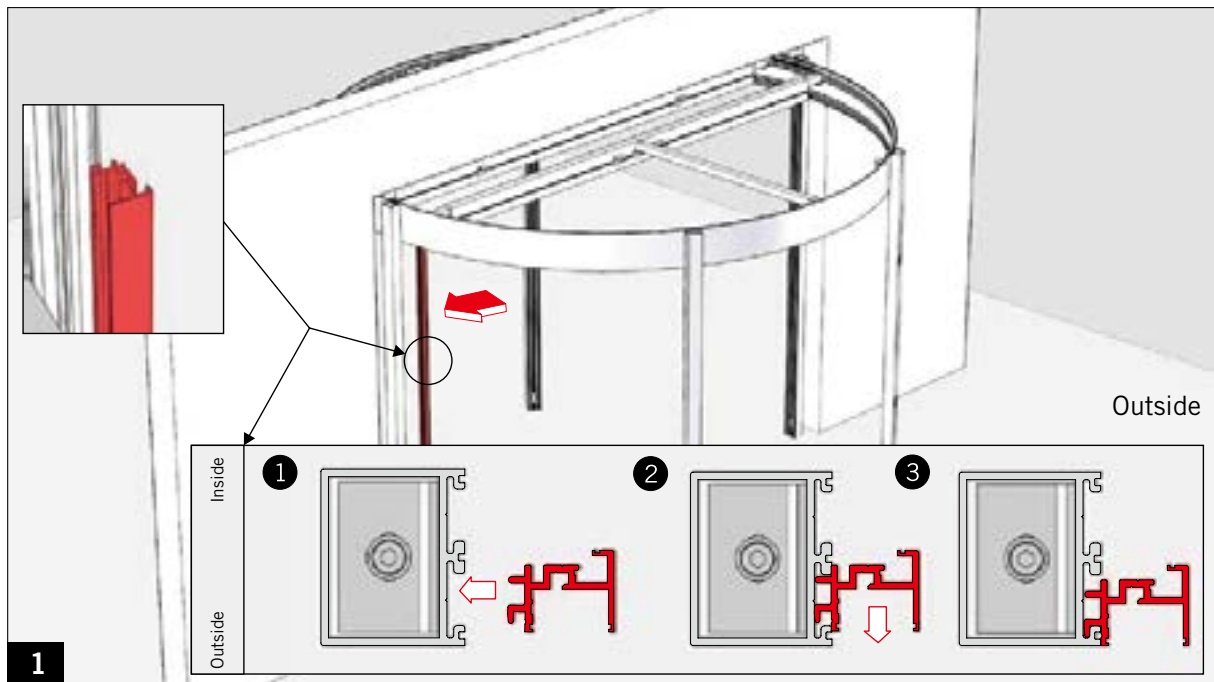
► Exterior view. Align the door posts vertically. If required, relax the screws for proper alignment and then screw down tight.



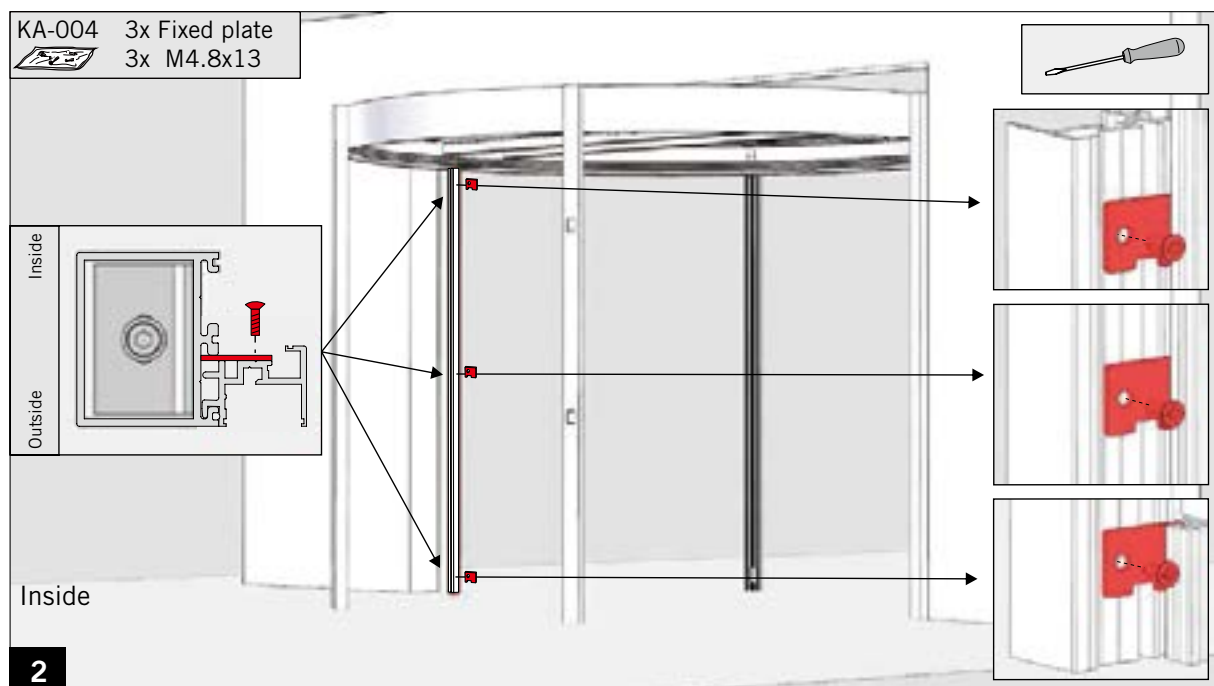
► Interior view. Align the door posts vertically. If required, relax the screws for proper alignment and then screw down tight.

KTV-FLEX DIRECT DRIVE

Mounting the drum wall



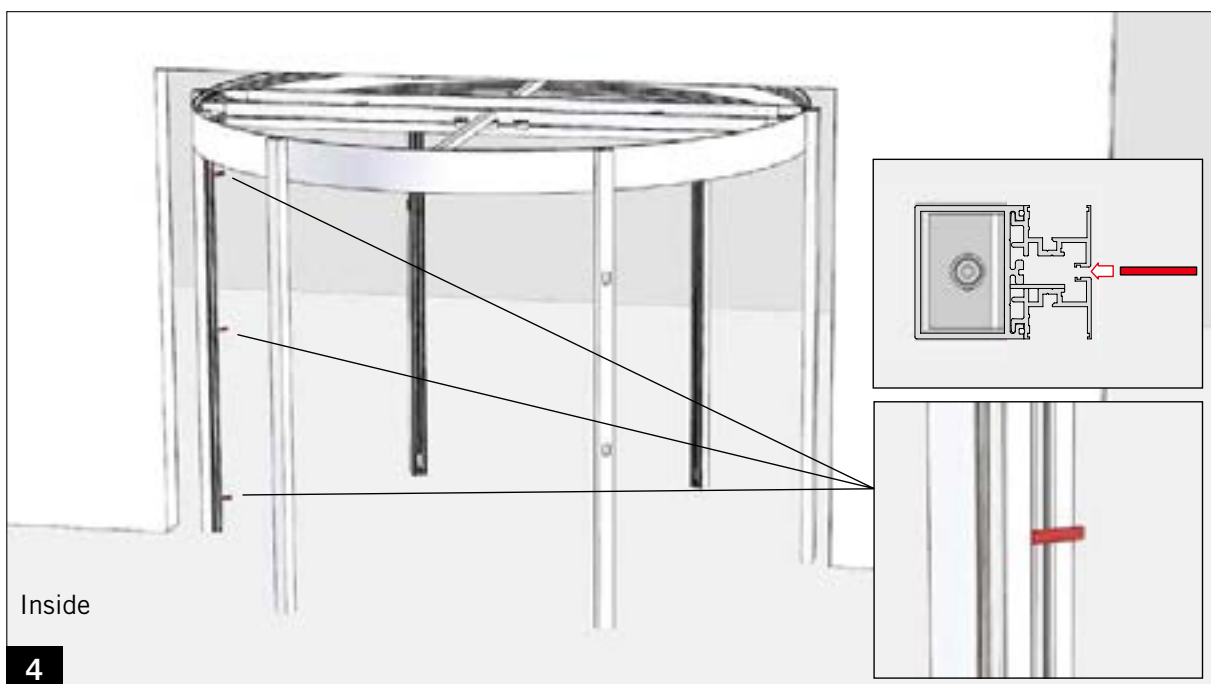
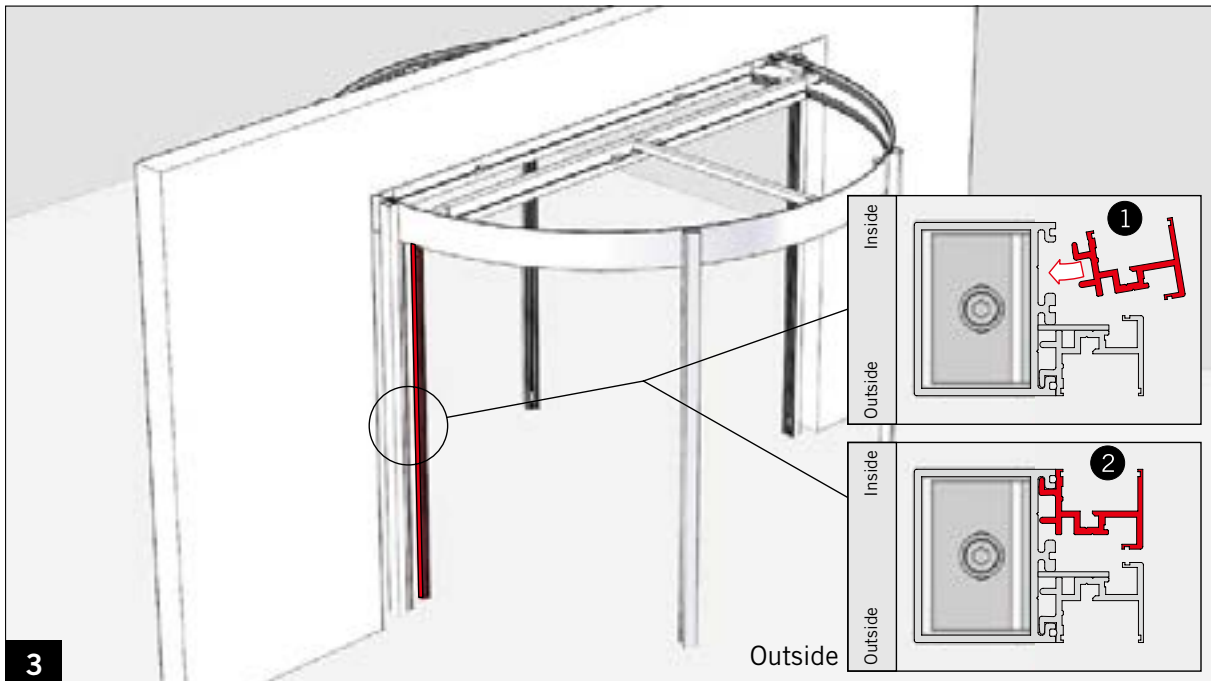
► Position the frame properly.



► Screw down the frame.

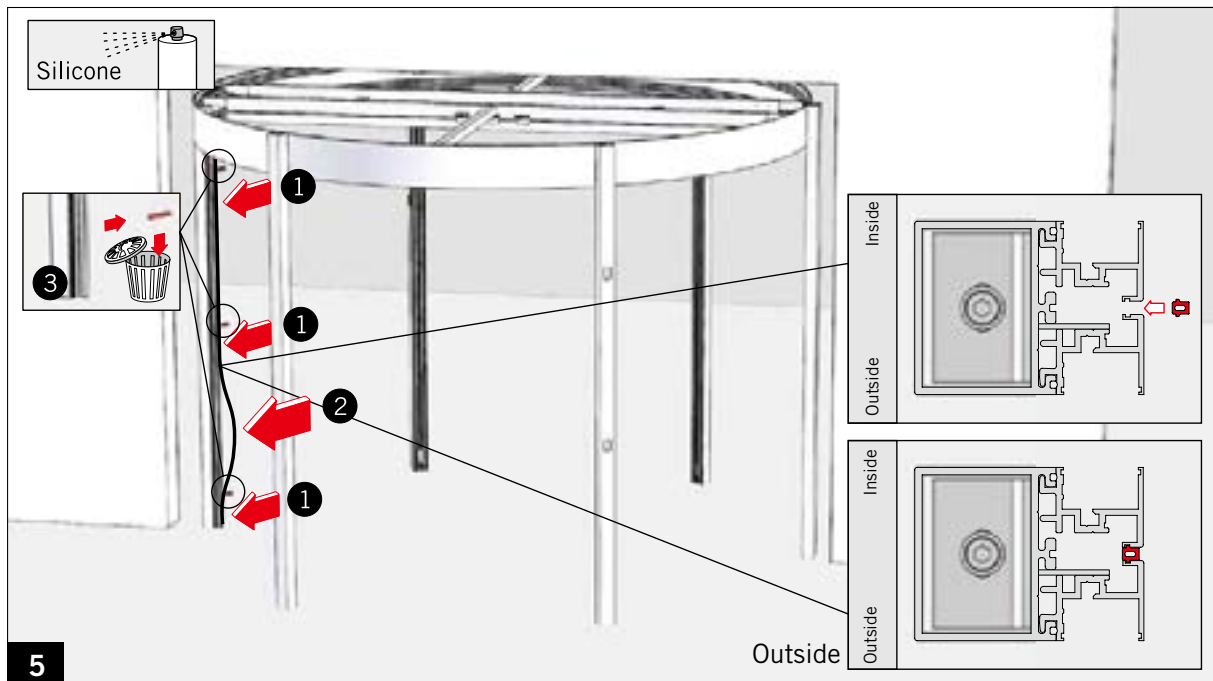
KTV-FLEX DIRECT DRIVE

Mounting the drum wall

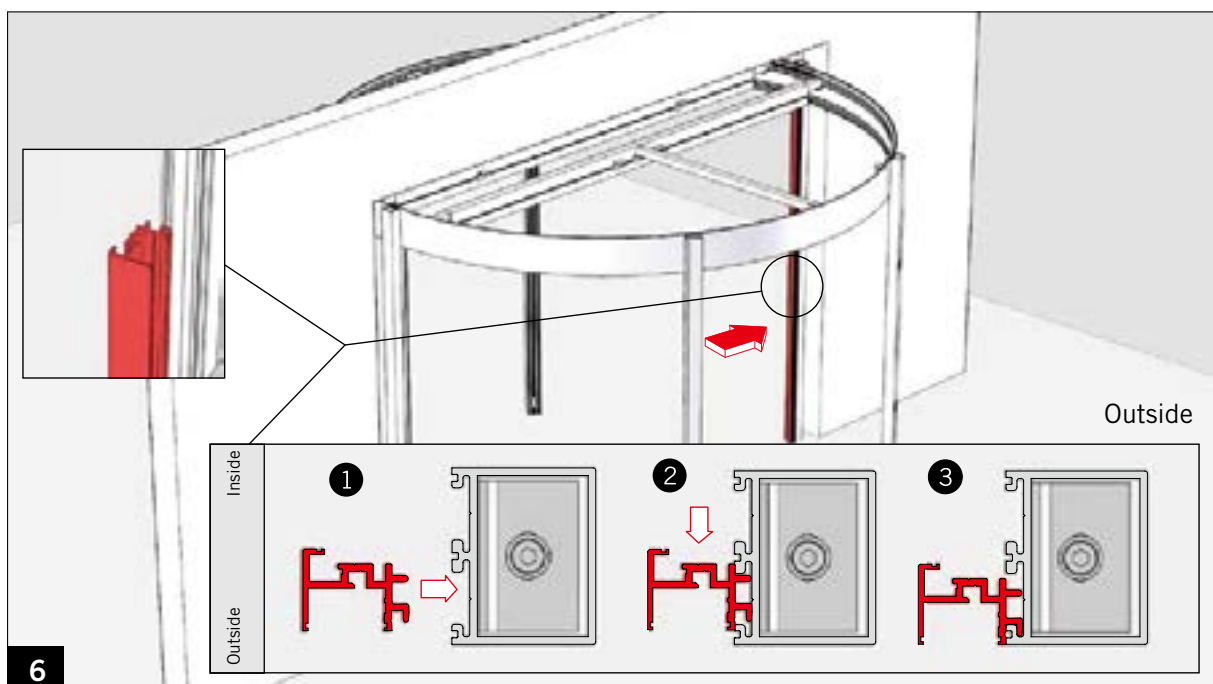


KTV-FLEX DIRECT DRIVE

Mounting the drum wall



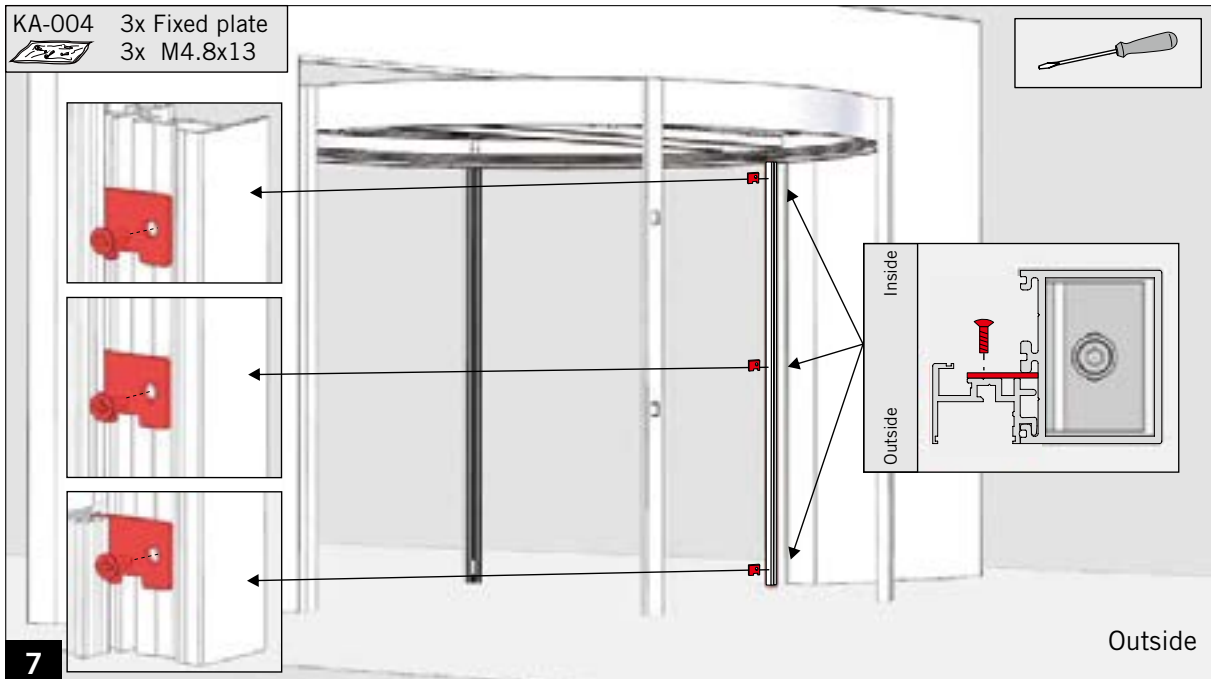
► Pinch the rubber seal a bit to insert it.



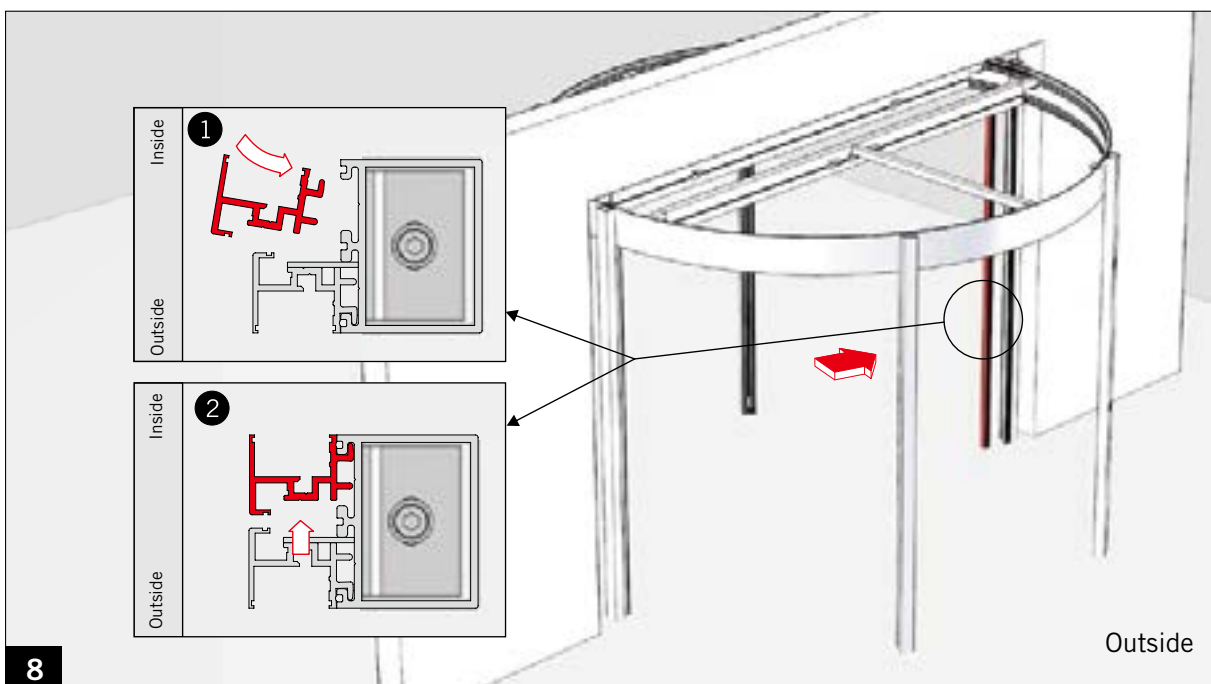
► Position the frame properly.

KTV-FLEX DIRECT DRIVE

Mounting the drum wall



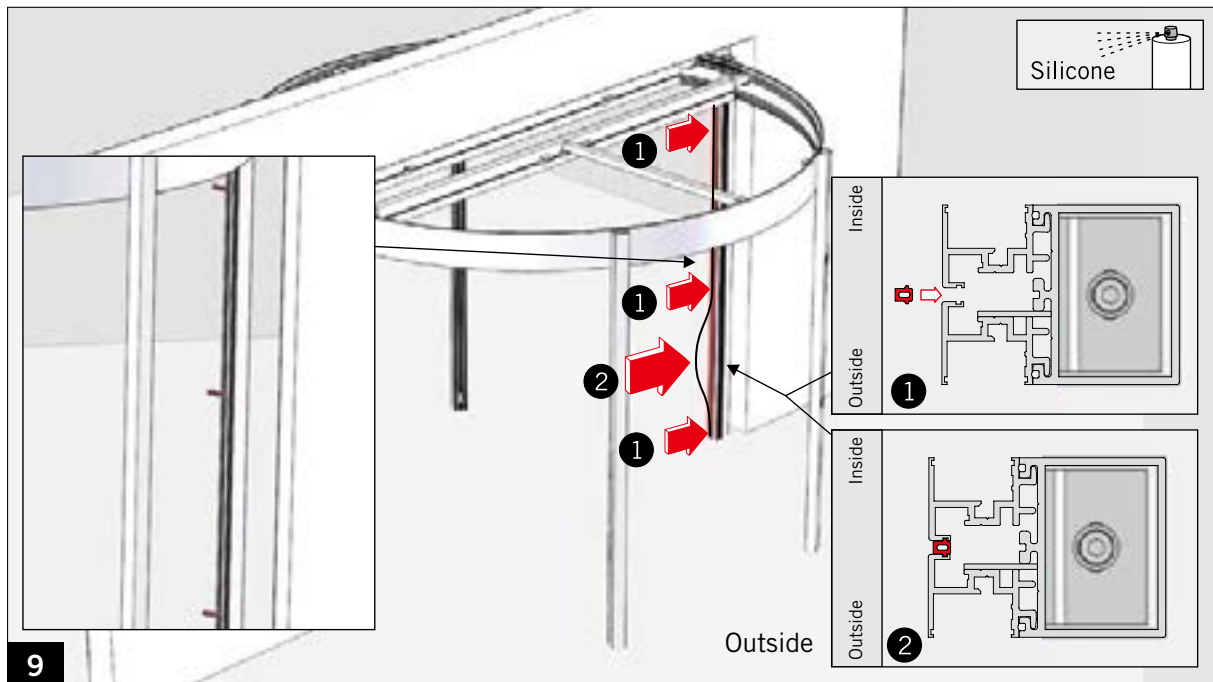
► Screw down the frame.



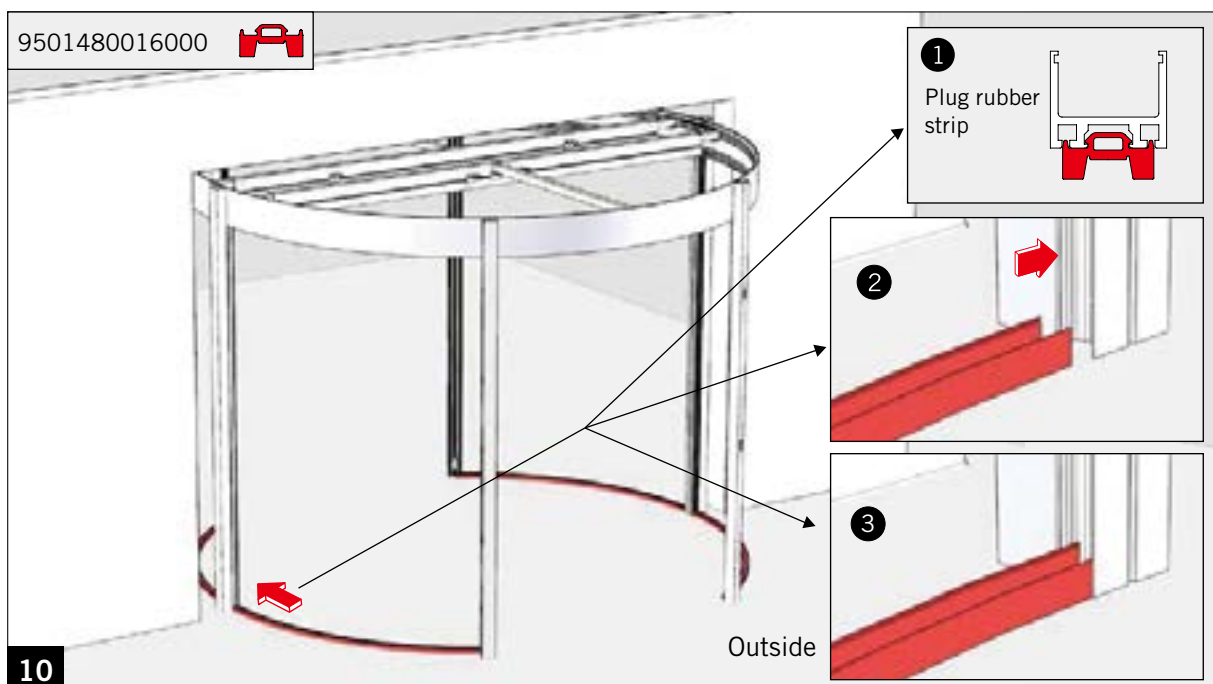
► Position the frame properly.

KTV-FLEX DIRECT DRIVE

Mounting the drum wall



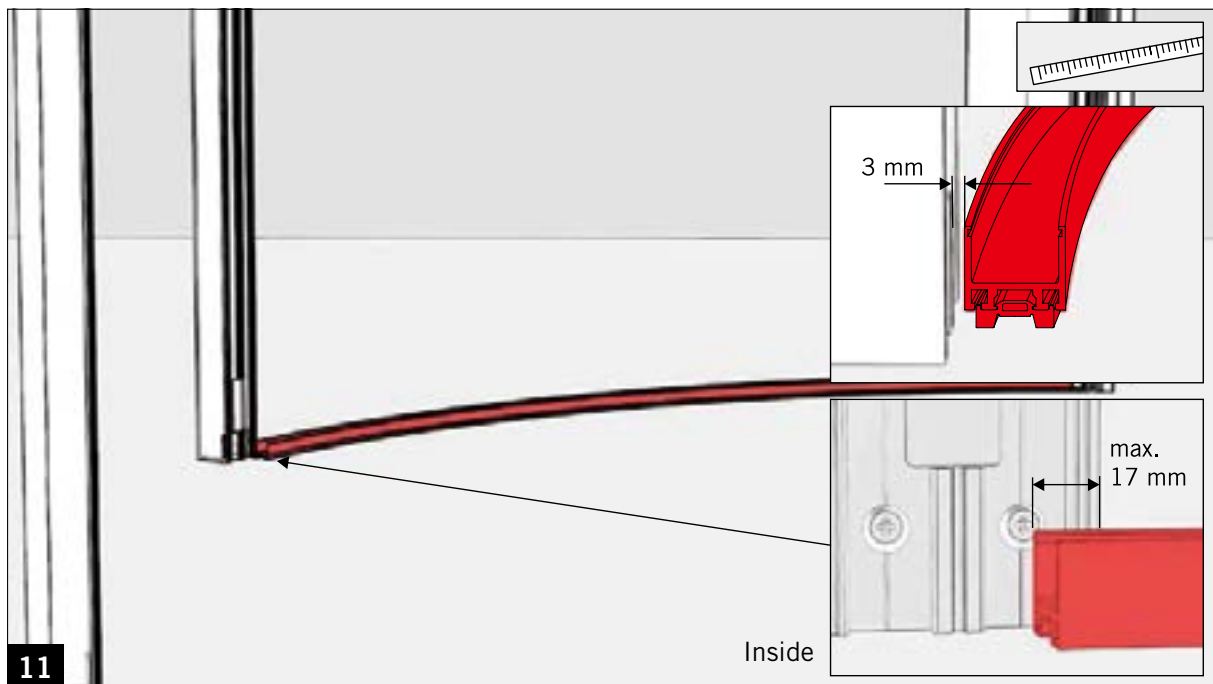
► Pinch the rubber seal a bit to insert it.



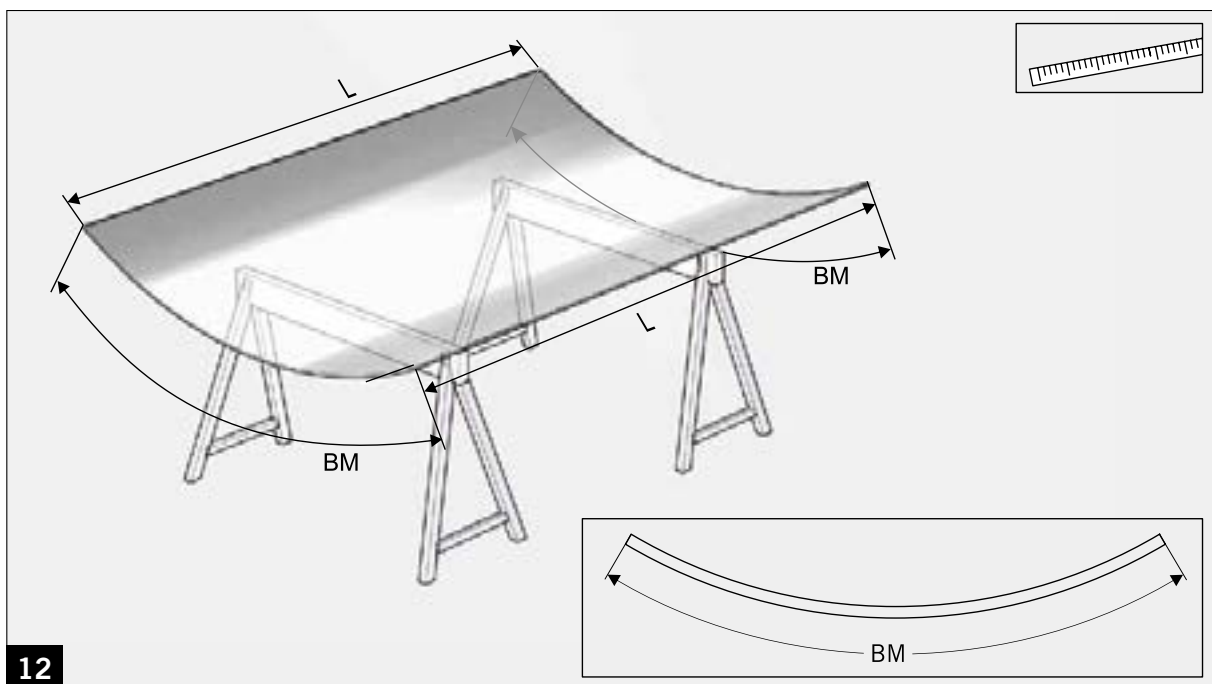
► Position the floor guide rail.

KTV-FLEX DIRECT DRIVE

Mounting the drum wall



► Align and level the floor guide rail properly.



► Measure the glazed drum walls and compare the dimensions with the values indicated on the drawing.

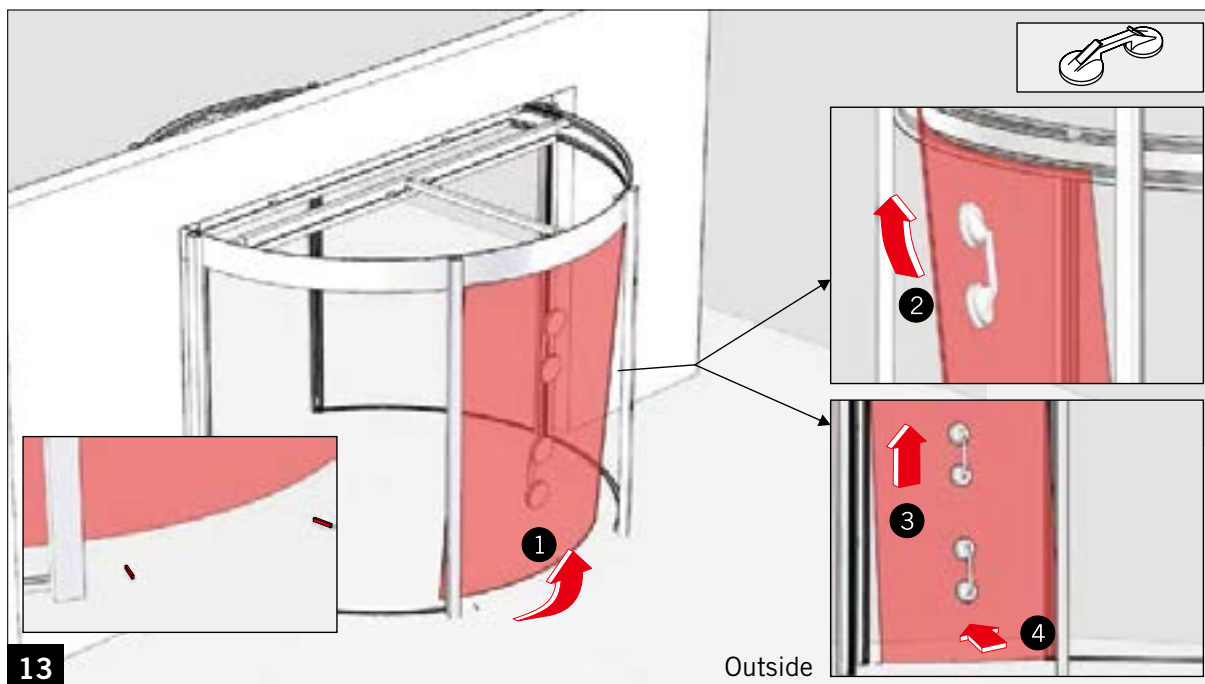


Be careful when placing the glass pane on the trestles.
Pay attention not to break the glass or to shear or cut your fingers.



KTV-FLEX DIRECT DRIVE

Mounting the drum wall



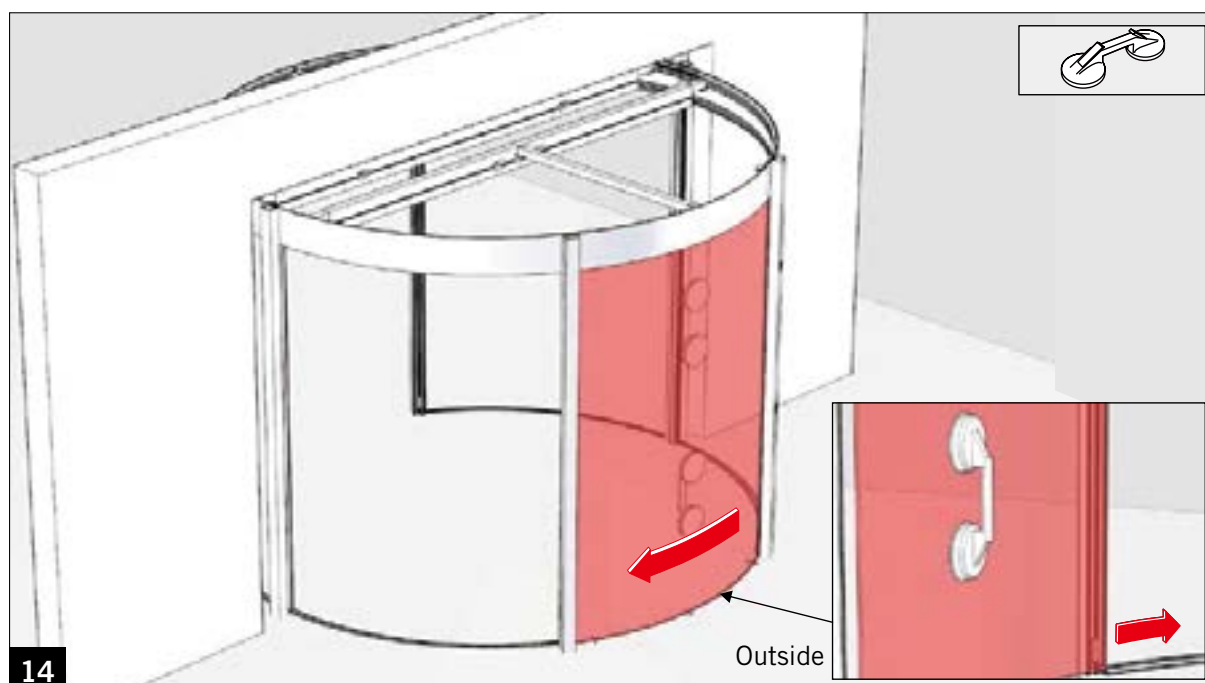
13

Outside

► Mount the first glazed drum wall.



Be careful when placing the glass pane on the trestles.
Pay attention not to break the glass or to shear or cut your fingers.



14

Outside

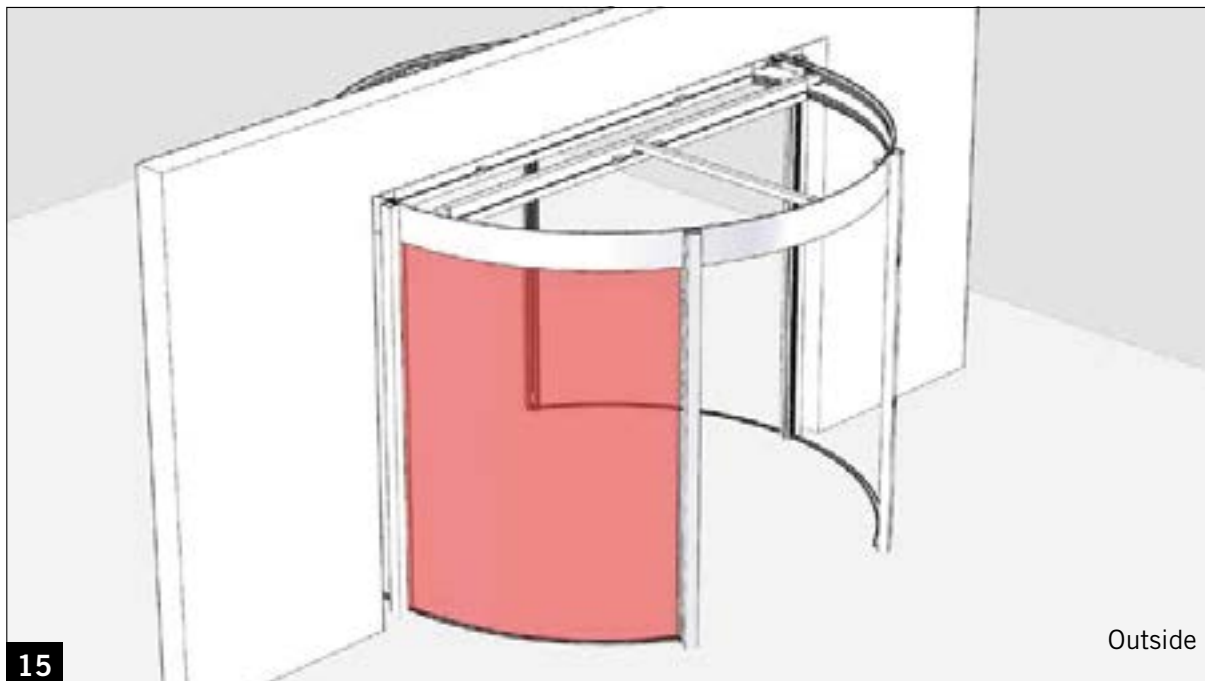
► Insert the first glazed drum wall.



Be careful when placing the glass pane on the trestles.
Pay attention not to break the glass or to shear or cut your fingers.

KTV-FLEX DIRECT DRIVE

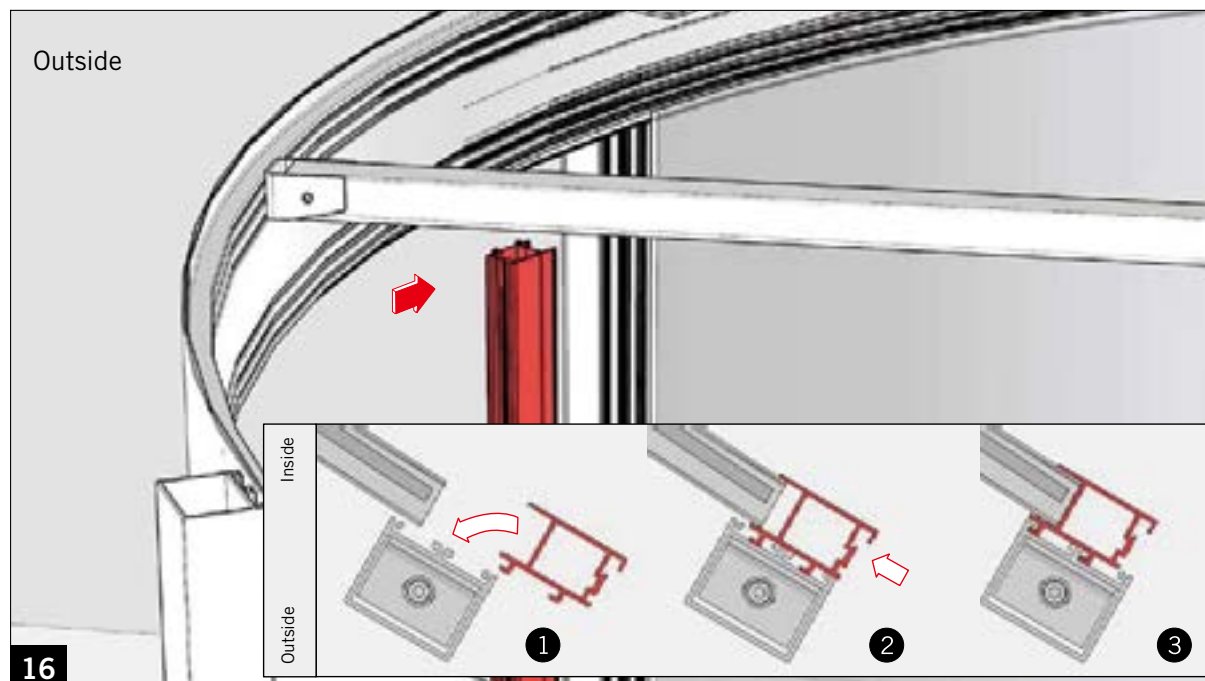
Mounting the drum wall



► Drum wall with one mounted glass pane.



⚠ Be careful when placing the glass pane on the trestles.
Pay attention not to break the glass or to shear or cut your fingers.



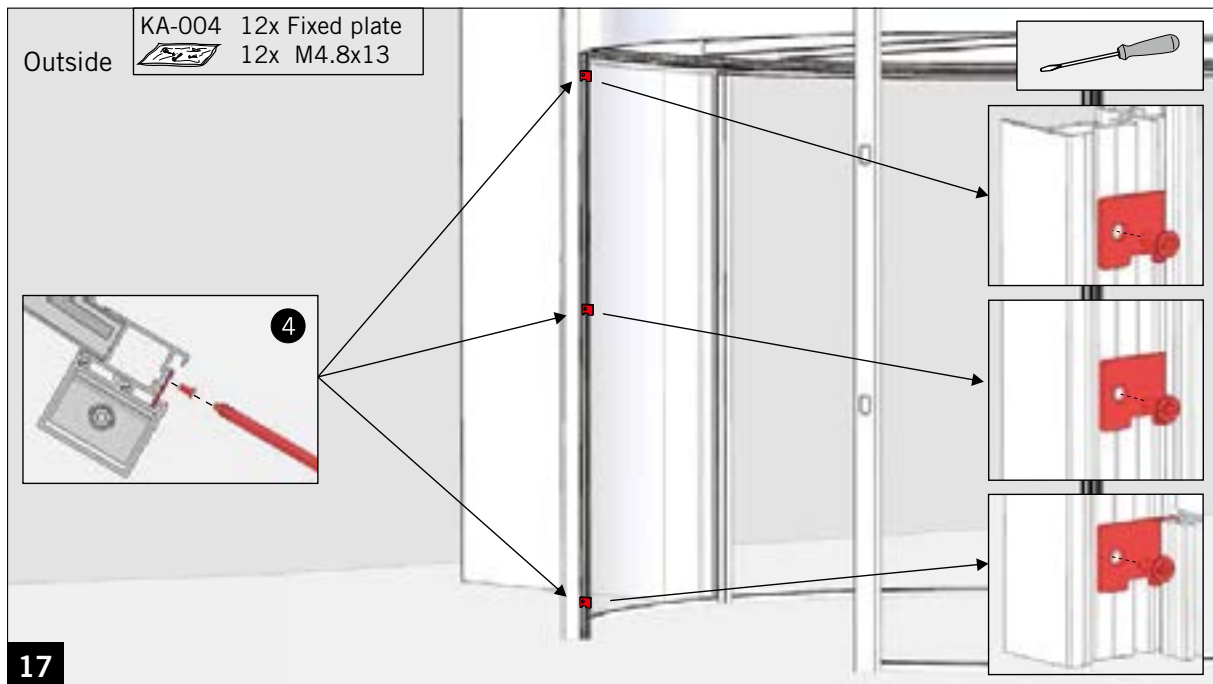
► Fix the frame.



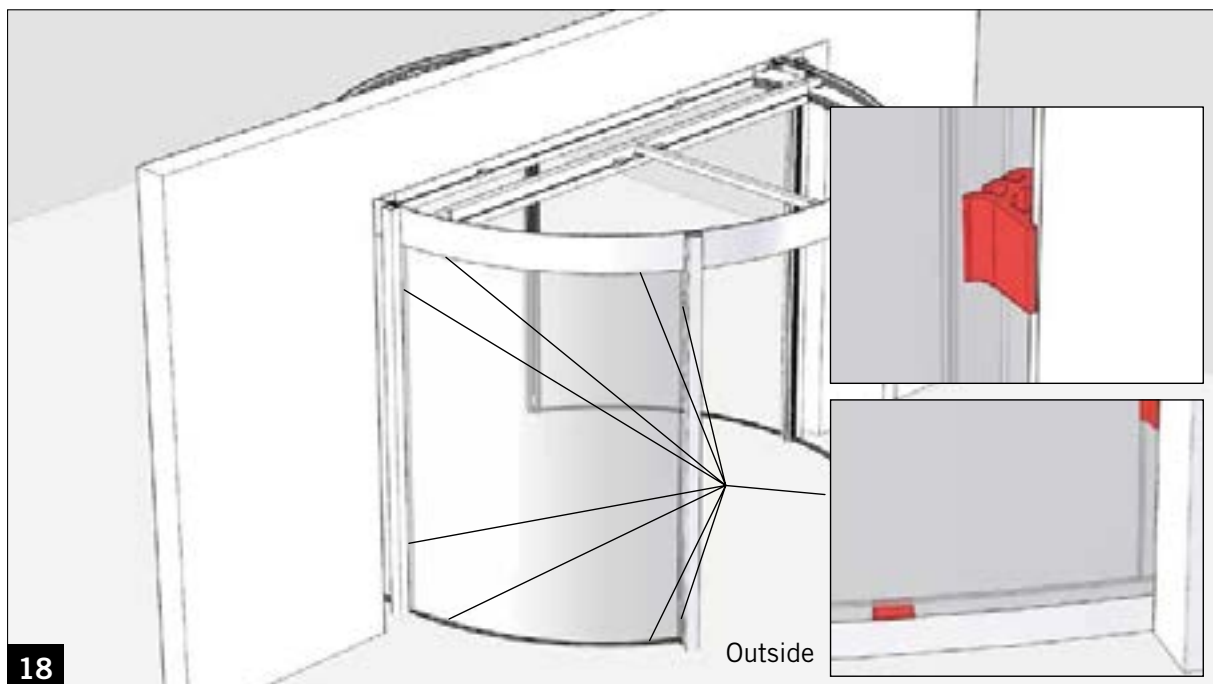
⚠ Be careful when placing the glass pane on the trestles.
Pay attention not to break the glass or to shear or cut your fingers.

KTV-FLEX DIRECT DRIVE

Mounting the drum wall



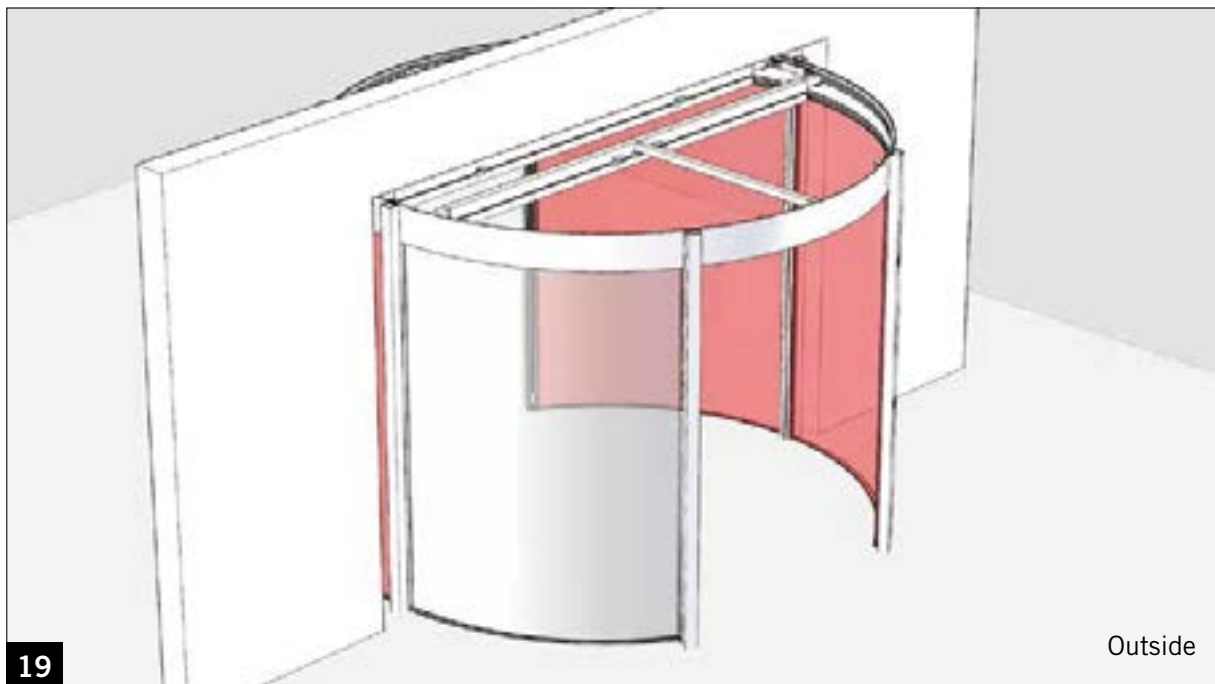
► Screw down the frame.



► Attach the spacers. The spacers are used to facilitate the mounting of the rubber seals.

KTV-FLEX DIRECT DRIVE

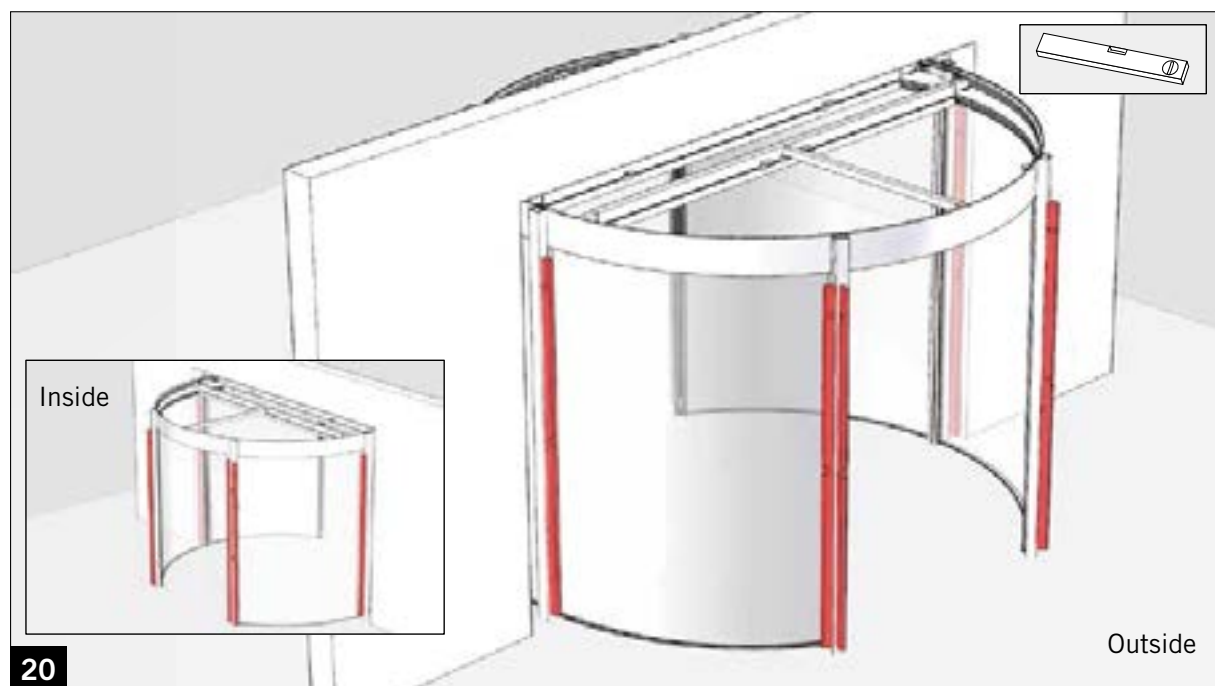
Mounting the drum wall



► Mount all glazed drum walls as explained above and fix the spacers.



Be careful when placing the glass pane on the trestles.
Pay attention not to break the glass or to shear or cut your fingers.



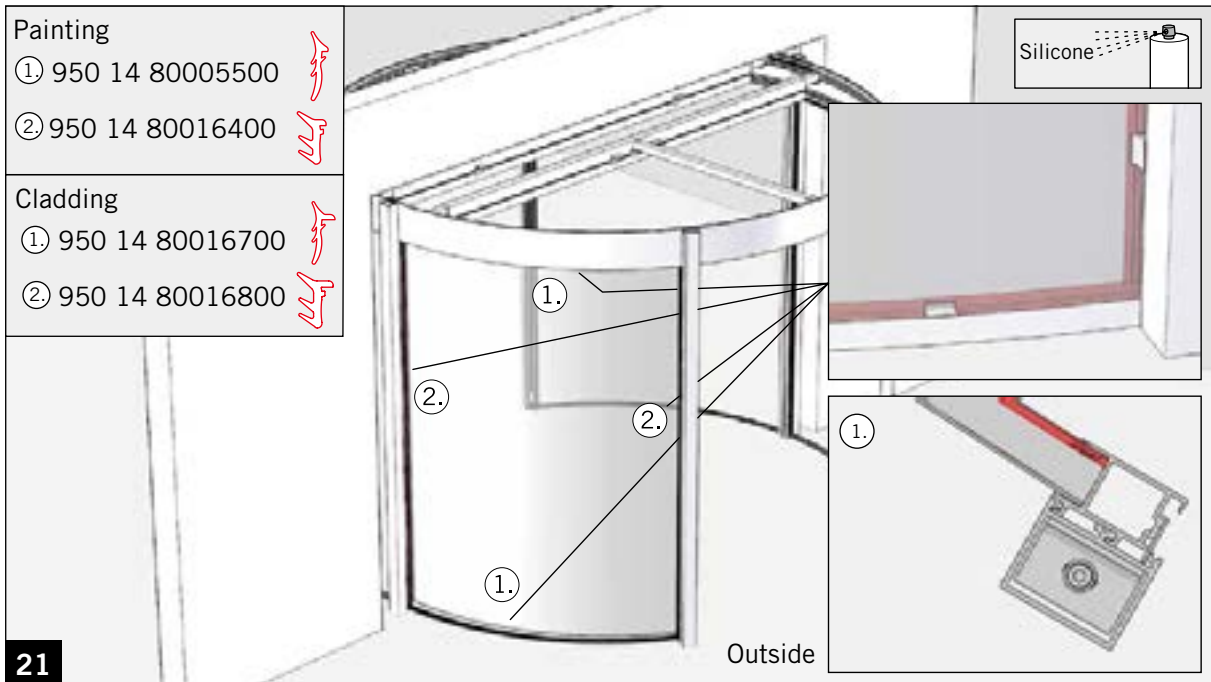
► Align the drum wall.



Handle the glass panes with care.
Pay attention not to break the glass or to shear or cut your fingers.

KTV-FLEX DIRECT DRIVE

Mounting the drum wall

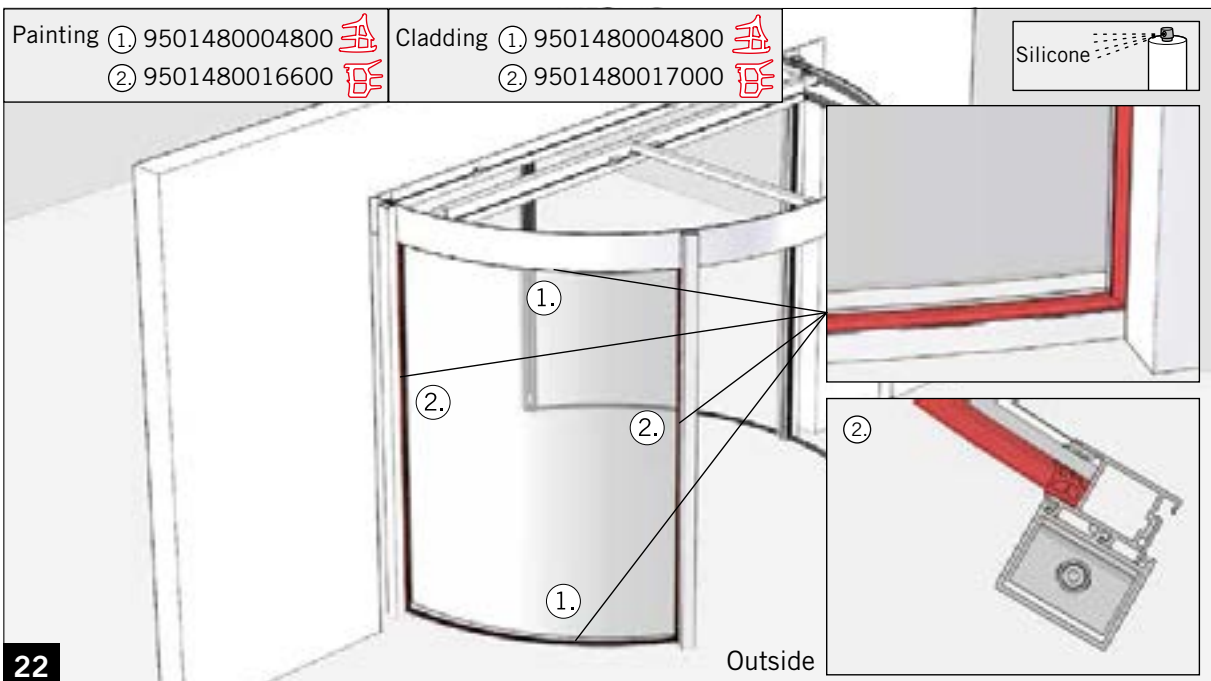


21

► Mount the rubber seals on the inside.



! Handle the glass panes with care.
Shearing hazard!



22

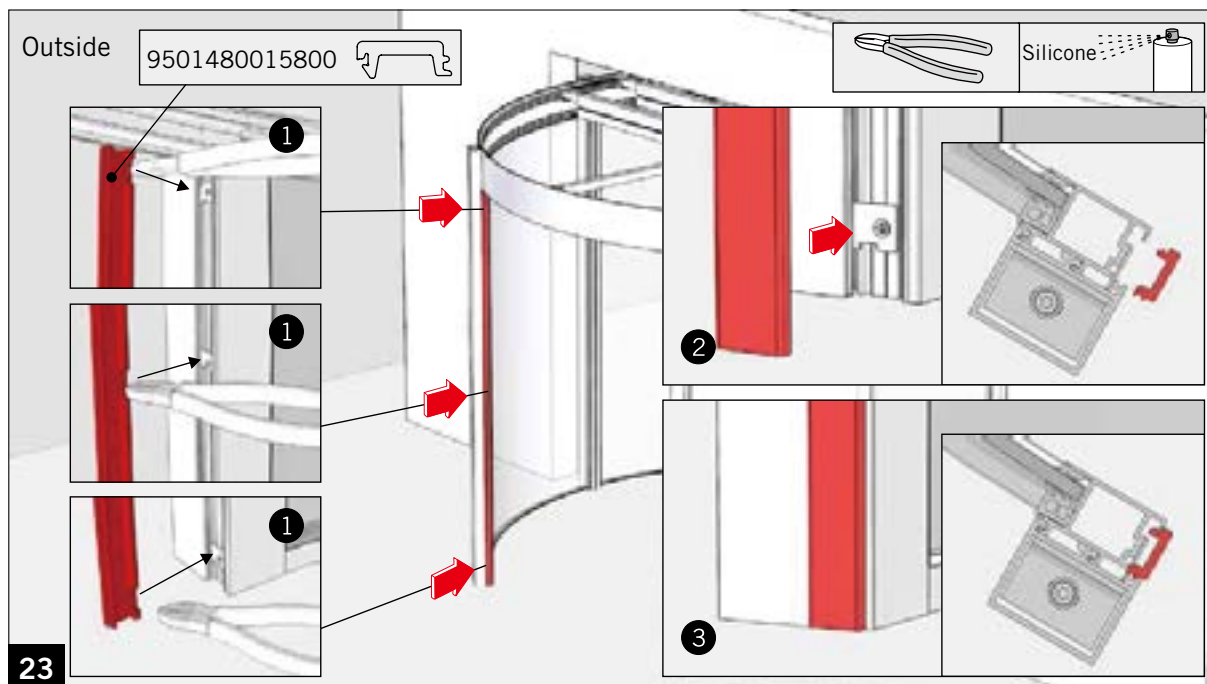
► Mount the rubber seals on the external part of the revolving door.



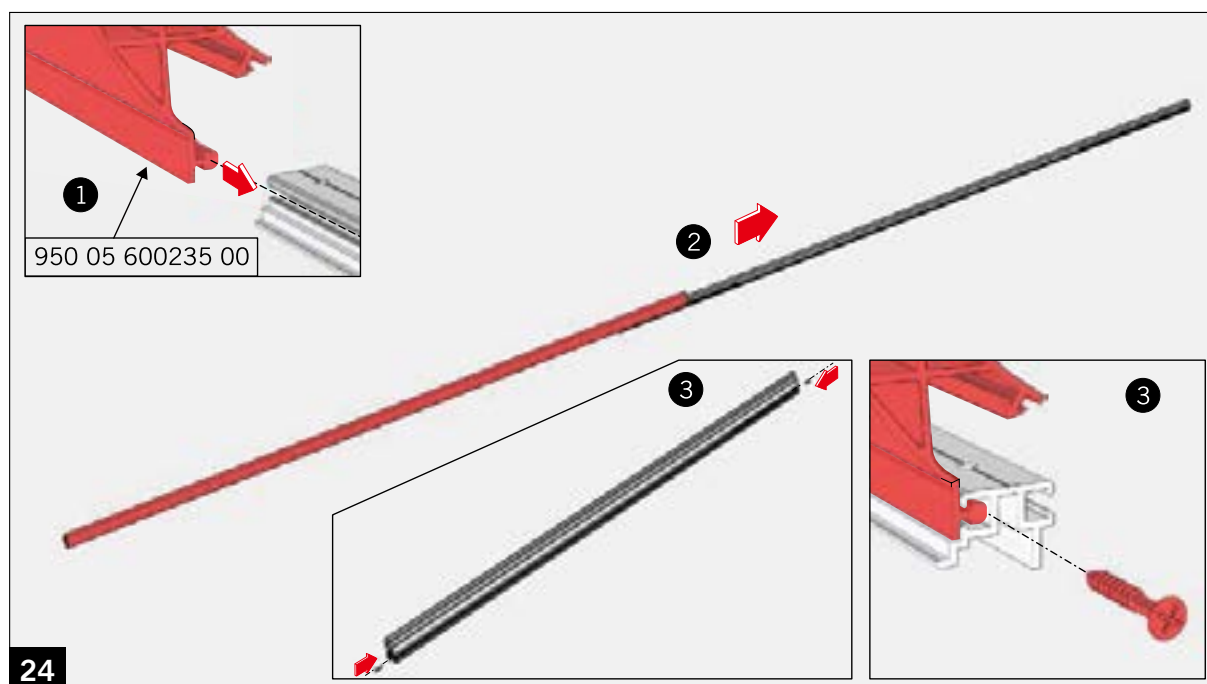
! Handle the glass panes with care.
Shearing hazard!

KTV-FLEX DIRECT DRIVE

Mounting the drum wall



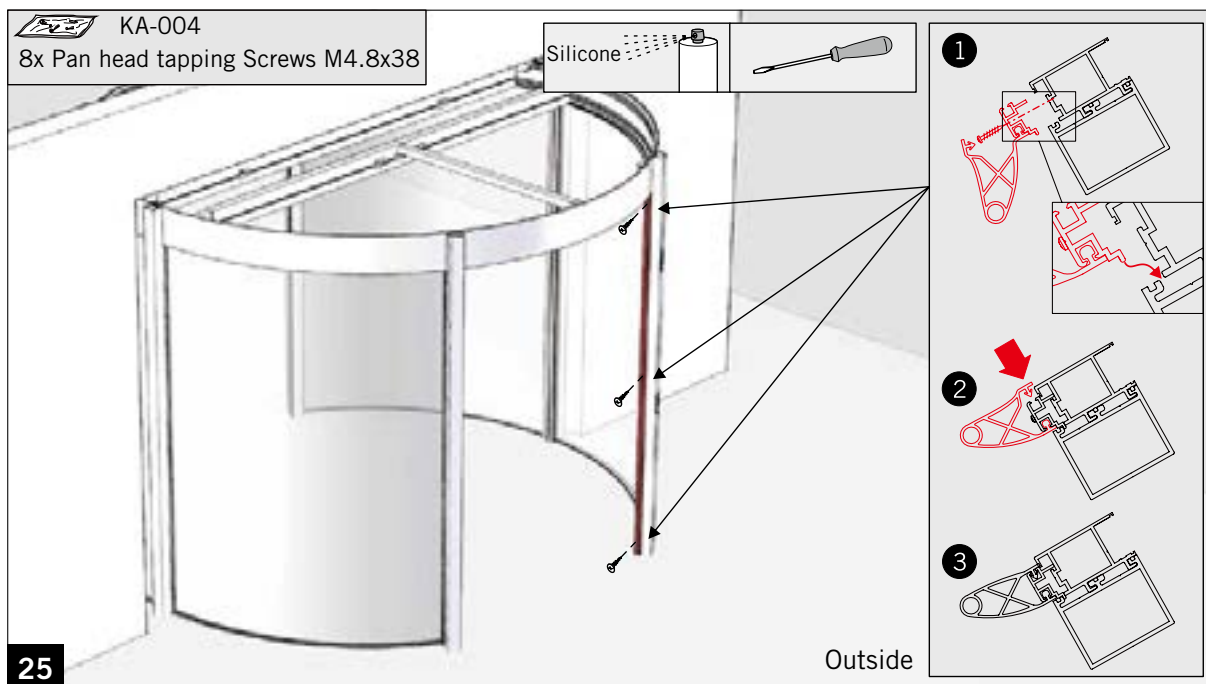
► Mount the covers of the door posts. Make cut outs for the fixing brackets so that you can mount the covers.



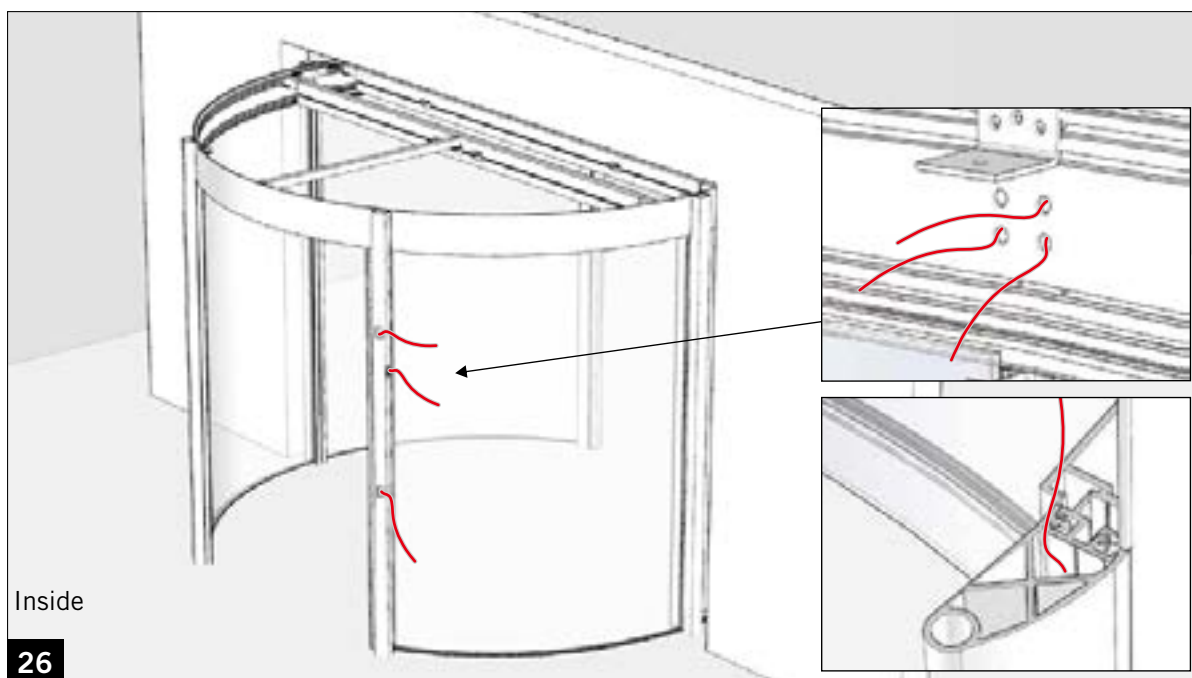
► Assemble the safety contact strip (Assembled in the factory, only used for maintenance).

KTV-FLEX DIRECT DRIVE

Mounting the drum wall



▶ Screw down the safety sensor.



▶ Lay the cables.

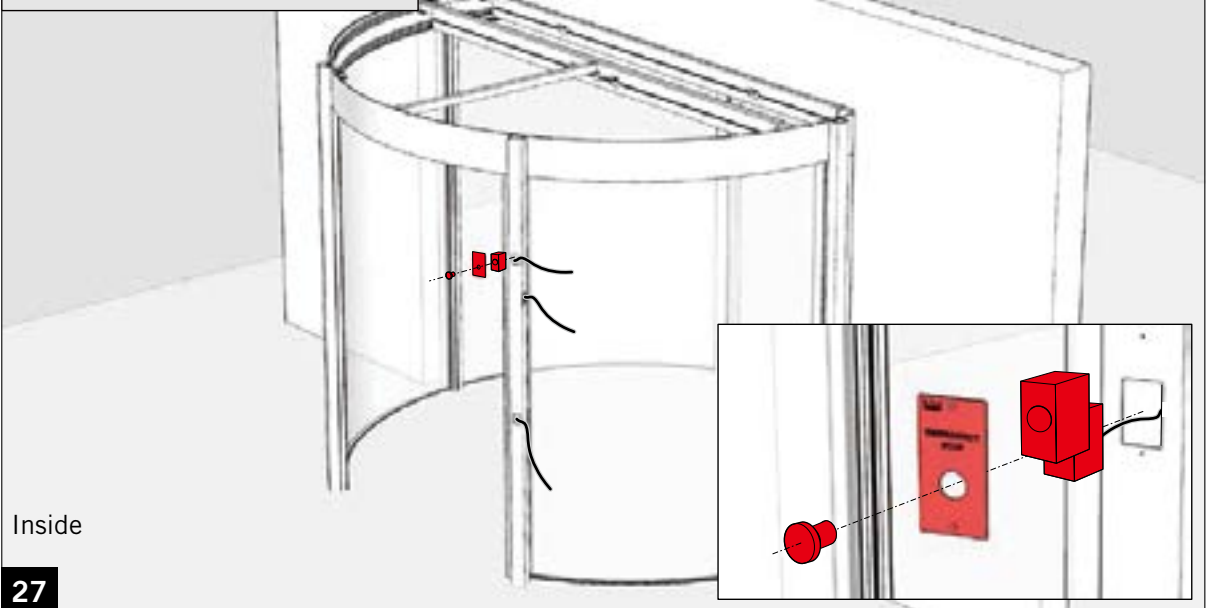
▶ Only authorised people shall perform work on electrical equipment (authorisation by DORMA required).



KTV-FLEX DIRECT DRIVE

Mounting the drum wall

KA-005
10x Countersunk cross screws M3x10

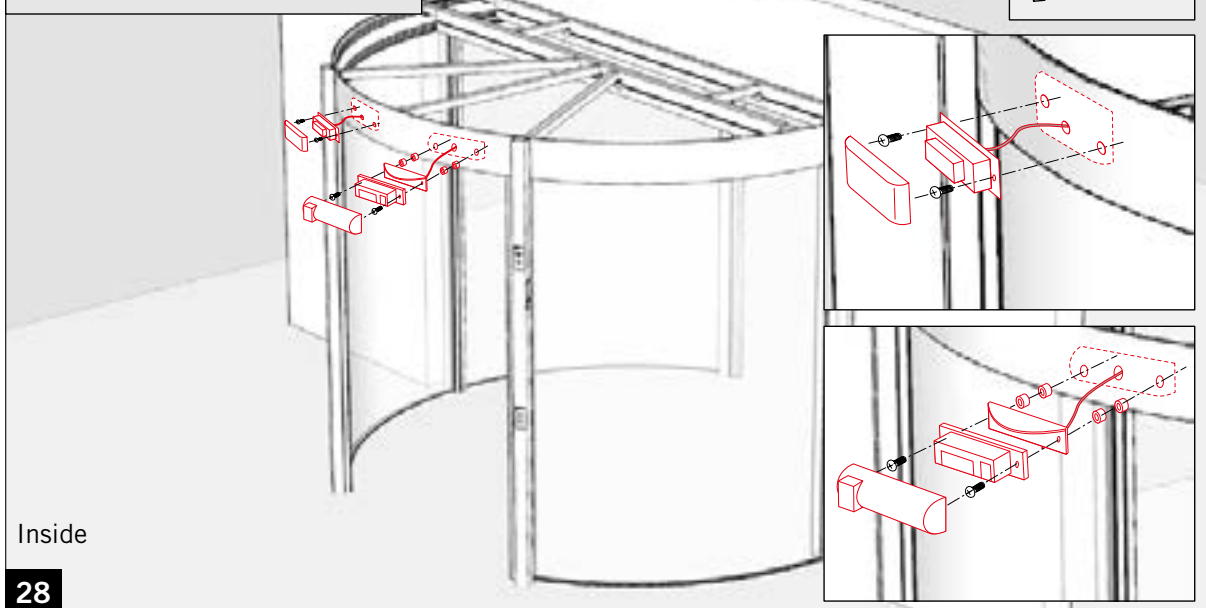


27

- ▶ Mount the EMERGENCY OFF pushbutton.
- ▶ Only authorised people shall perform work on electrical equipment(authorisation by DORMA required).



KA-005
18x Round head cross screws M4x10



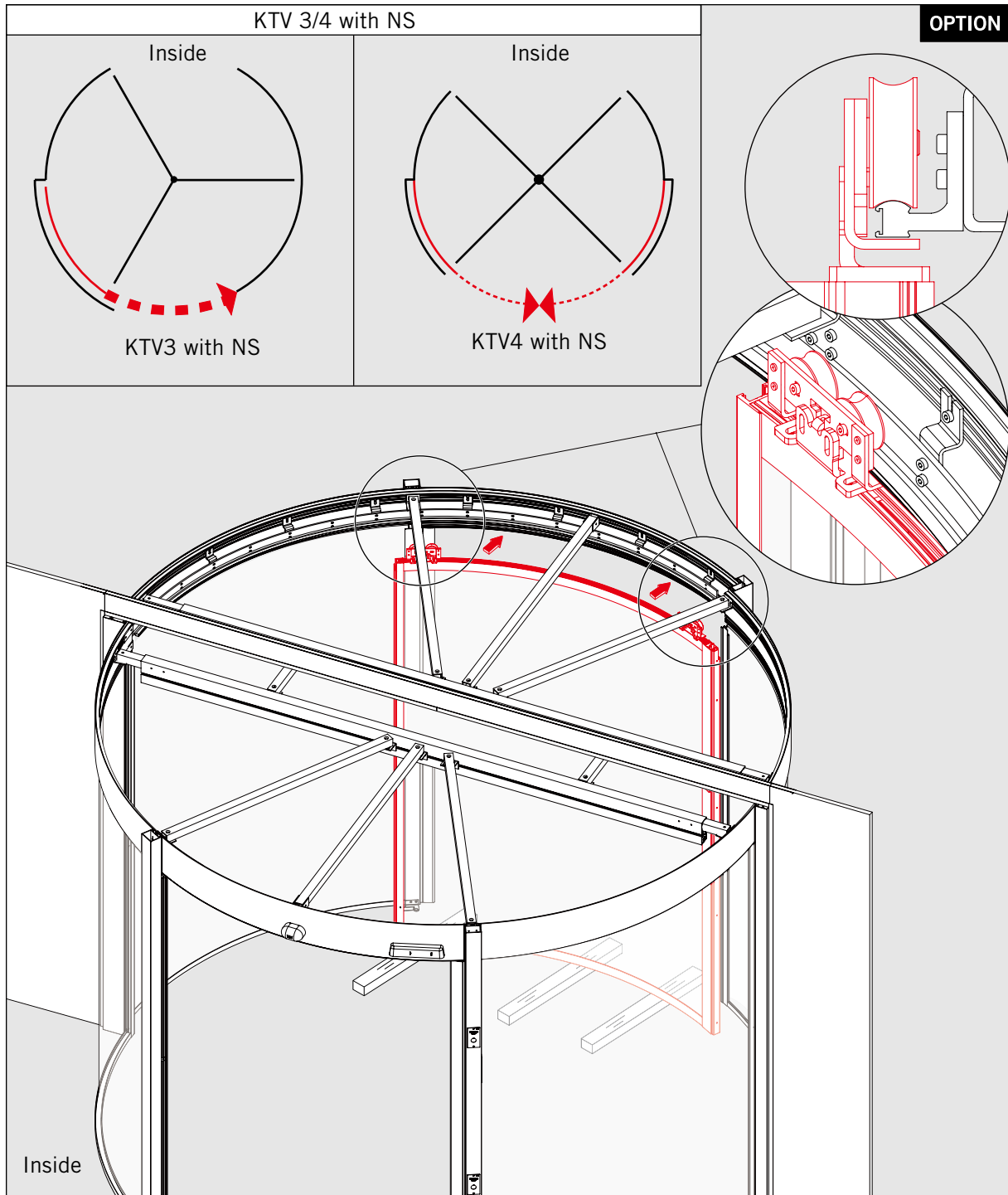
28

- ▶ Mount the sensors.
- ▶ Only authorised people shall perform work on electrical equipment(authorisation by DORMA required).



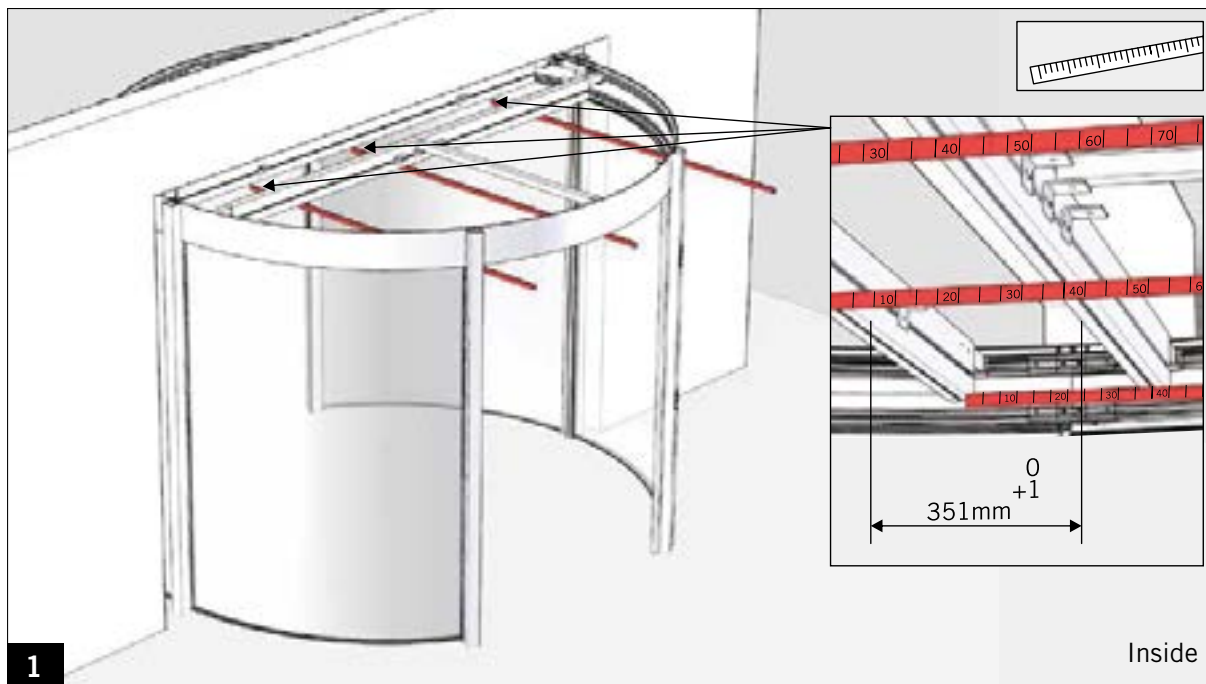
KTV-FLEX DIRECT DRIVE

Mounting the drum wall

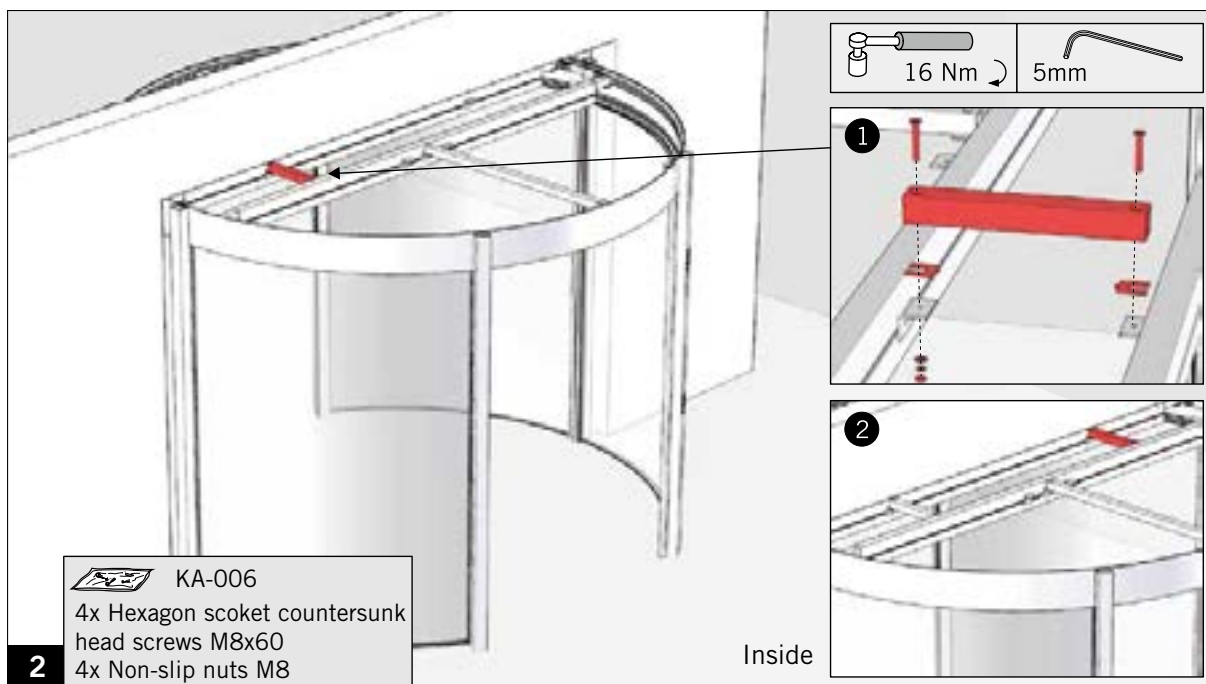


KTV-FLEX DIRECT DRIVE

Mounting the operator



► Check dimensions.



► Mount the profile.

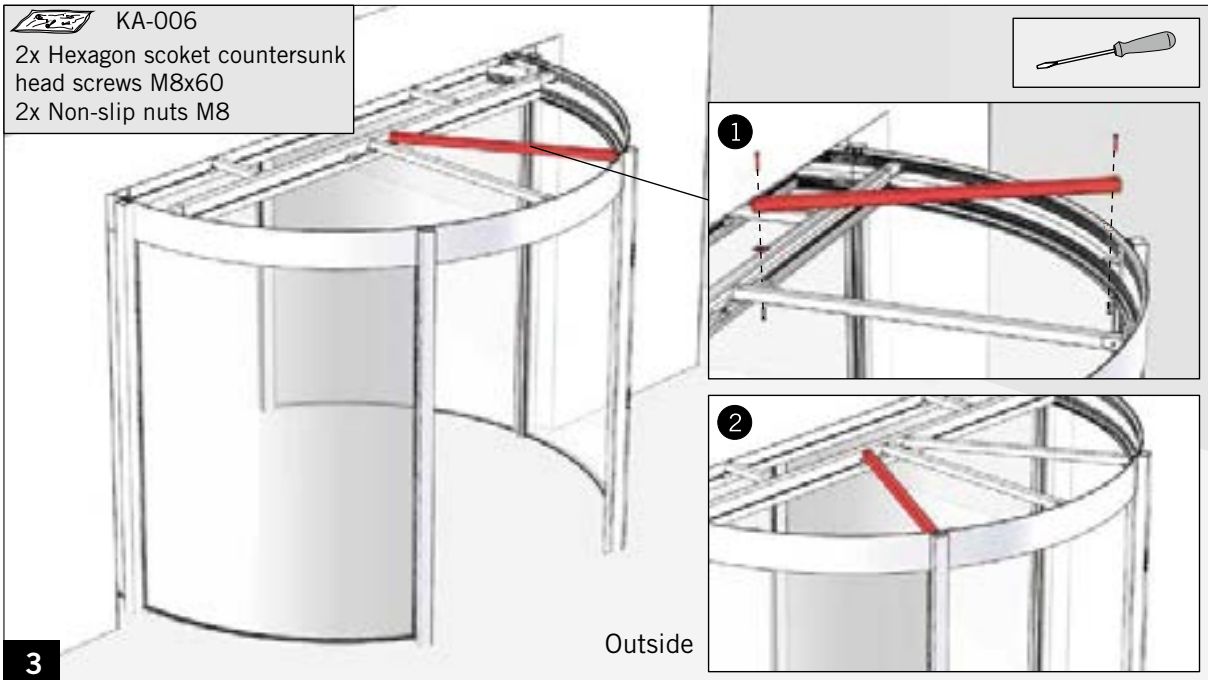


Falling hazard!
Always wear suitable protection equipment when standing under the profile.



KTV-FLEX DIRECT DRIVE

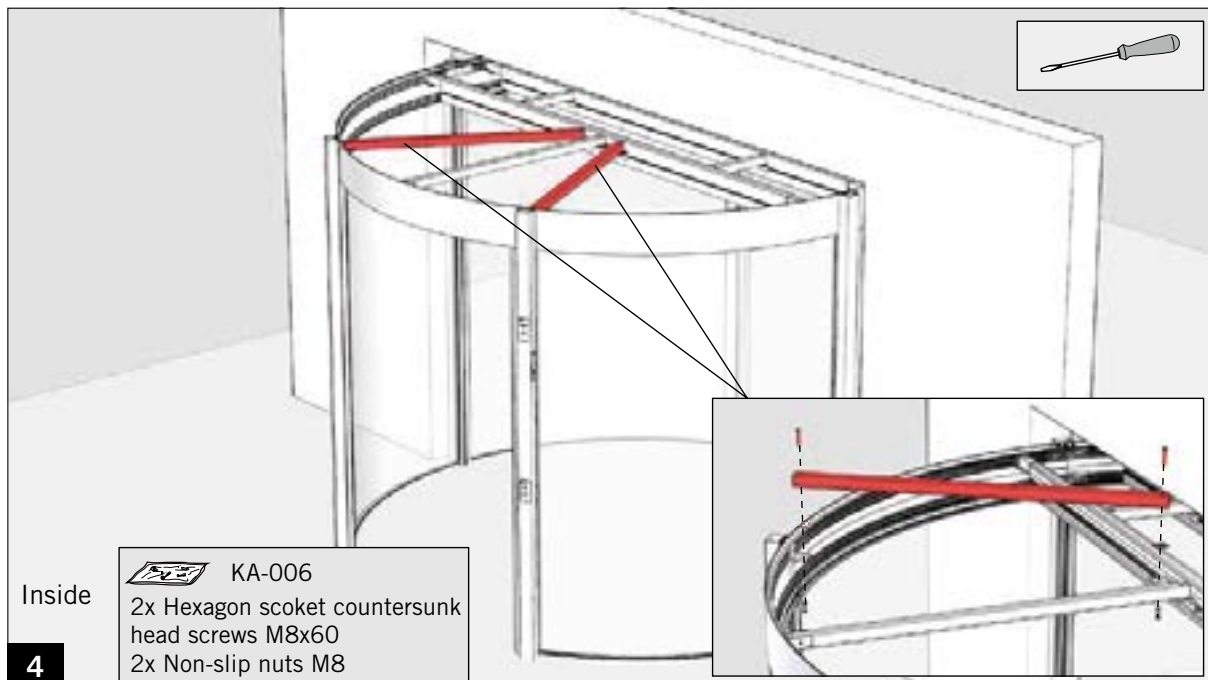
Mounting the operator



► Mount the profile.



Falling hazard!
Always wear suitable protection equipment when standing under the profile.



► Mount the profile.

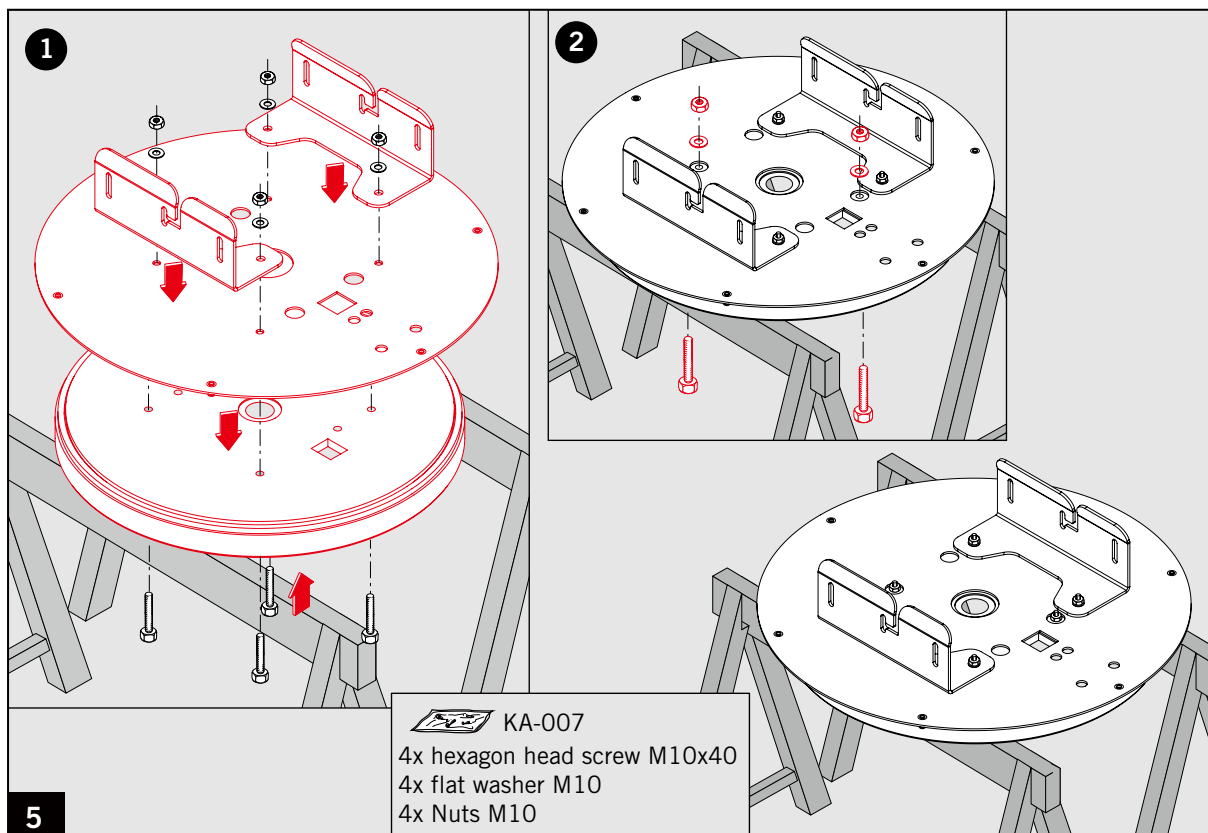


Falling hazard!
Always wear suitable protection equipment when standing under the profile.

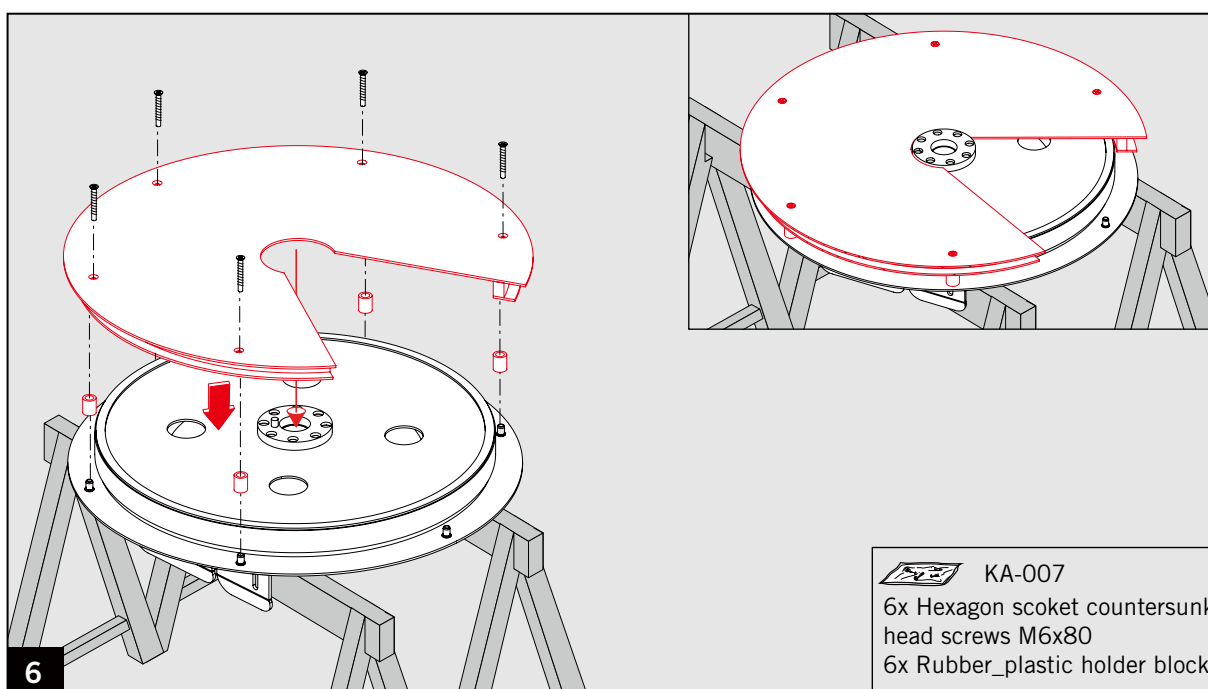


KTV-FLEX DIRECT DRIVE

Mounting the operator



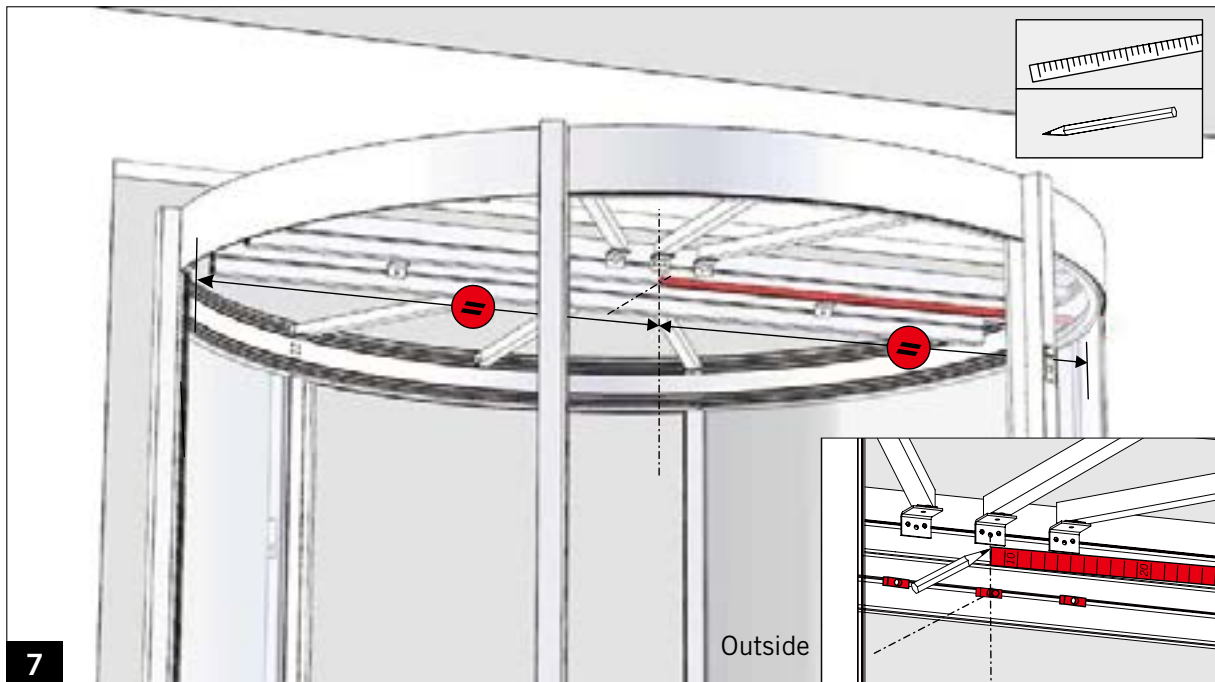
▶ Assemble the operator.



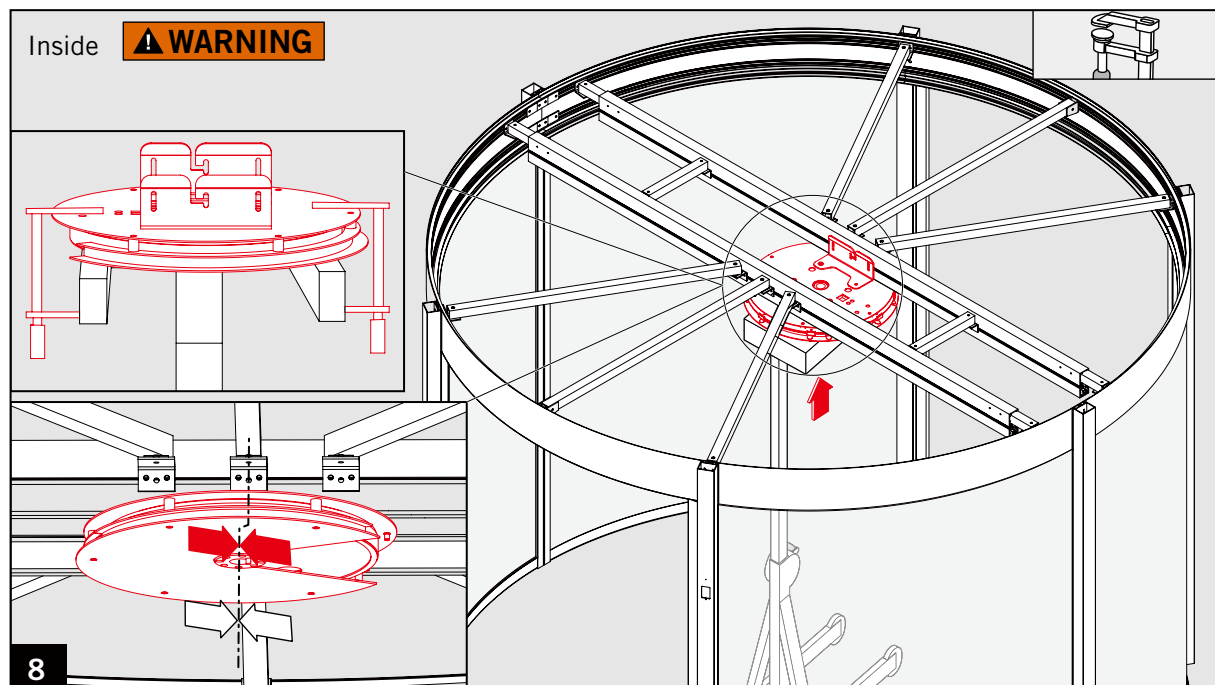
▶ Assemble the operator.

KTV-FLEX DIRECT DRIVE

Mounting the operator



► Determine and mark the centre of the operator.



► Secure the operator with a clamp and locate it properly.

► Locate the operator in position.

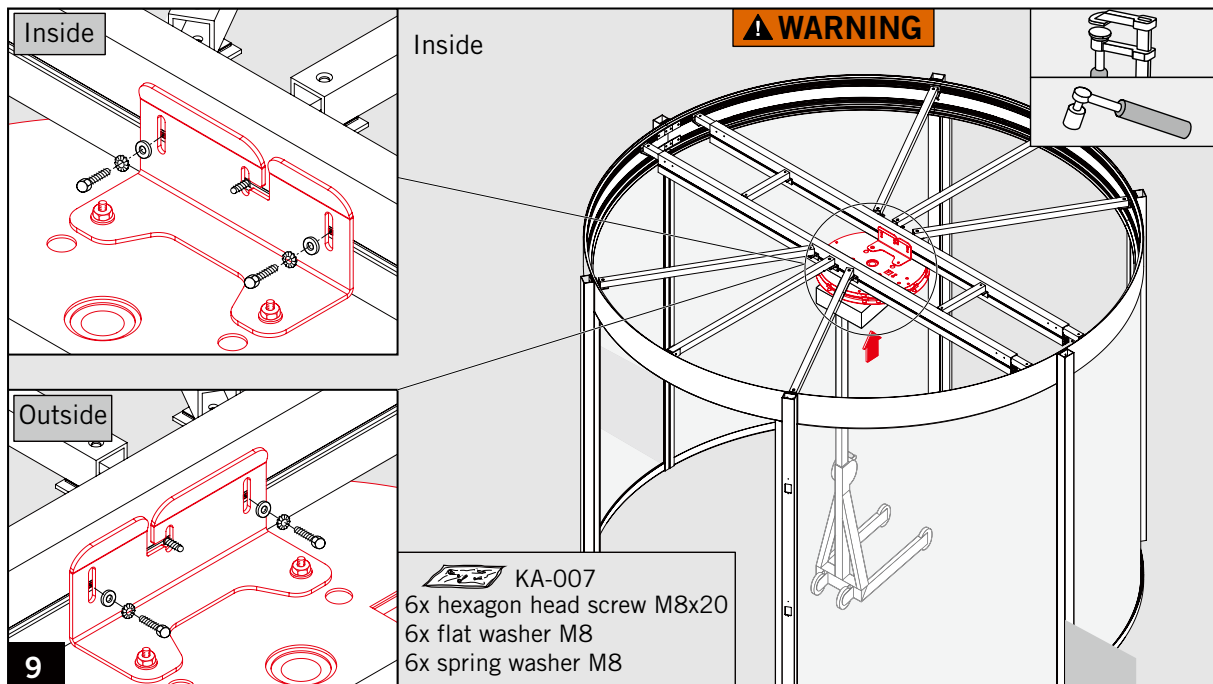


Always wear a helmet!

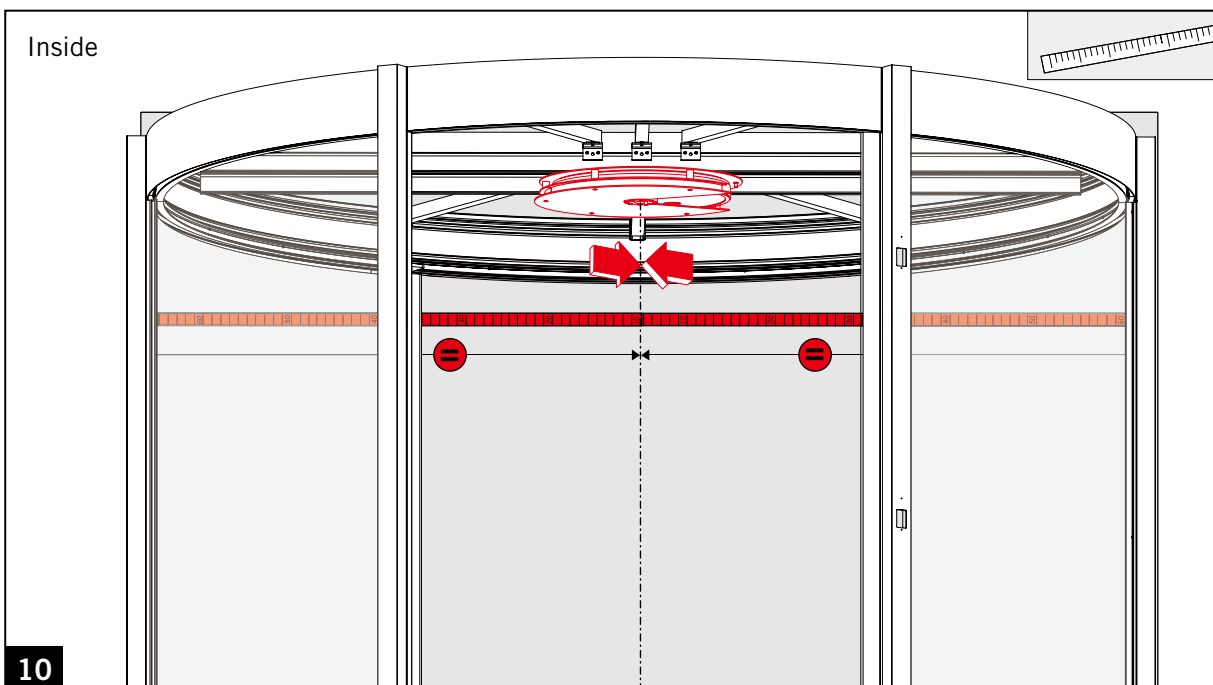


KTV-FLEX DIRECT DRIVE

Mounting the operator



► Fix the operator with screws.



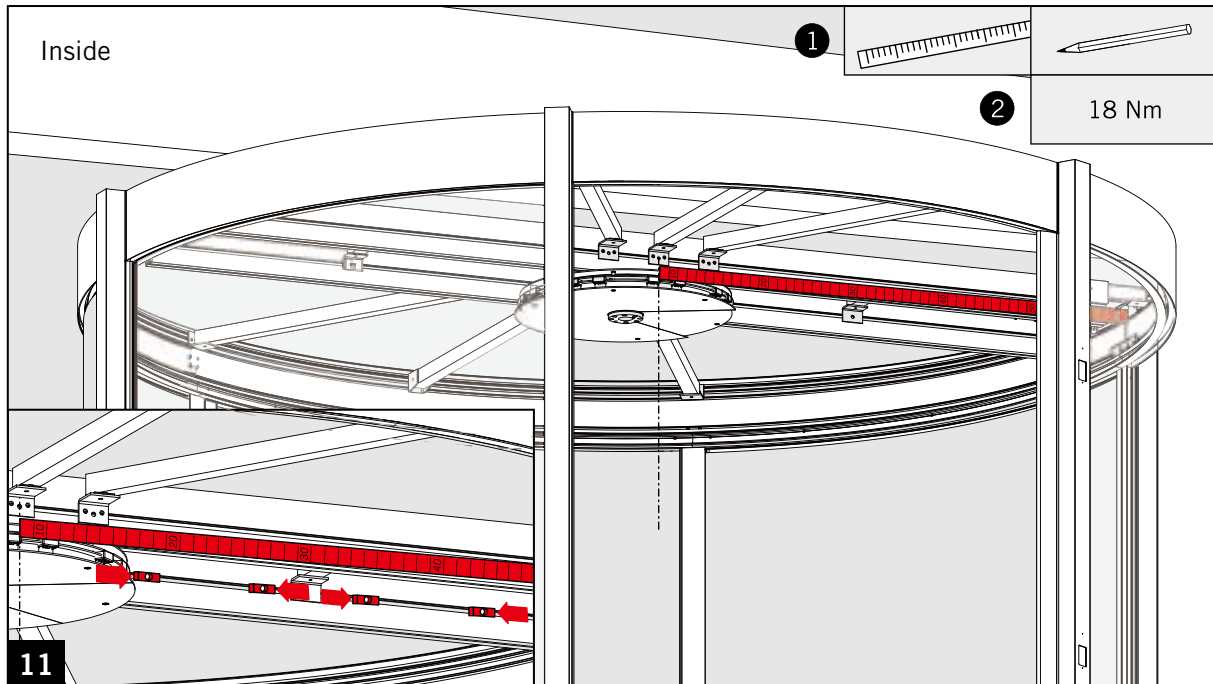
► Check operator position and adjust as required.



Falling hazard!

KTV-FLEX DIRECT DRIVE

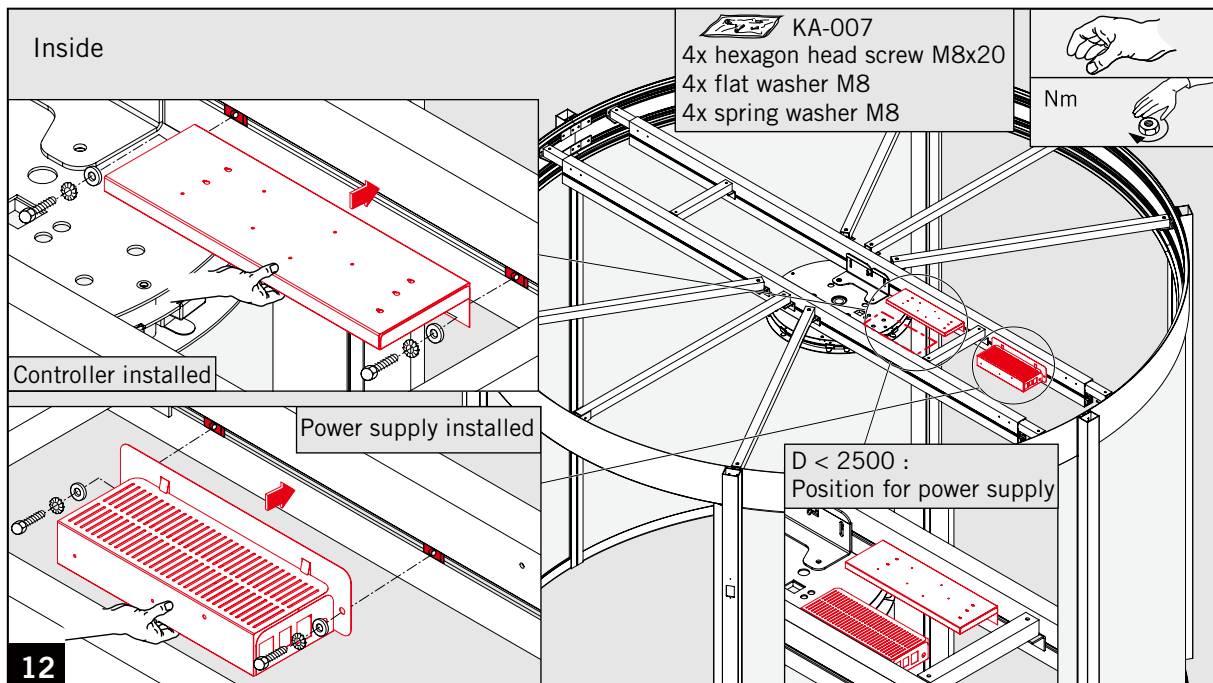
Mounting the operator



► Before mounting the control unit: Determine the position of the screw nuts and mount the nuts properly.



Falling hazard!



► Locate the control unit in position and screw down.



Always wear a helmet!

KTV-FLEX DIRECT DRIVE

Mounting the wings



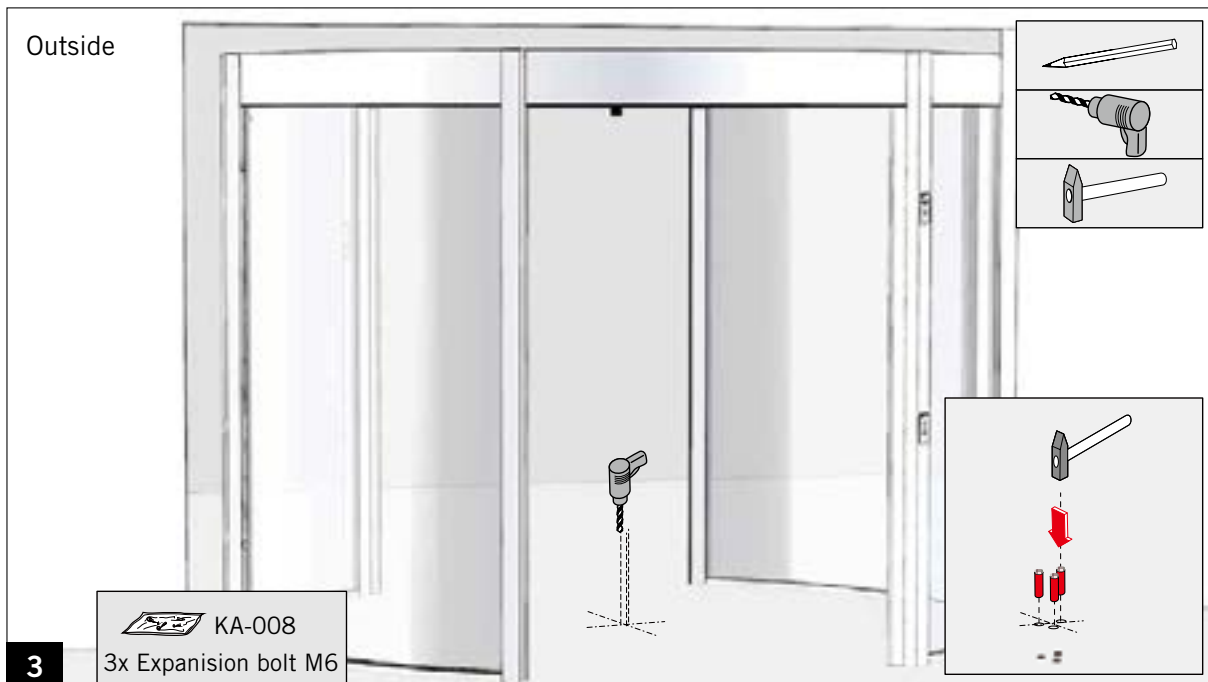
► Mark the centre with the aid of a plumb line.



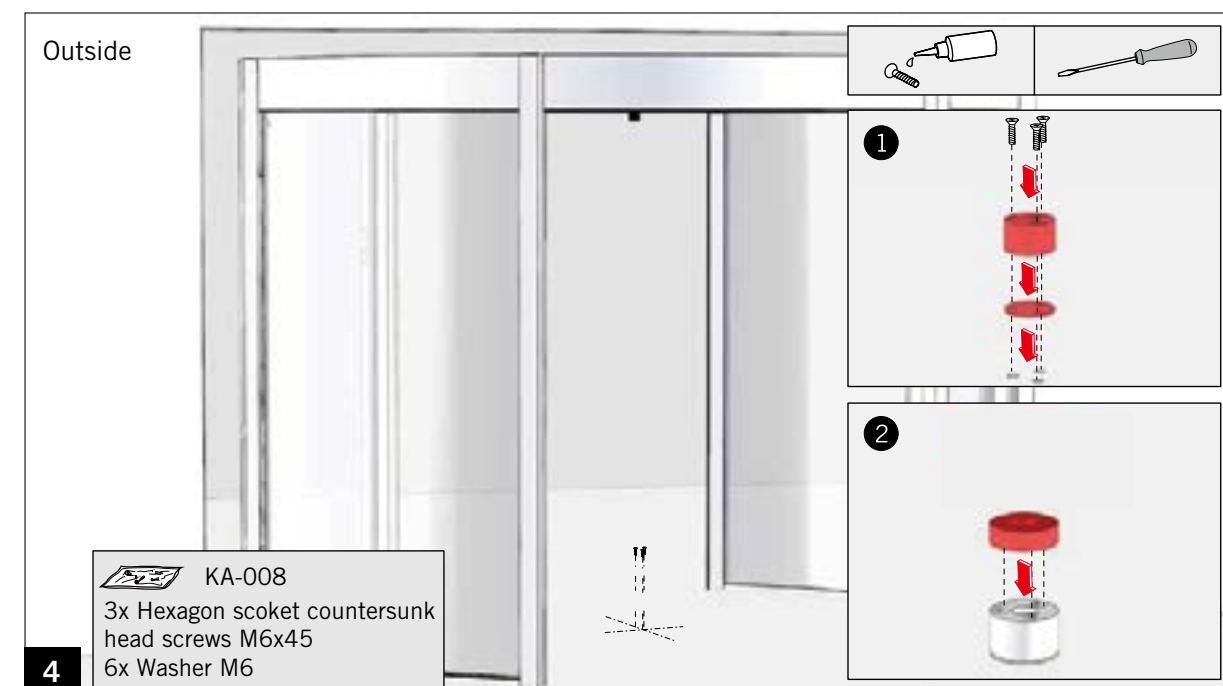
► Check and adjust the height.

KTV-FLEX DIRECT DRIVE

Mounting the wings



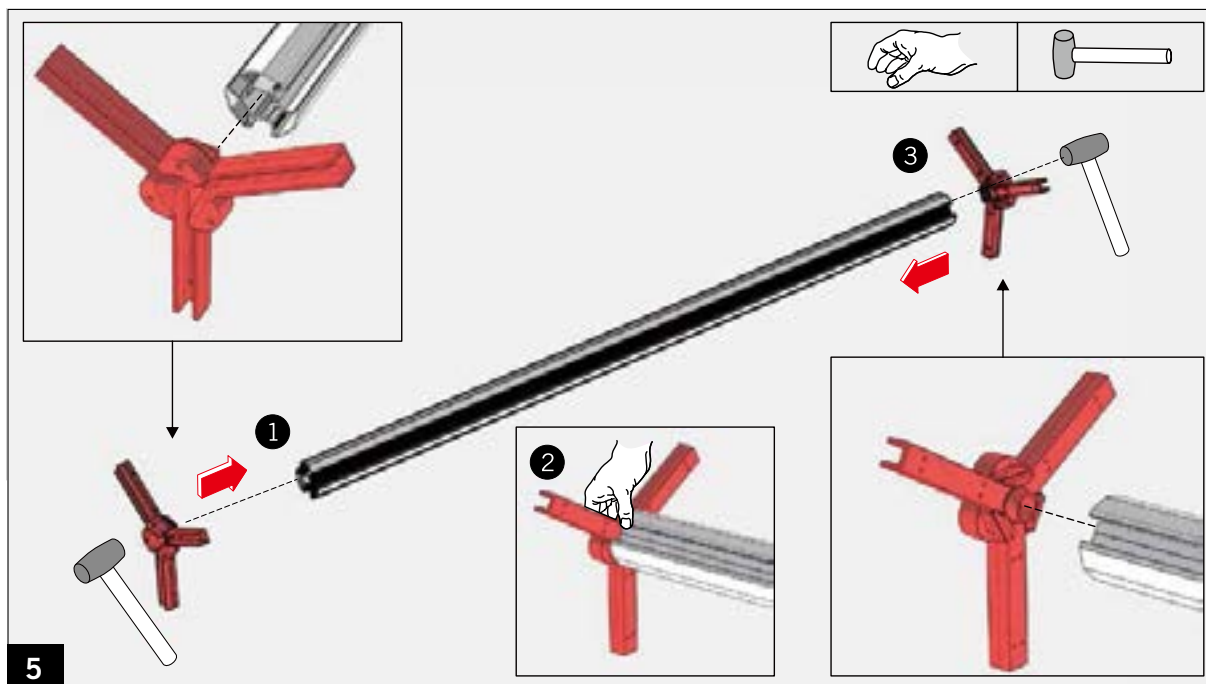
► Mark, drill and insert dowels.



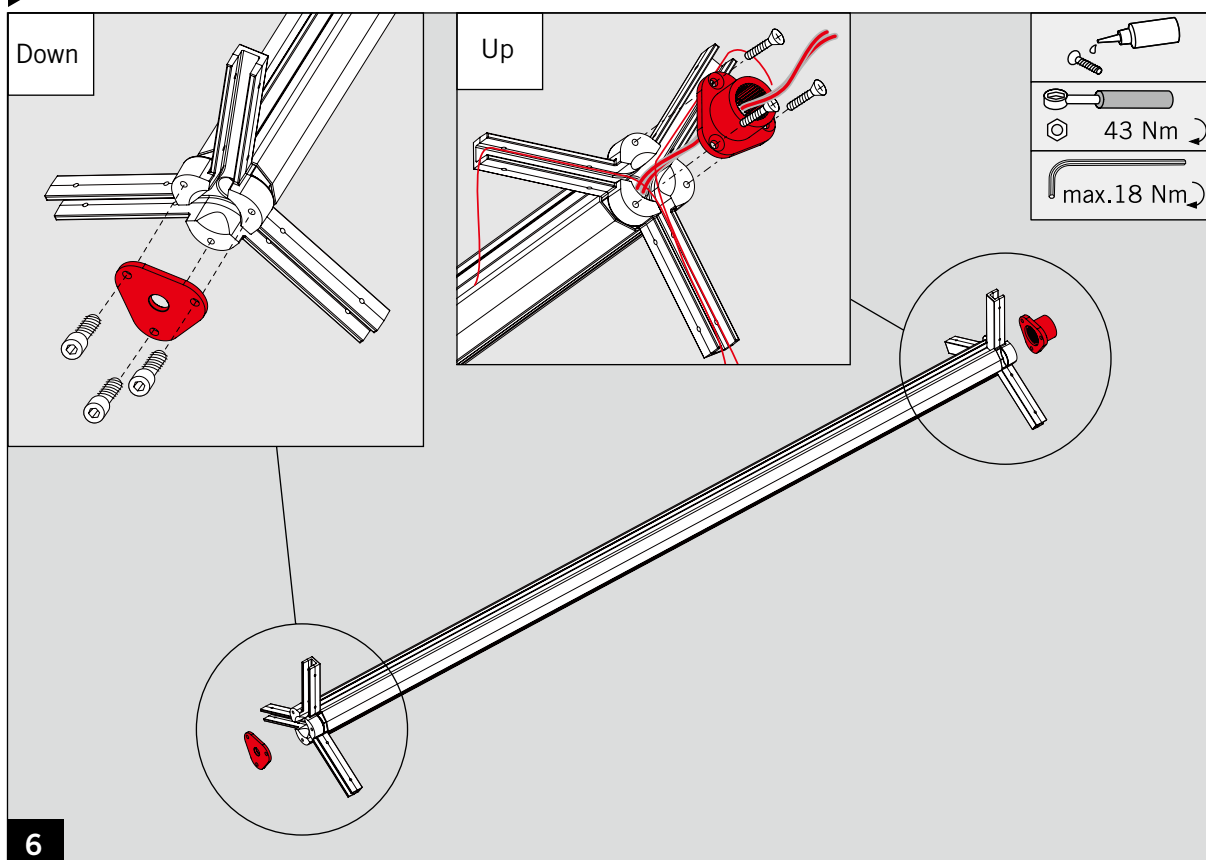
► Check and adjust the height.

KTV-FLEX DIRECT DRIVE

Mounting the wings



▶ Assemble the turnstile.



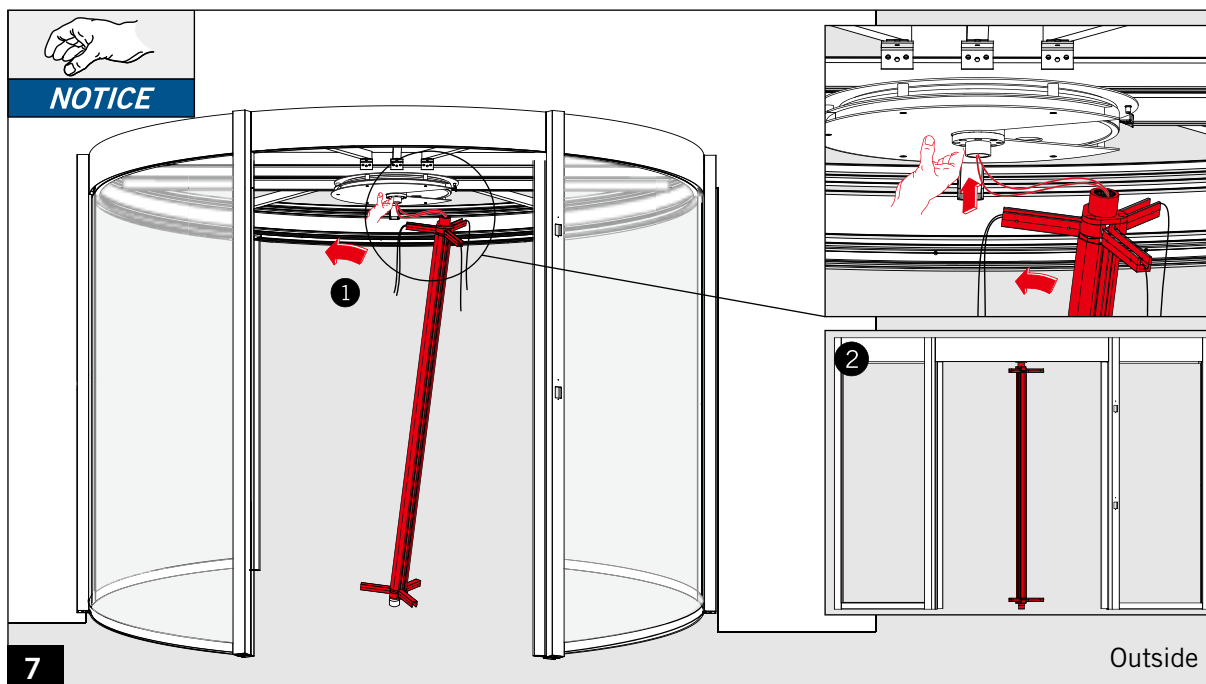
▶ Assemble the turnstile (Assembled in the factory, only used for maintenance).

▶ Only authorised people shall perform work on electrical equipment (authorisation by DORMA required).




KTV-FLEX DIRECT DRIVE

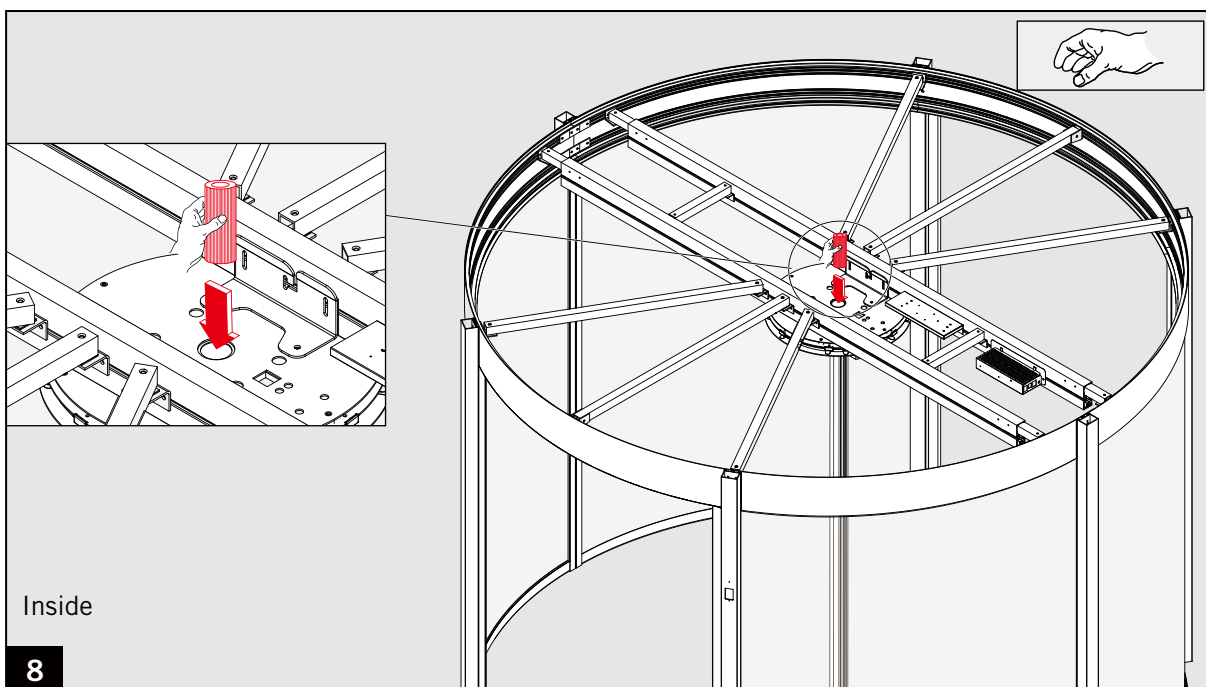
Mounting the wings




- ▶ Lay the cables and mount the turnstile.
- ▶ Only authorised people shall perform work on electrical equipment (authorisation by DORMA required).



 Falling and crushing hazard! Protect the wires!



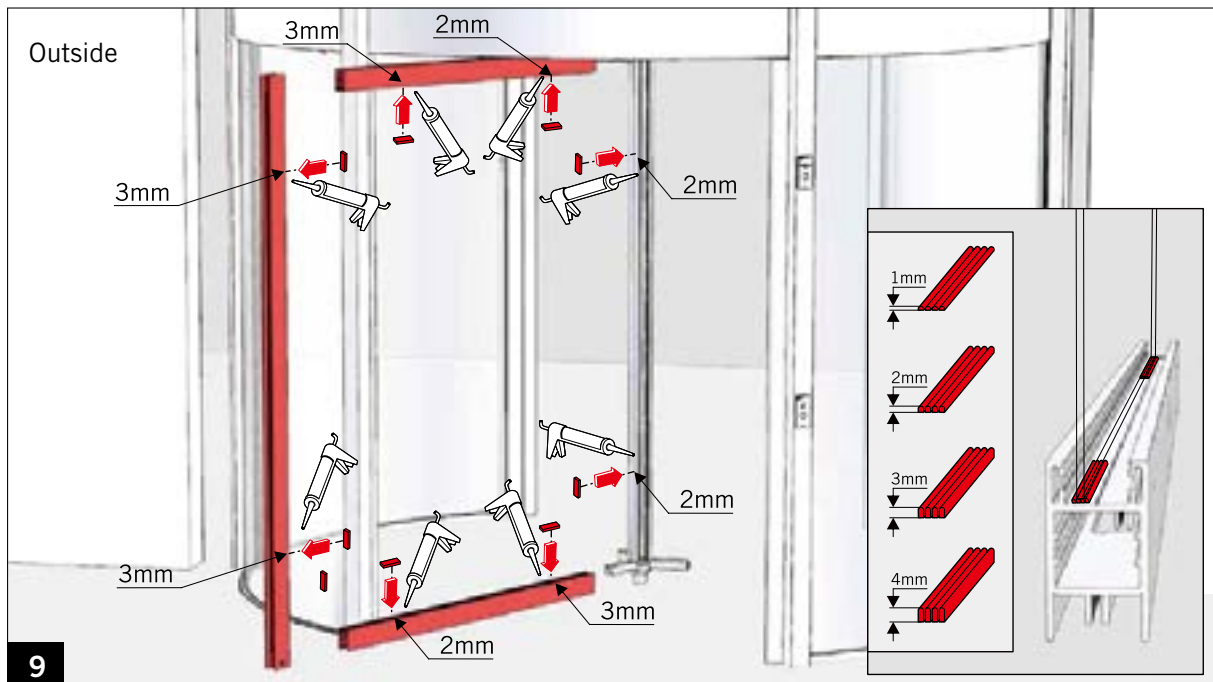
- ▶ Insert the center axis from the top.

 Falling hazard!

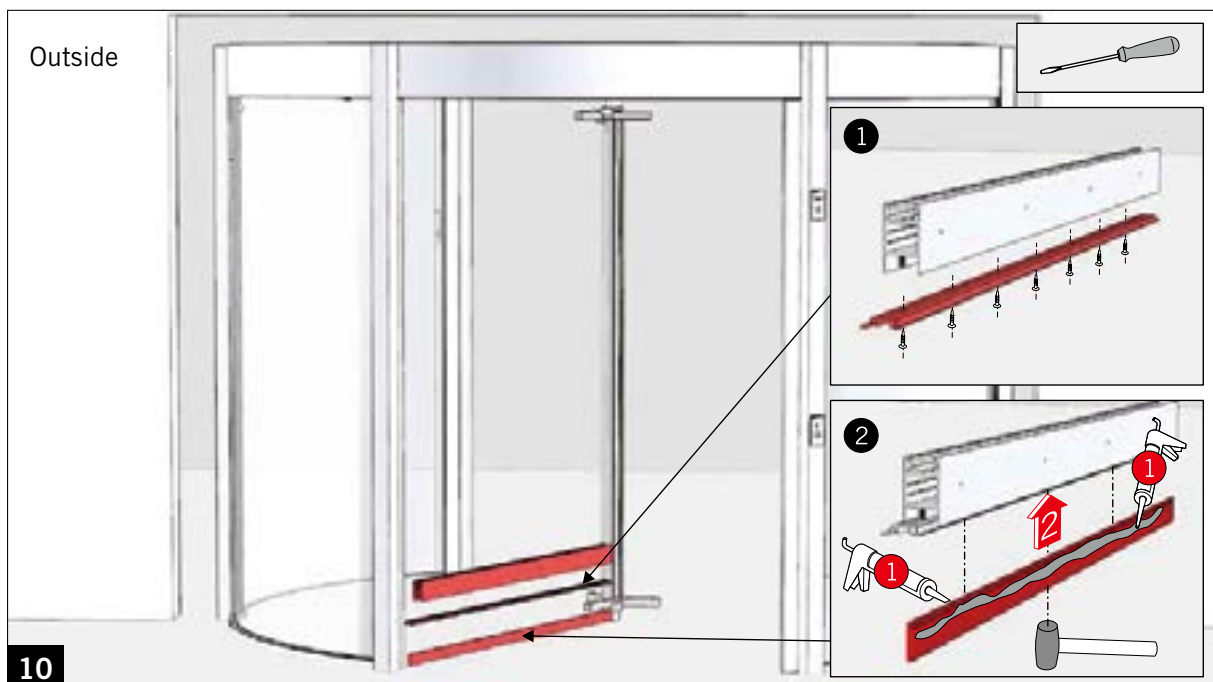


KTV-FLEX DIRECT DRIVE

Mounting the wings



► Position the small wooden blocks as indicated and fix them with silicone (Assembled in the factory, only used for maintenance).



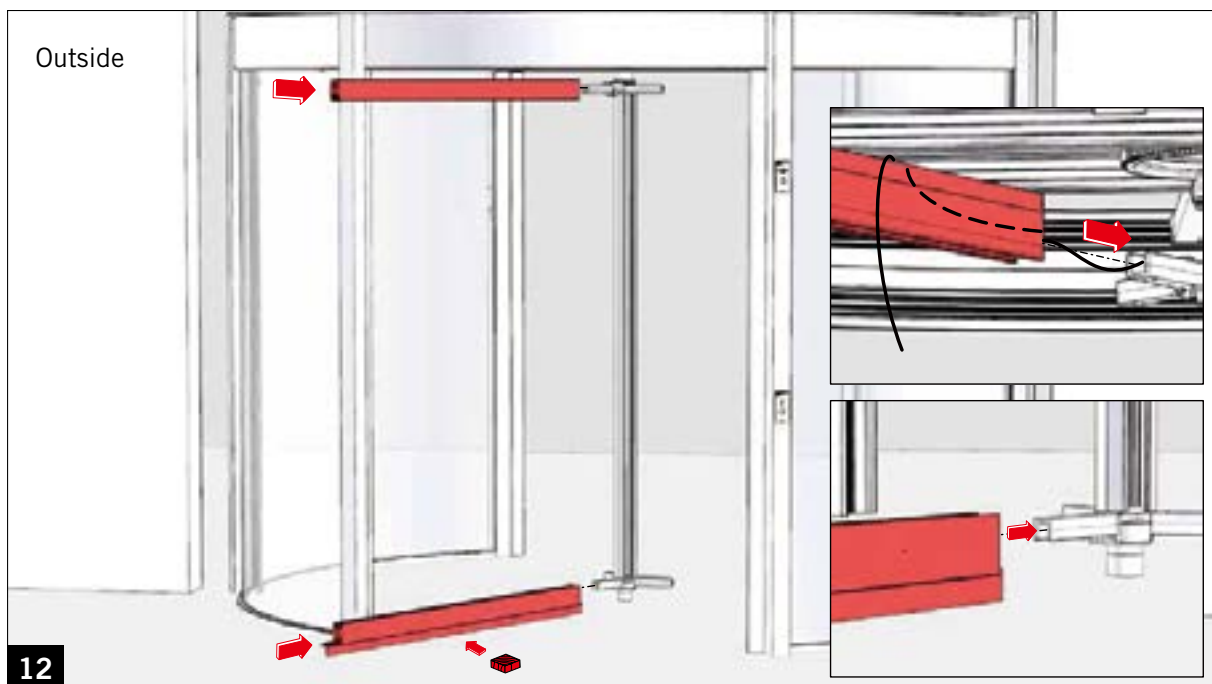
► Prepare the bottom frame profile (Assembled in the factory, only used for maintenance).

KTV-FLEX DIRECT DRIVE

Mounting the wings



- Prepare the profiles. Remove the protective foil from the adhesive tape (Assembled in the factory, only used for maintenance).



- Lay the cables and position the profiles.

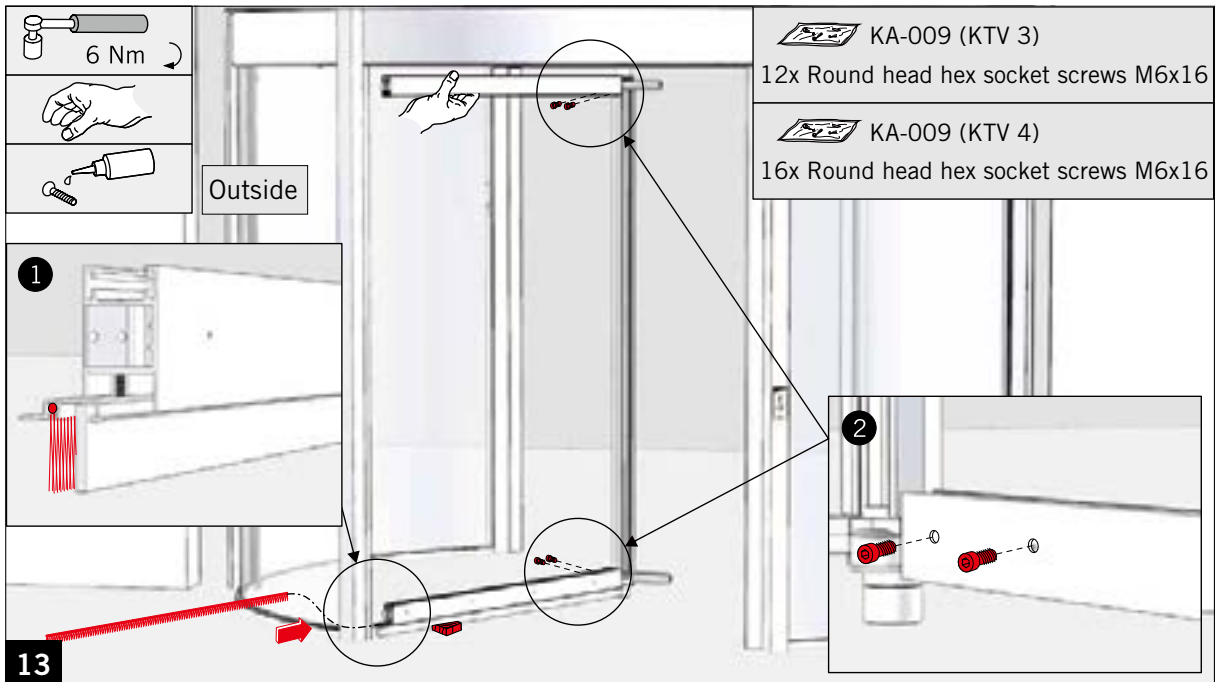


Only authorised people shall perform work on electrical equipment (authorisation by DORMA required).



KTV-FLEX DIRECT DRIVE

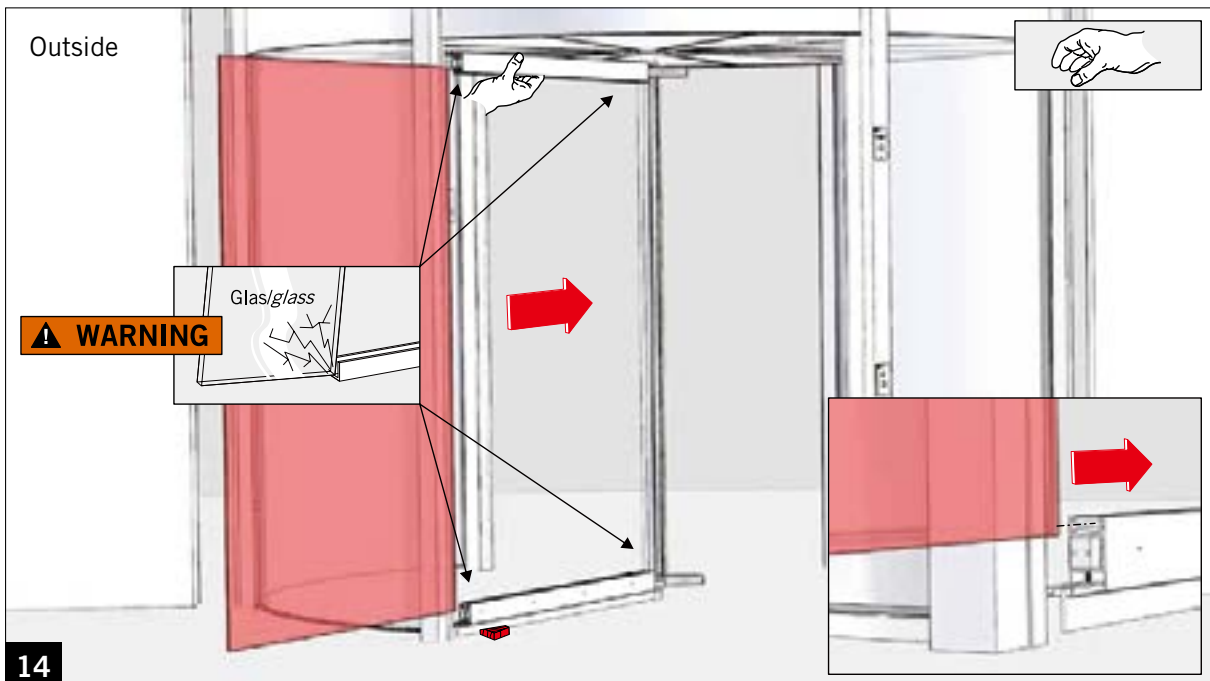
Mounting the wings



► Fix the profiles with screws. Attach the brush seals.



Falling hazard! Secure the top profile!



► Locate the glass pane in position.

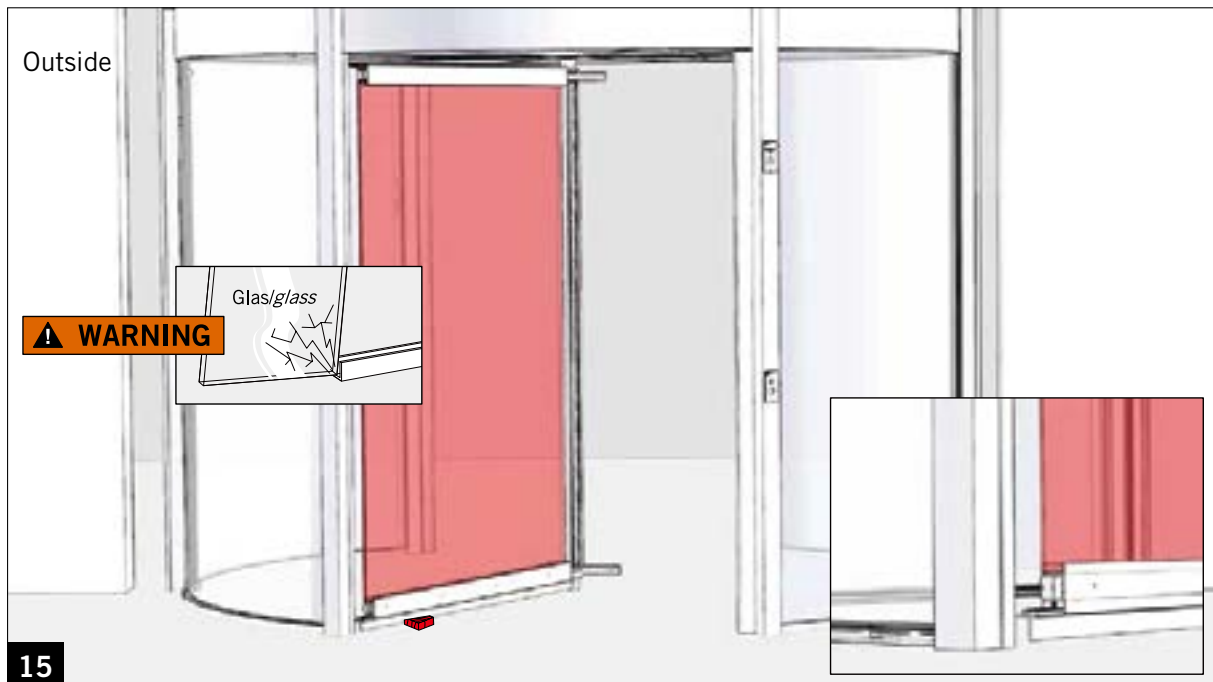


Be careful not to break the glass! Wear a helmet and safety gloves.



KTV-FLEX DIRECT DRIVE


Mounting the wings

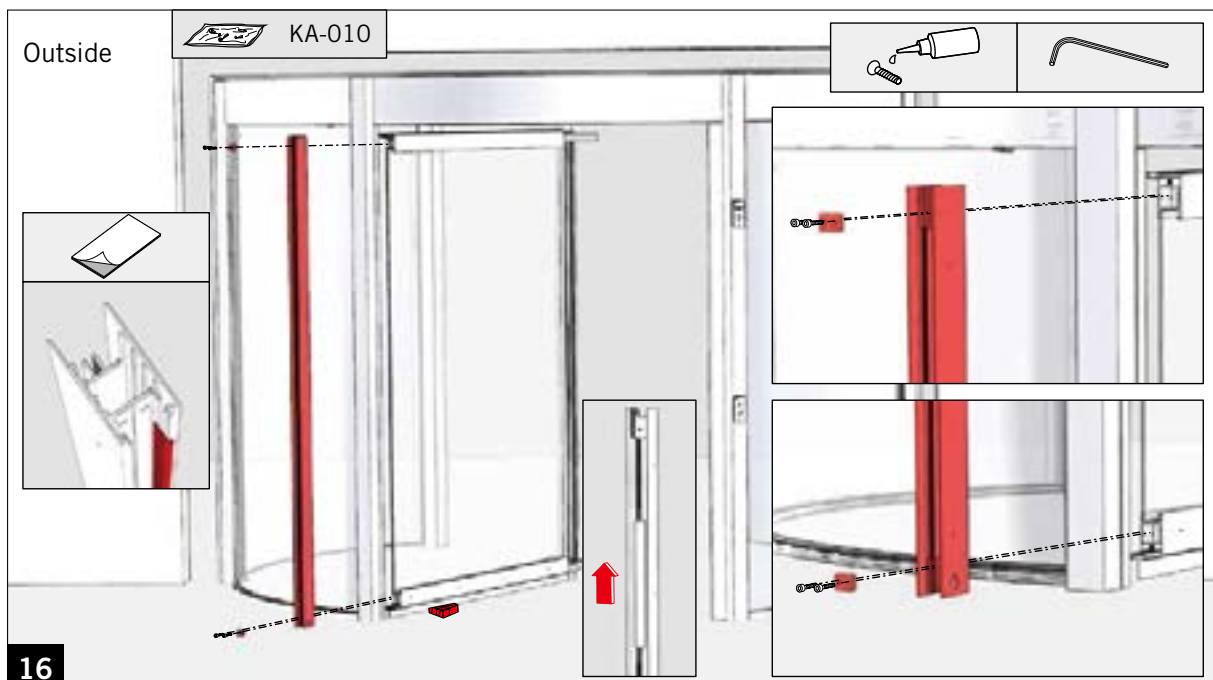


15

▶ Locate the glass pane in position.




 Be careful not to break the glass! Wear a helmet and safety gloves.



16

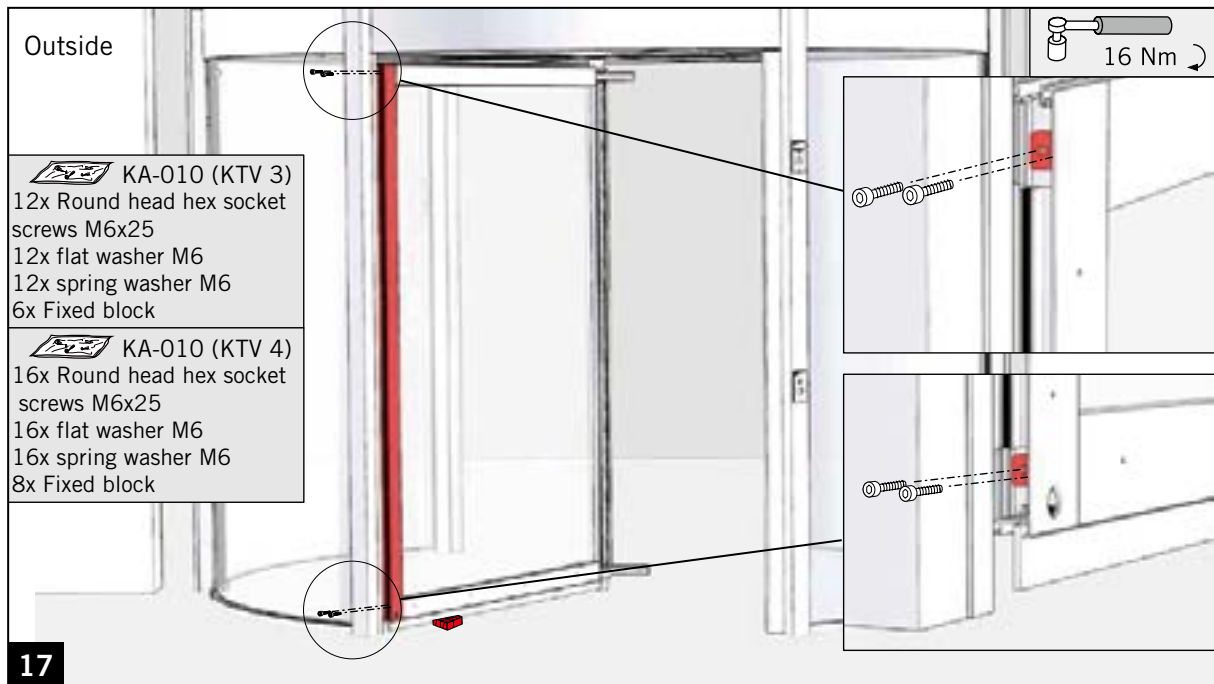
▶ Remove the protective foil and screw down the profile. The lock case is located at the top.



 Be careful not to break the glass! Wear a helmet and safety gloves.

KTV-FLEX DIRECT DRIVE

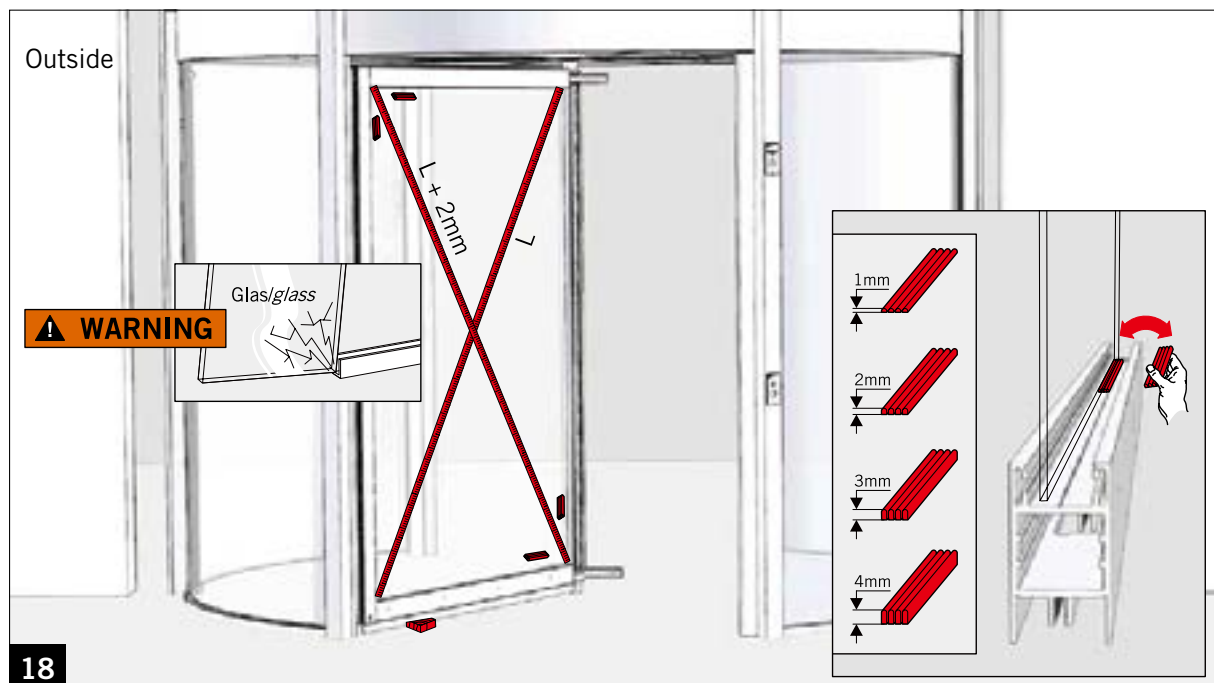
Mounting the wings



► Fix the profile with screws.



⚠ Pay attention not to break the glass or to shear or cut your fingers!
Wear a helmet and safety gloves.



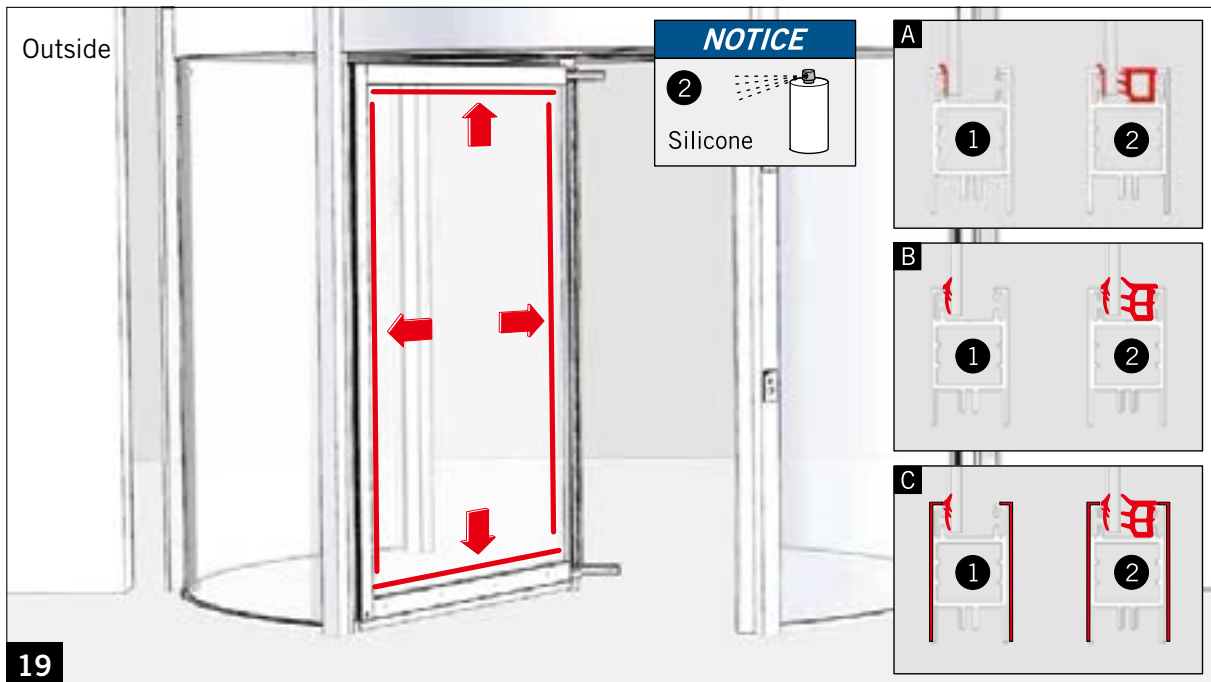
► Check the glass pane for proper positioning and adjust it with the aid of these small wooden blocks.



⚠ Pay attention not to break the glass or to shear or cut your fingers!
Wear a helmet and safety gloves.

KTV-FLEX DIRECT DRIVE

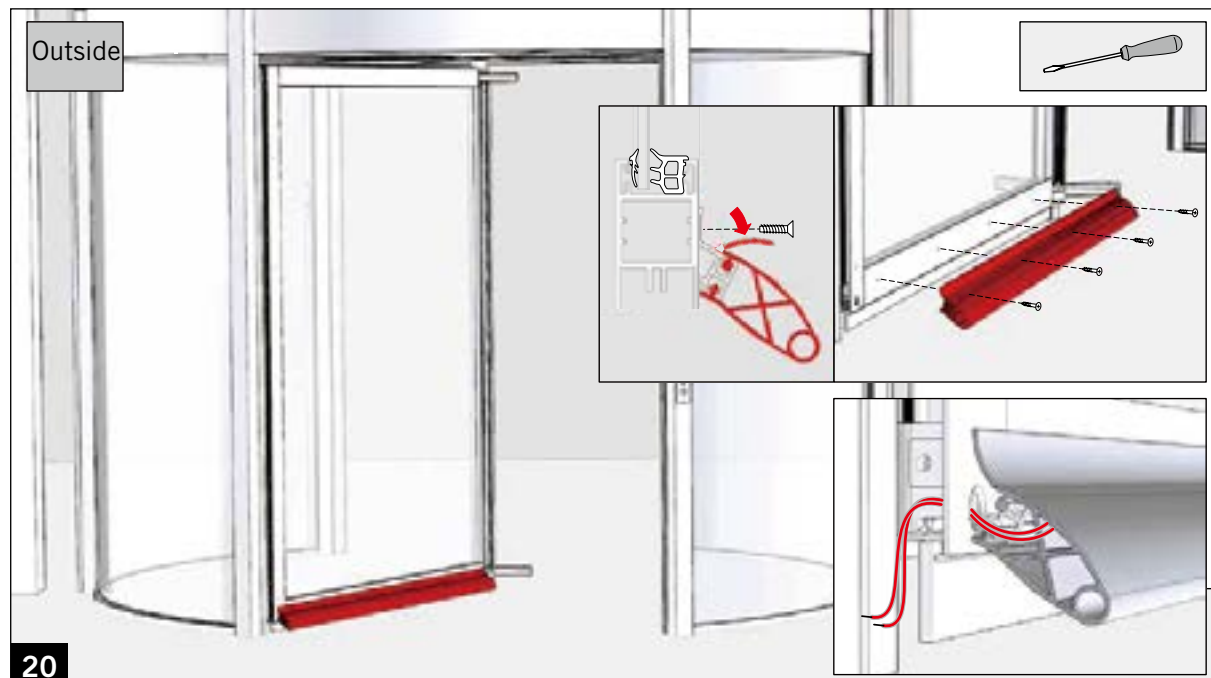
Mounting the wings



► Mount the seals.



Wear safety gloves.



► Fix the safety contact strip (Assembled in the factory, only used for maintenance).

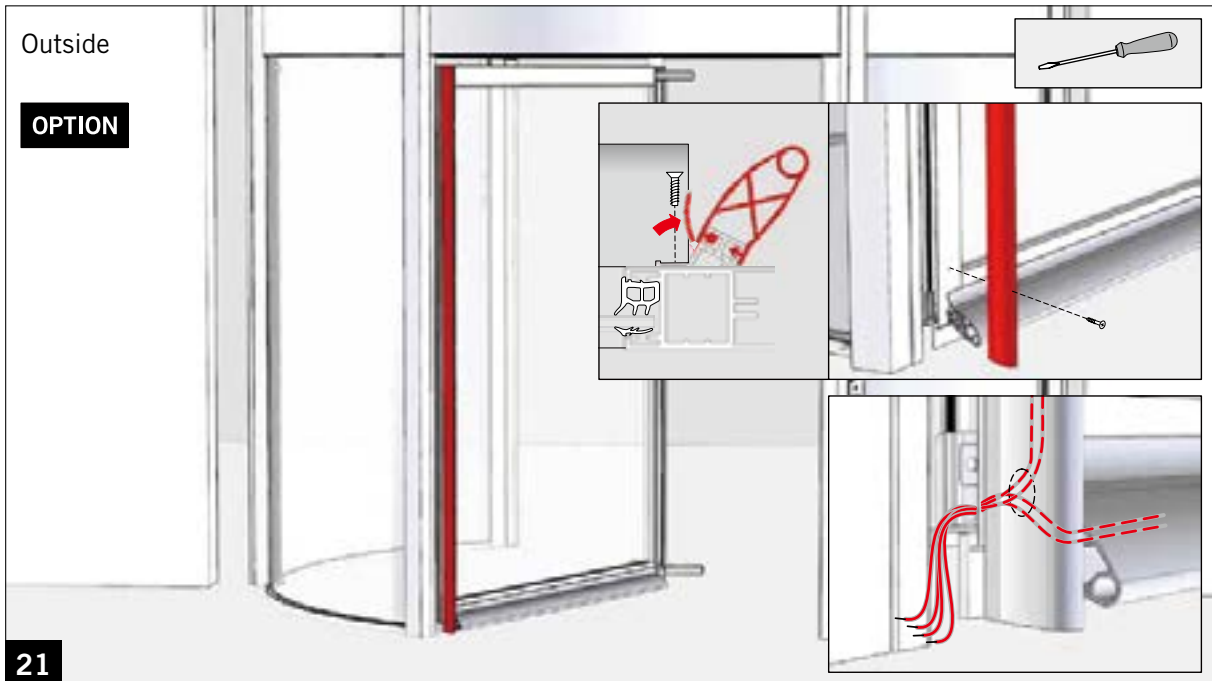


Only authorised people shall perform work on electrical equipment (authorisation by DORMA required).
Pay attention not to damage the cables.



KTV-FLEX DIRECT DRIVE

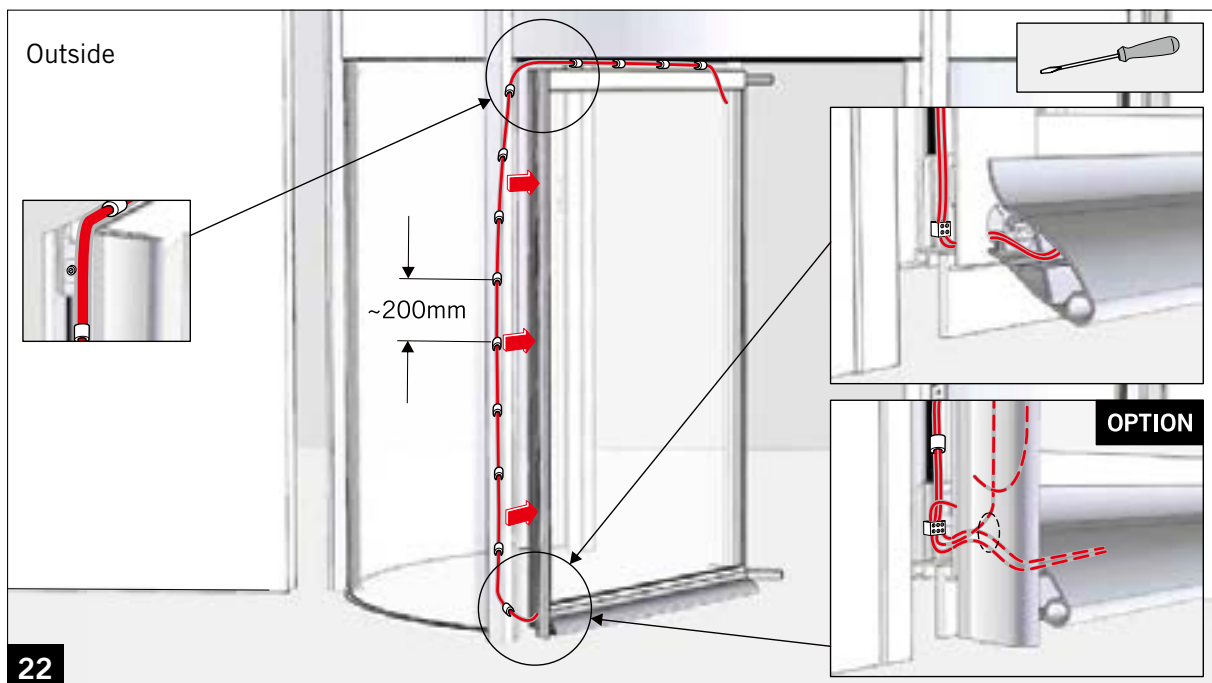
Mounting the wings



► Fix the safety contact strip(Assembled in the factory, only used for maintenance).



Only authorised people shall perform work on electrical equipment (authorisation by DORMA required).
Pay attention not to damage the cables.



► Lay the cables.

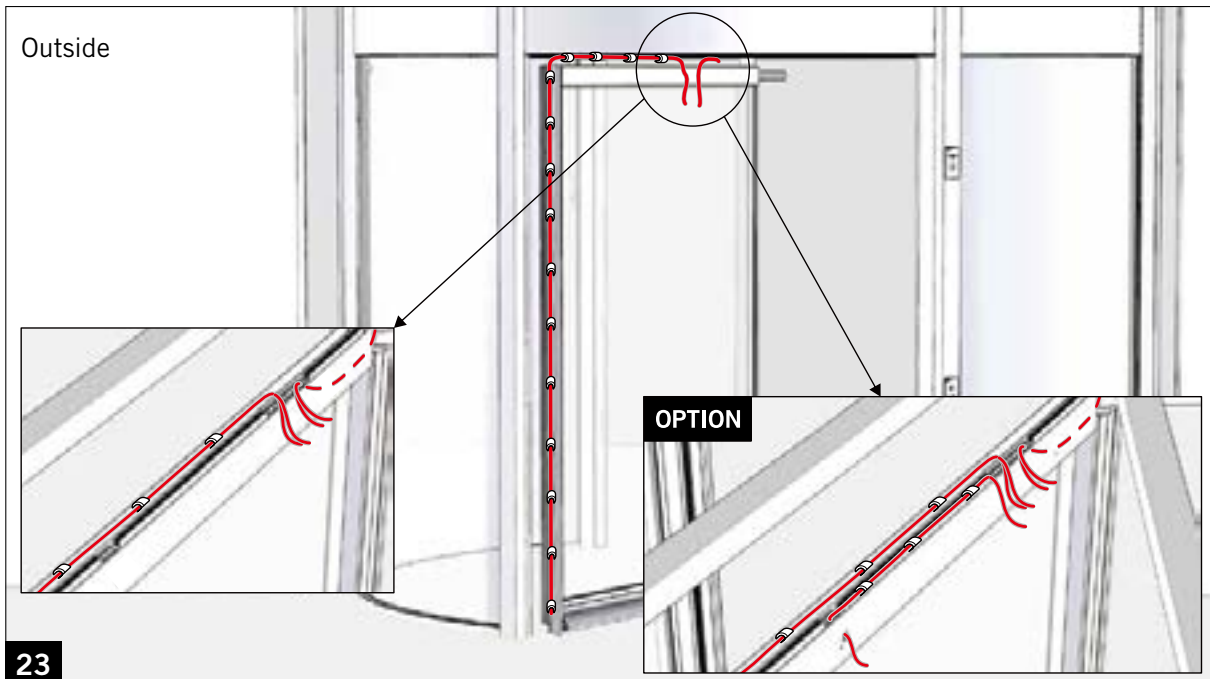


Falling hazard!
Only authorised people shall perform work on electrical equipment(authorisation by DORMA required).
Pay attention not to damage the cables.



KTV-FLEX DIRECT DRIVE

Mounting the wings



23

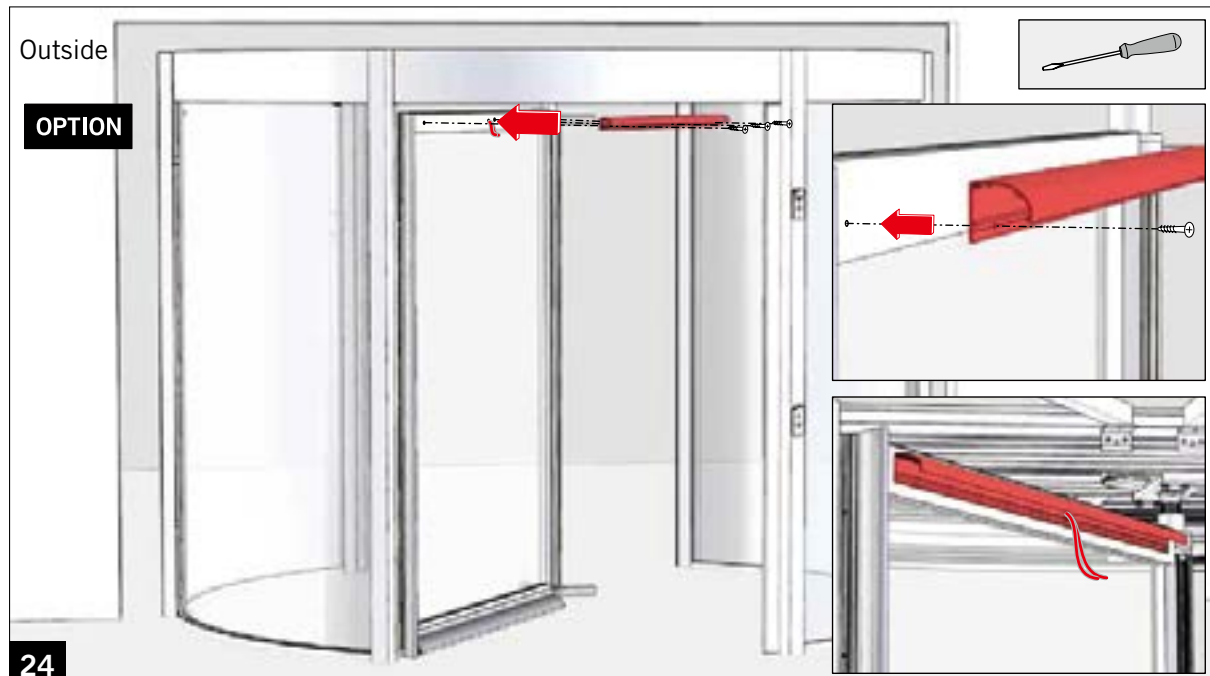
► Lay the cables.



Falling hazard!

Only authorised people shall perform work on electrical equipment (authorisation by DORMA required).

Pay attention not to damage the cables.



24

► Fix the safety sensor. Lay the cables. (Assembled in the factory, only used for maintenance).



Falling hazard!

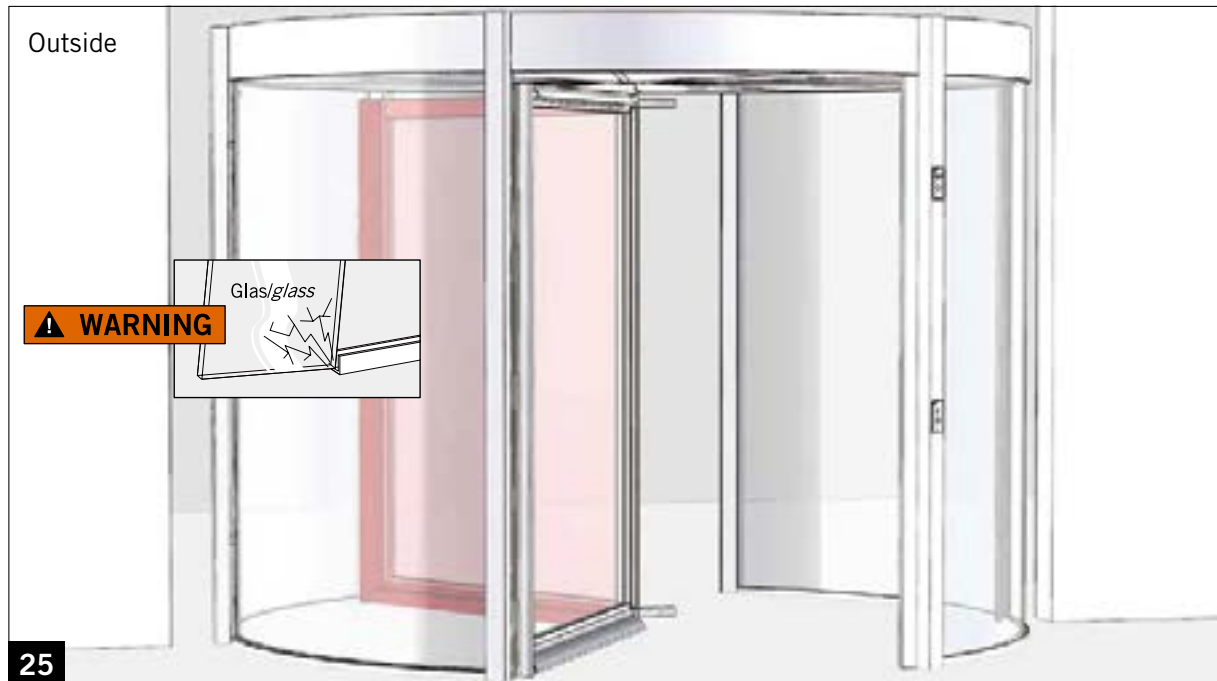
Only authorised people shall perform work on electrical equipment (authorisation by DORMA required).

Pay attention not to damage the cables.



KTV-FLEX DIRECT DRIVE

Mounting the wings



► Mount the second door wing.



! Be careful not to break the glass! Wear a helmet and safety gloves.



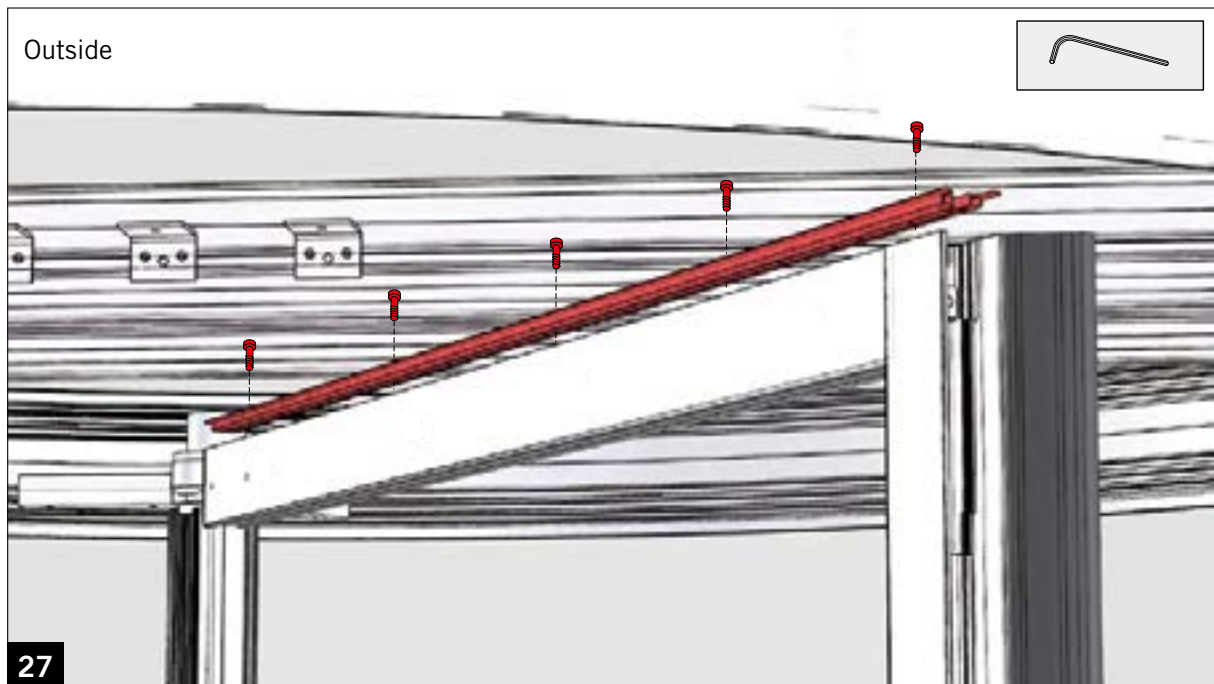
► Mount the third door wing.



! Be careful not to break the glass! Wear a helmet and safety gloves.

KTV-FLEX DIRECT DRIVE

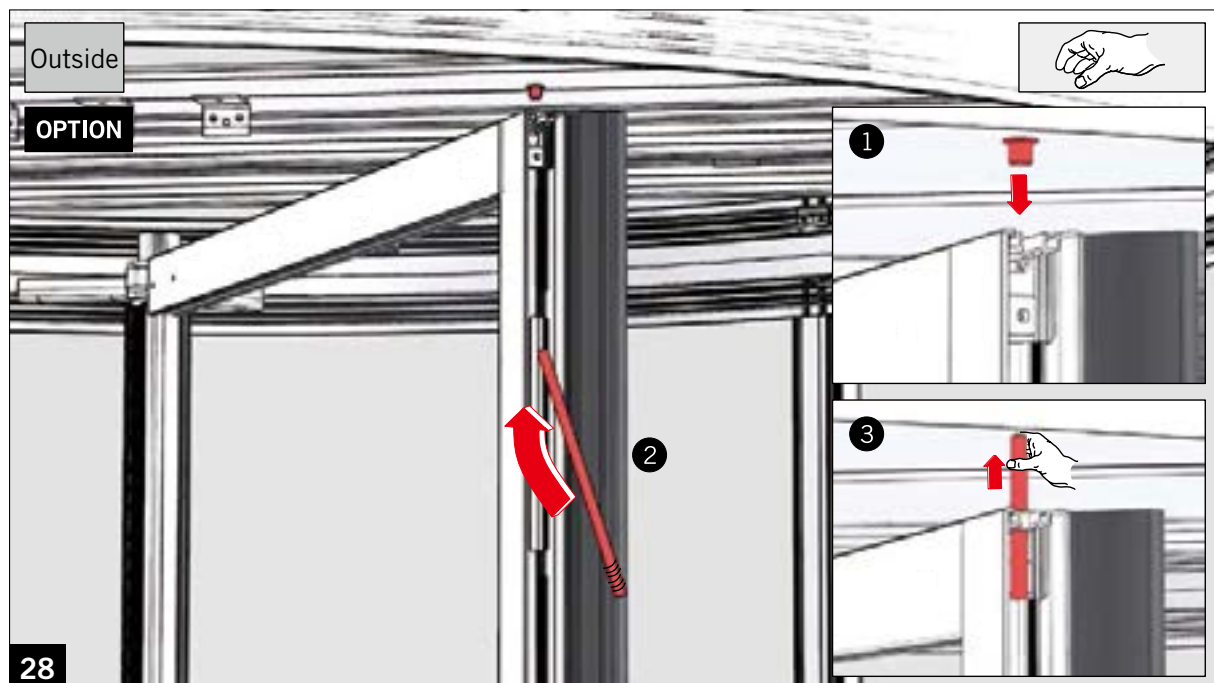
Mounting the wings



► Mount the cover (Assembled in the factory, only used for maintenance).



Falling hazard!



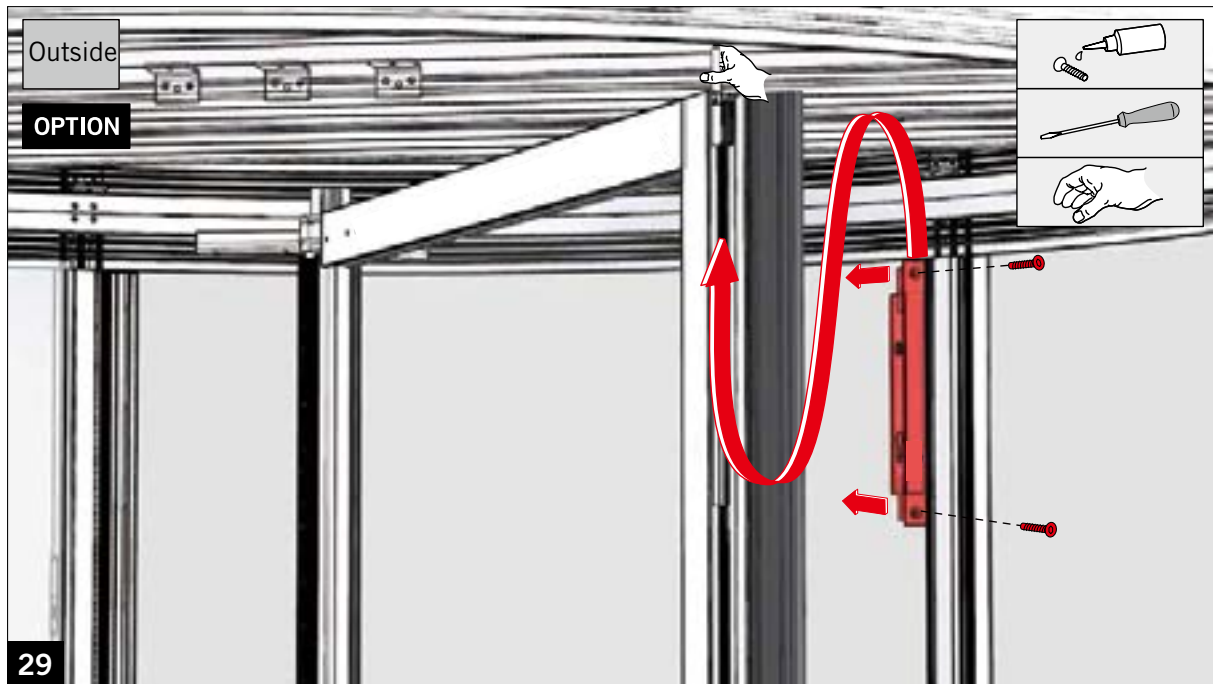
► Mounting the manual locking device (Assembled in the factory, only used for maintenance).



Falling hazard!


KTV-FLEX DIRECT DRIVE

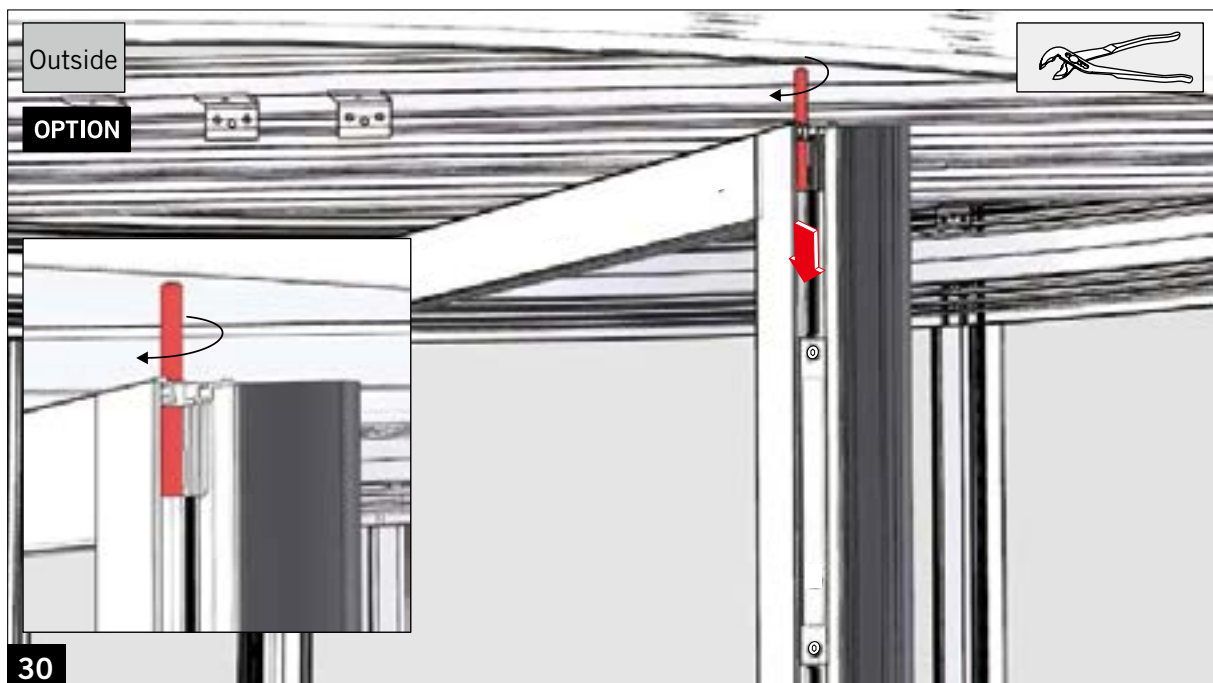
Mounting the wings



▶ Mounting the manual locking device (Assembled in the factory, only used for maintenance).




 Falling hazard!



▶ Mounting the manual locking device (Assembled in the factory, only used for maintenance).



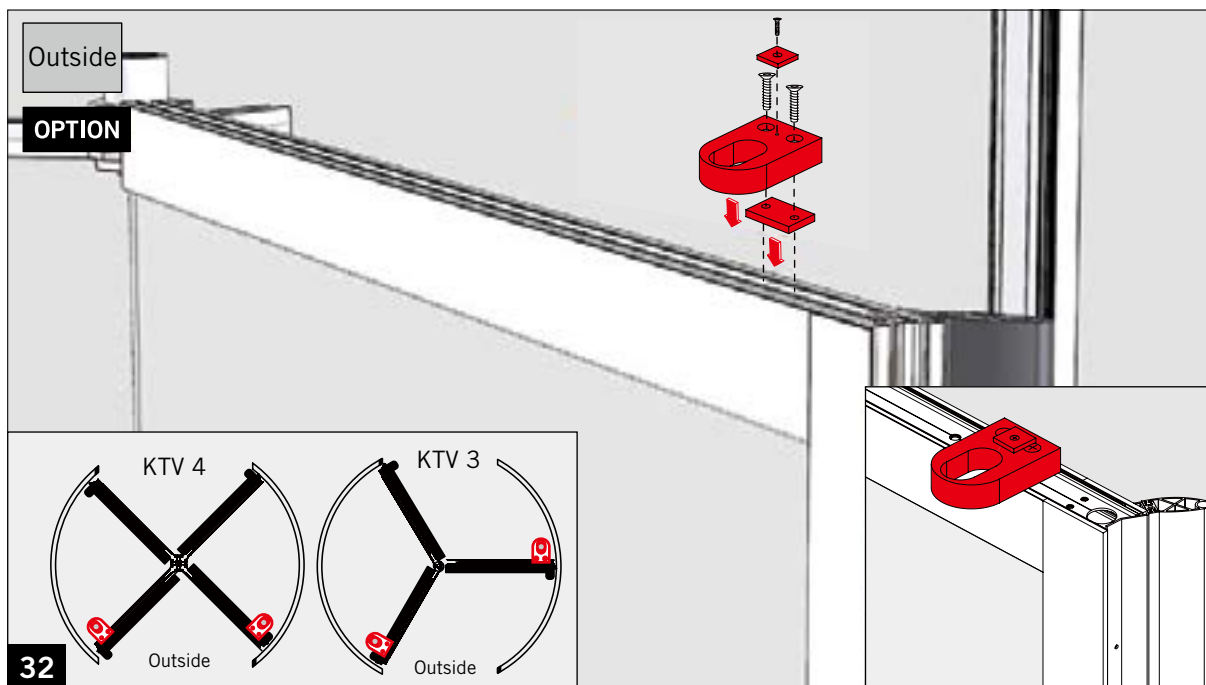
 Falling hazard!

KTV-FLEX DIRECT DRIVE

Mounting the wings



▶ Mounting the manual locking device (Assembled in the factory, only used for maintenance).



▶ Mount latch plate (Assembled in the factory, only used for maintenance).

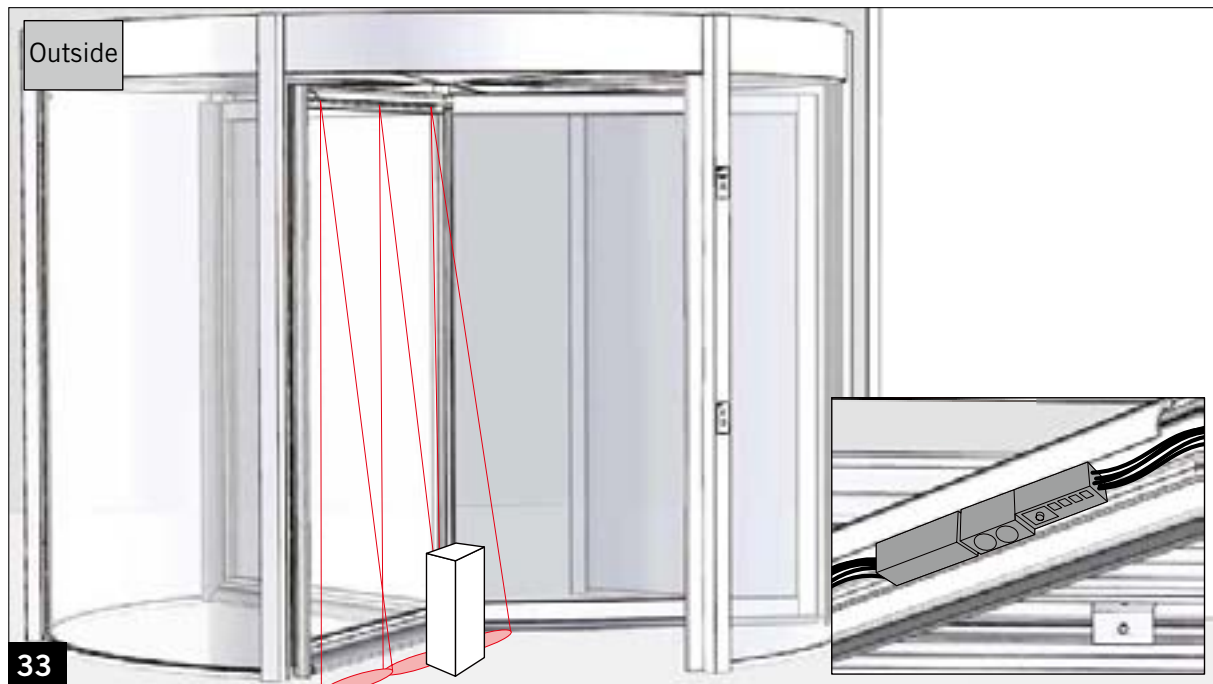


Falling hazard!



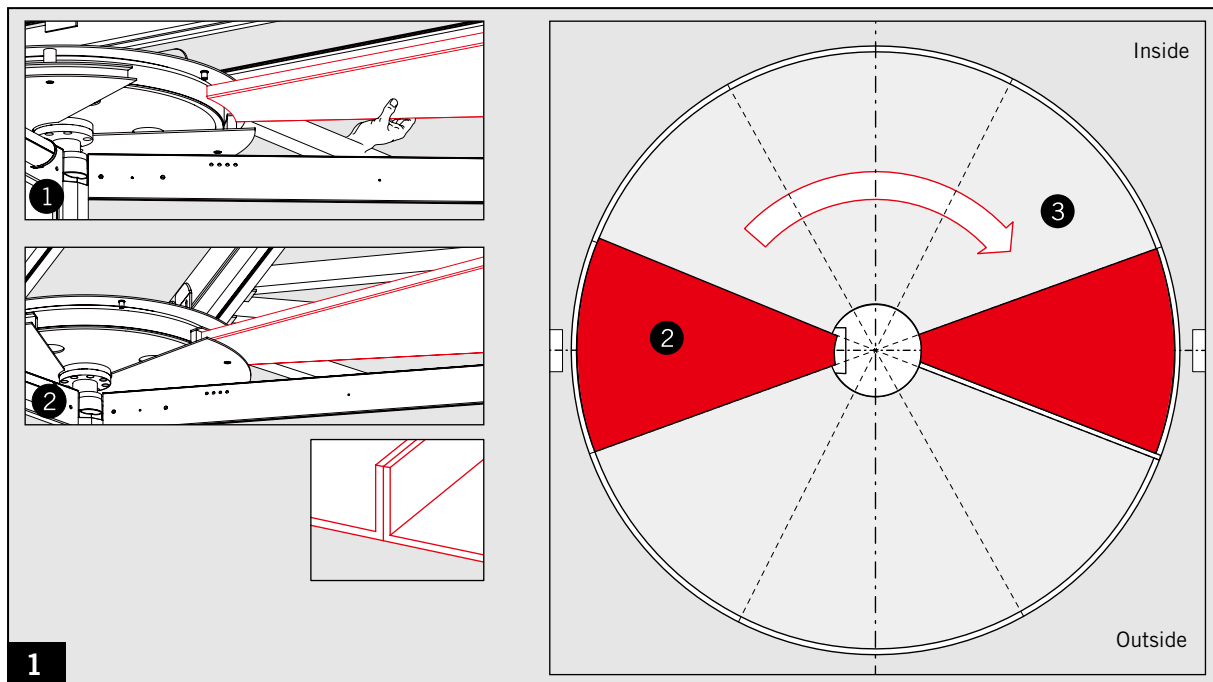
KTV-FLEX DIRECT DRIVE

Mounting the wings



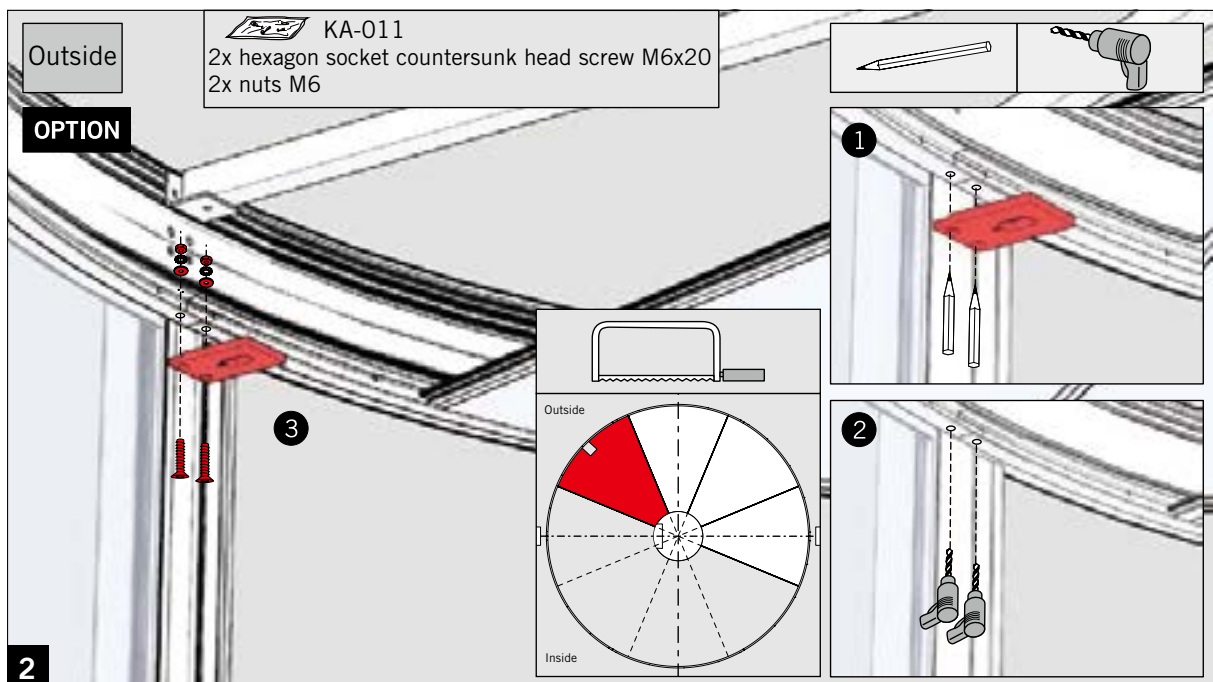
KTV-FLEX DIRECT DRIVE

Mounting the inner ceiling (metal plate)



1

► Mount the first ceiling panel.



Outside

KA-011
2x hexagon socket countersunk head screw M6x20
2x nuts M6

OPTION

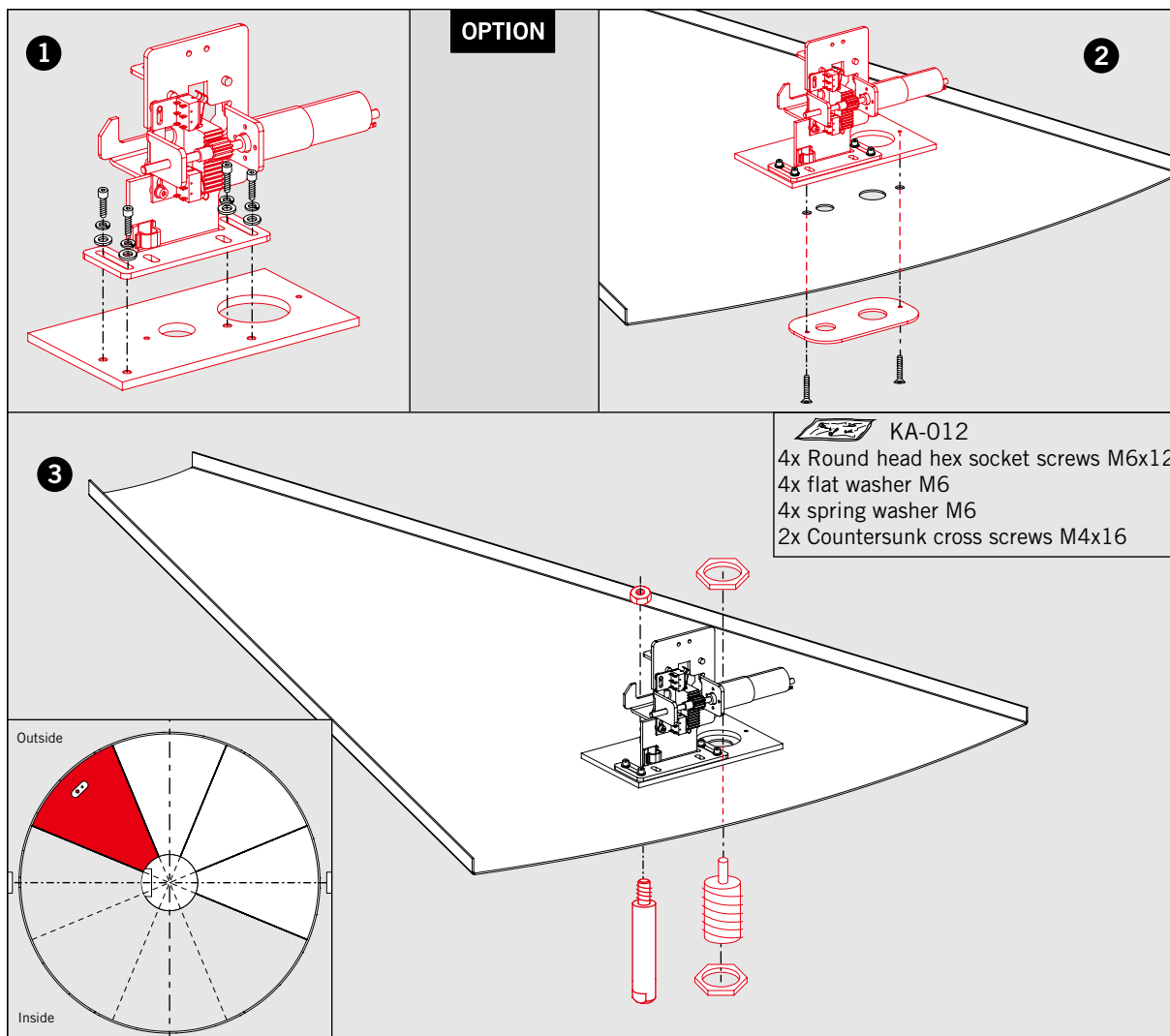
2

► Mount the latch plate and cut a corresponding hole into the ceiling panel.

► Pay attention not to damage the edges of the panels.

KTV-FLEX DIRECT DRIVE

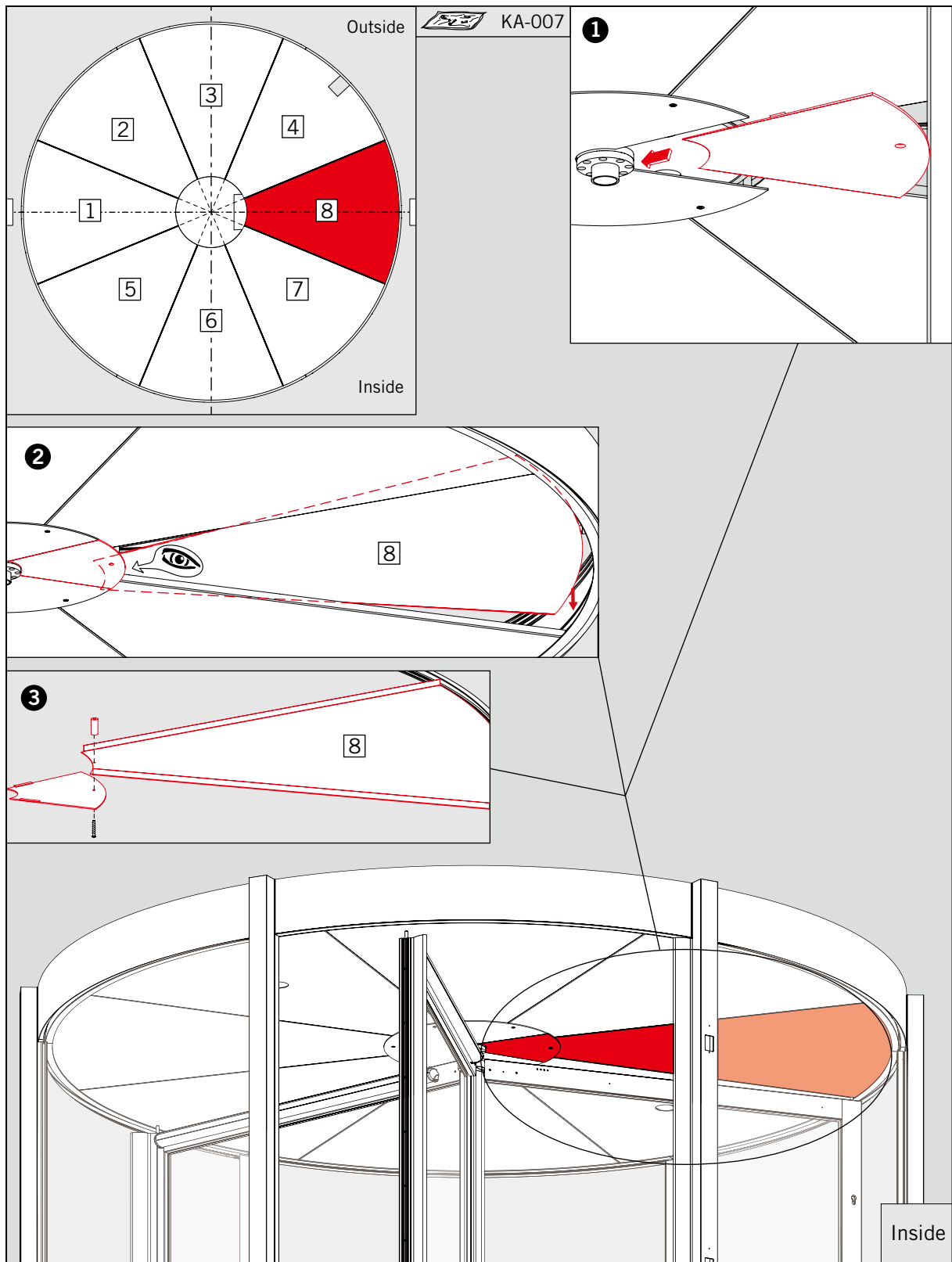
Mounting the inner ceiling (metal plate)



► Electric lock installation diagram.

KTV-FLEX DIRECT DRIVE

Mounting the inner ceiling (metal plate)



▶ Mount the last ceiling panel.

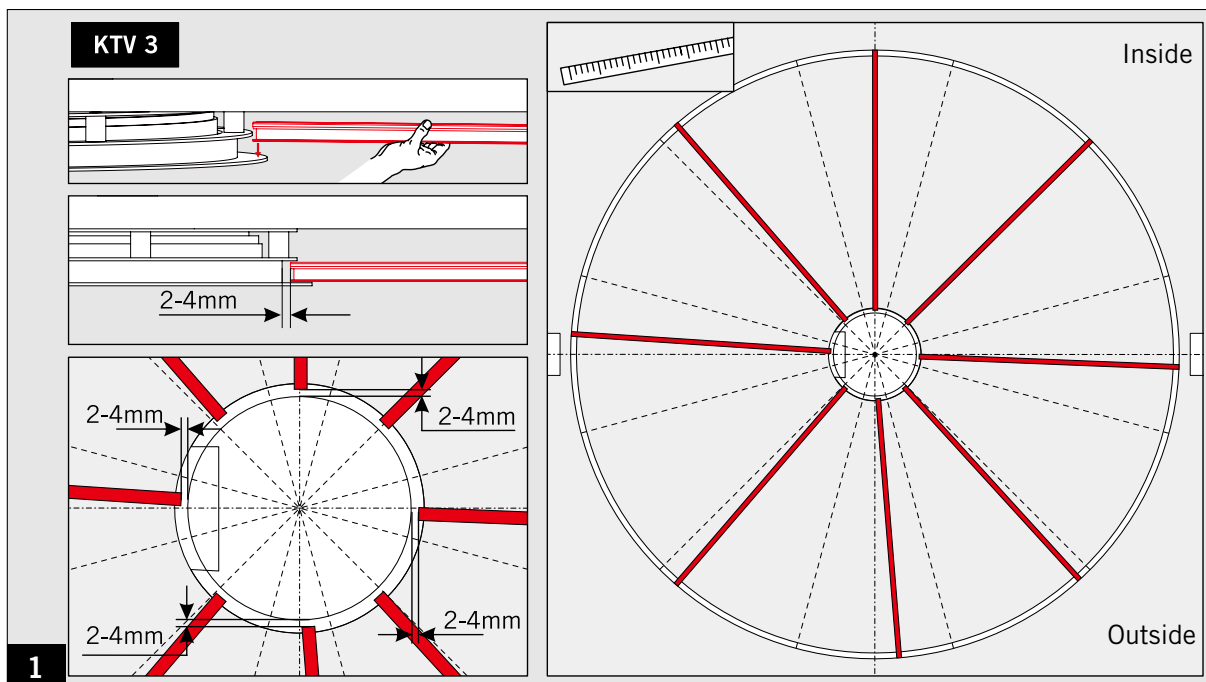


Falling hazard!



KTV-FLEX DIRECT DRIVE

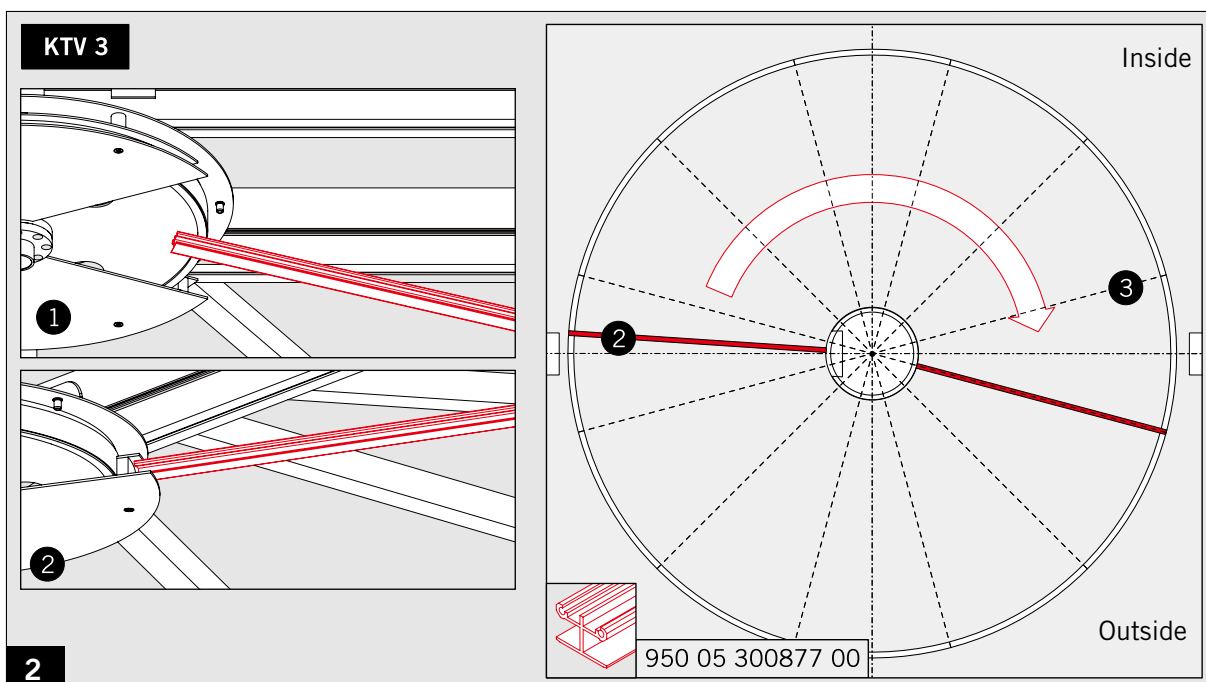
Mounting the inner ceiling (wood)



► Use a profile to check if the system is properly centred.



Falling hazard!



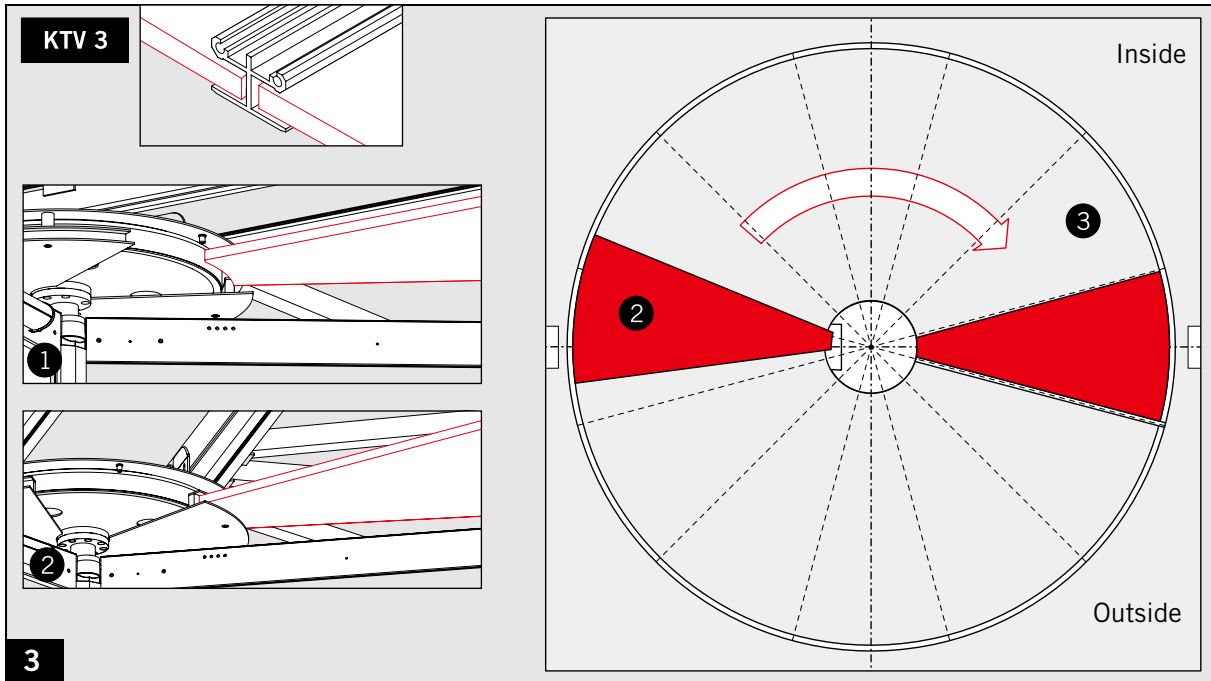
► Position the first profile.



Falling hazard!

KTV-FLEX DIRECT DRIVE

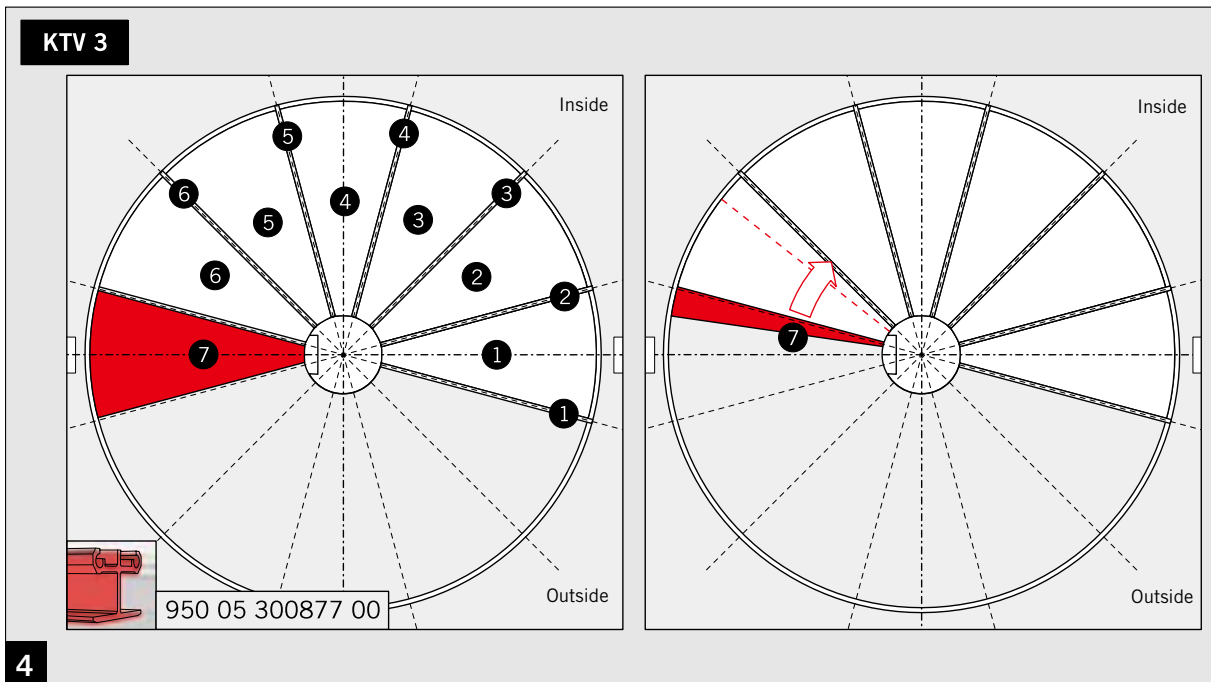
Mounting the inner ceiling (wood)



▶ Mount the first ceiling panel.



Crushing and falling hazard!



▶ Mount all profiles and ceiling panels. Slide the seventh panel above the already mounted ones.

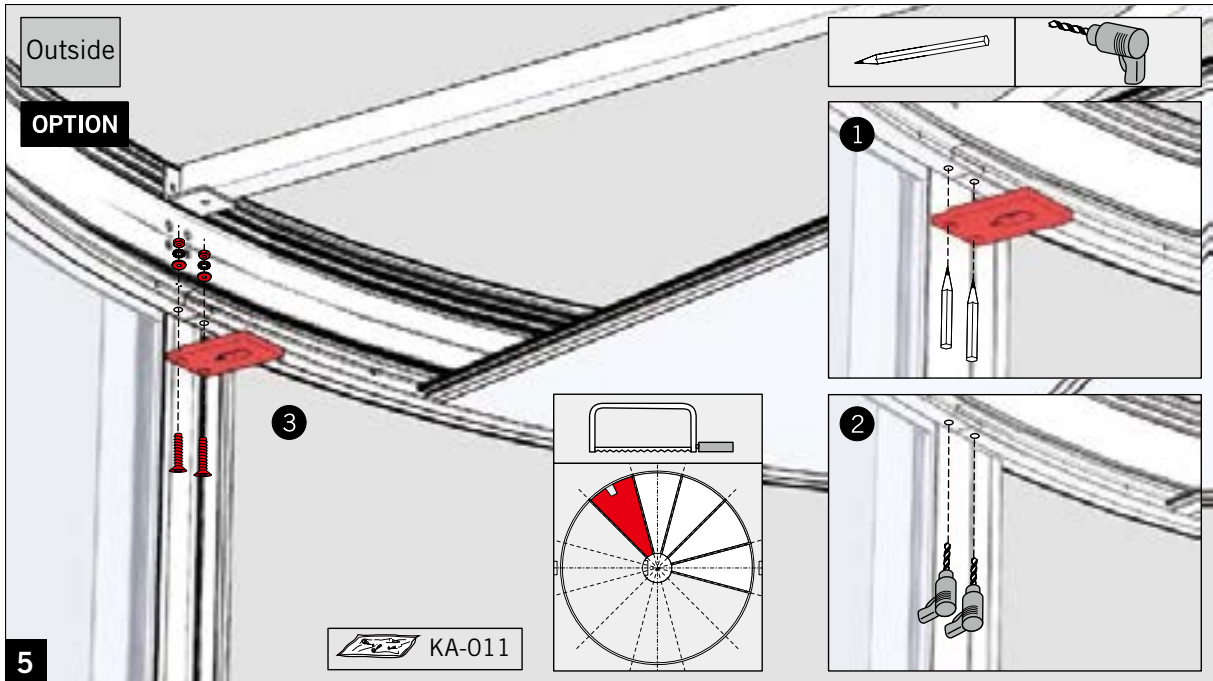


Crushing and falling hazard!



KTV-FLEX DIRECT DRIVE

Mounting the inner ceiling (wood)

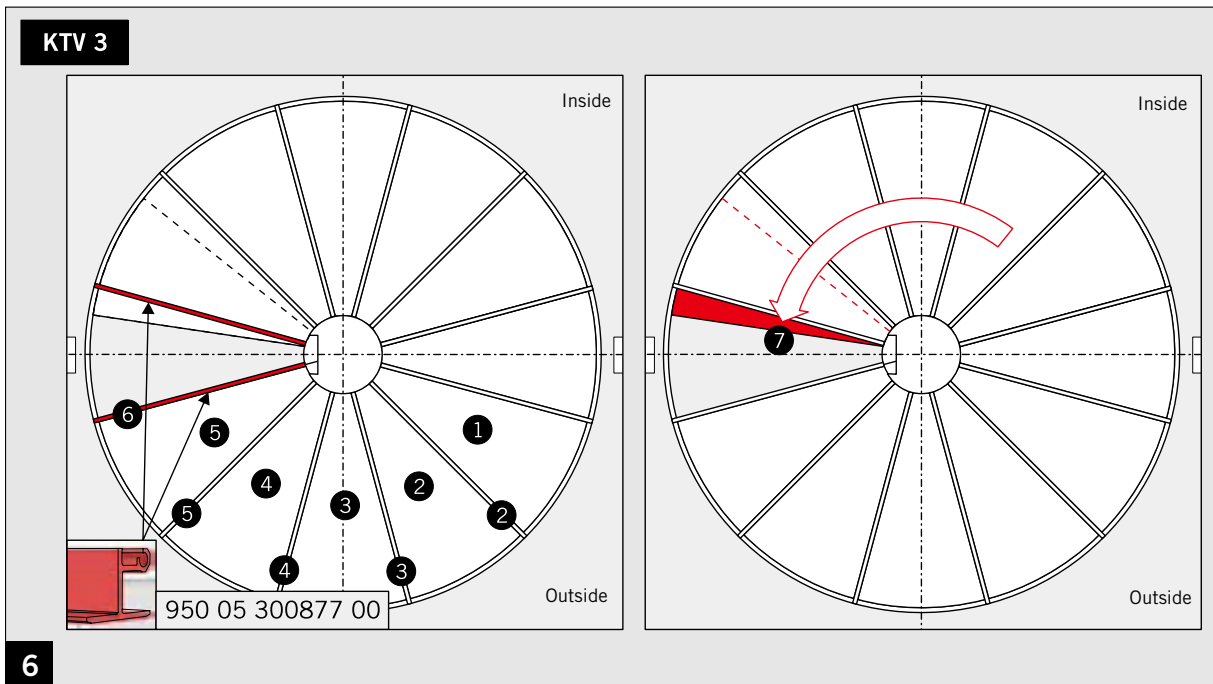


▶ Mount the latch plate and cut a corresponding hole into the ceiling panel.

▶ Pay attention not to damage the edges of the panels.



Falling hazard!



▶ Mount all profiles and ceiling panels. Mount the panels and locate the seventh panel in position.

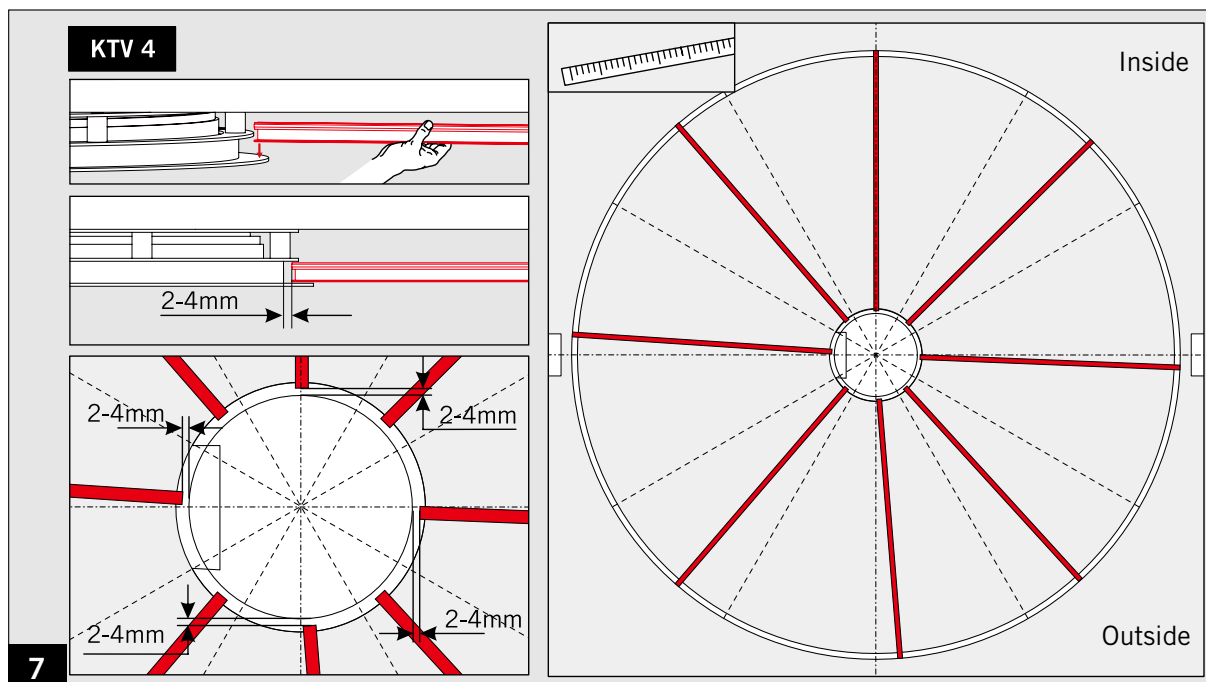


Crushing and falling hazard!



KTV-FLEX DIRECT DRIVE

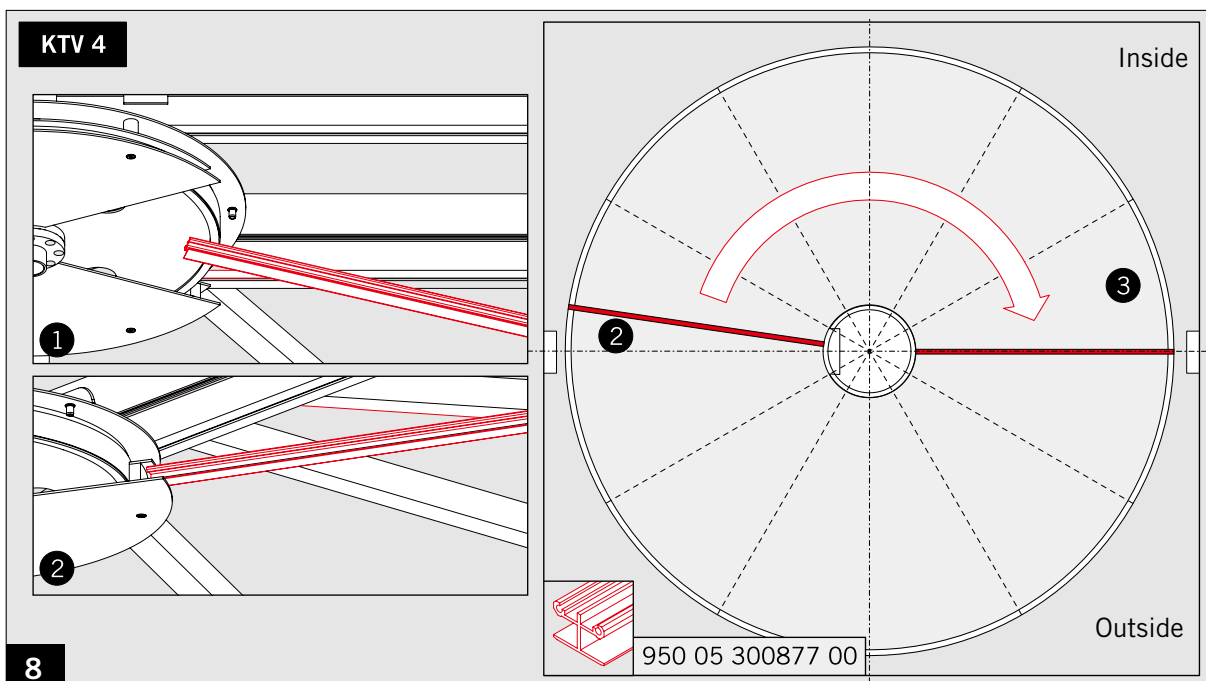
Mounting the inner ceiling (wood)



► Use a profile to check if the system is properly centred.



Falling hazard!



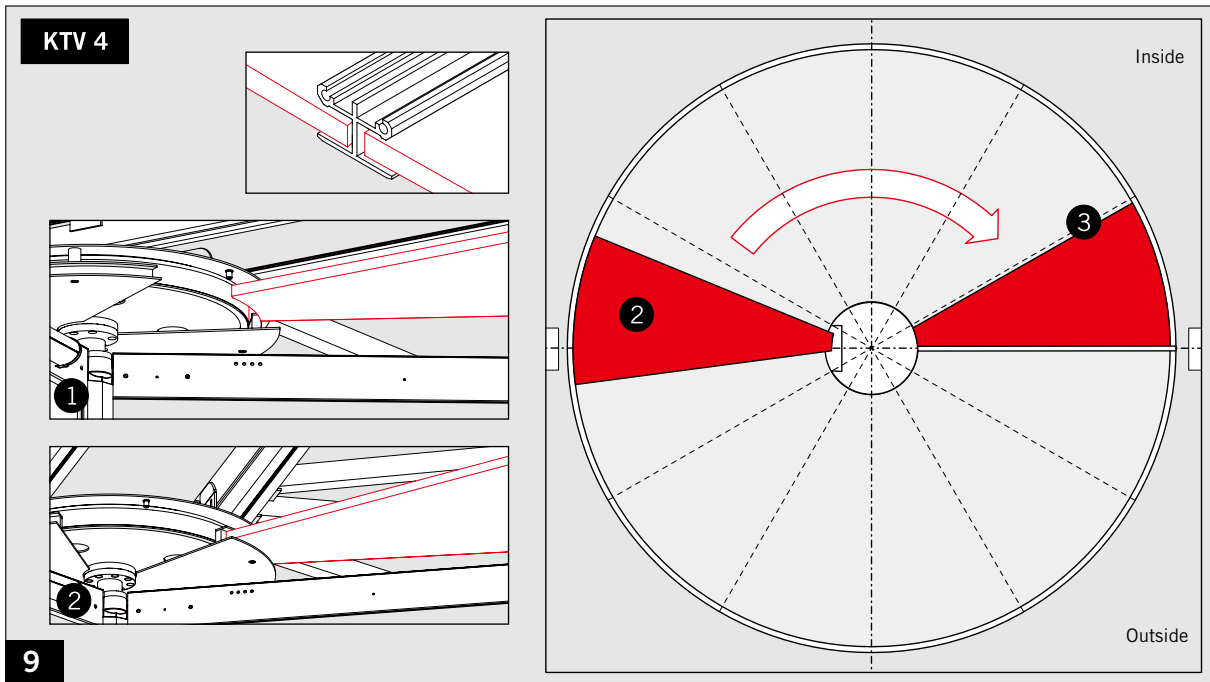
► Position the first profile.



Falling hazard!

KTV-FLEX DIRECT DRIVE

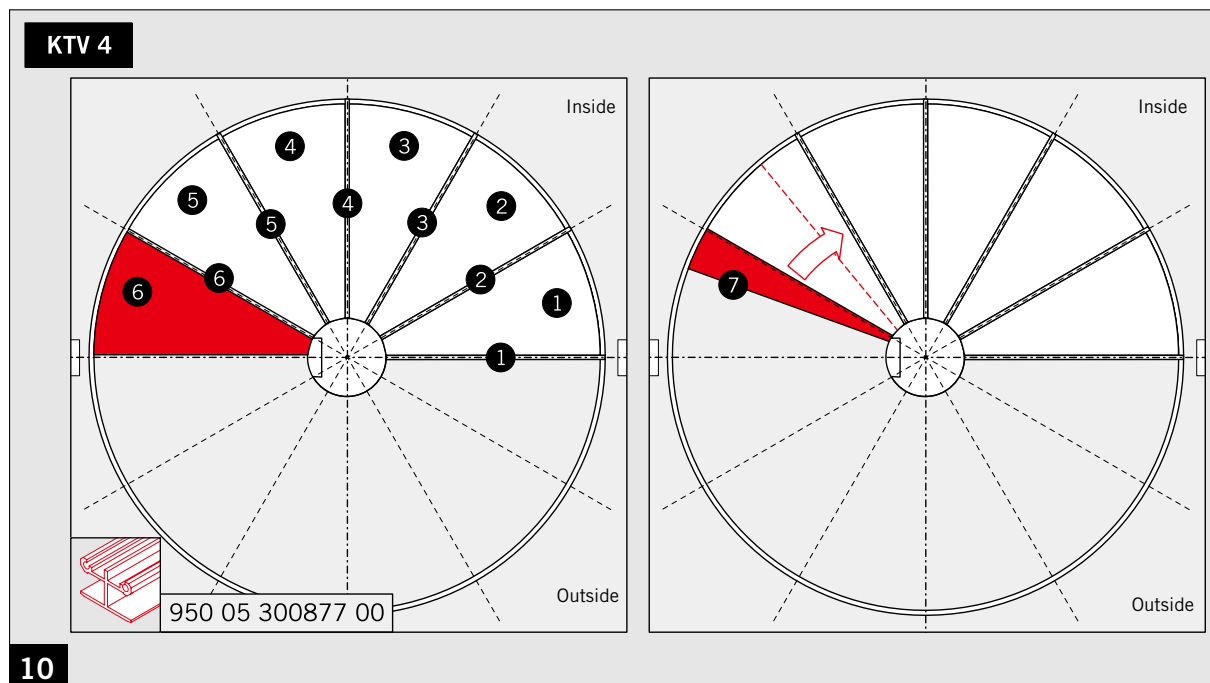
Mounting the inner ceiling (wood)



► Mount the first ceiling panel.



Crushing and falling hazard!



► Mount all profiles and ceiling panels. Slide the seventh panel above the already mounted ones.

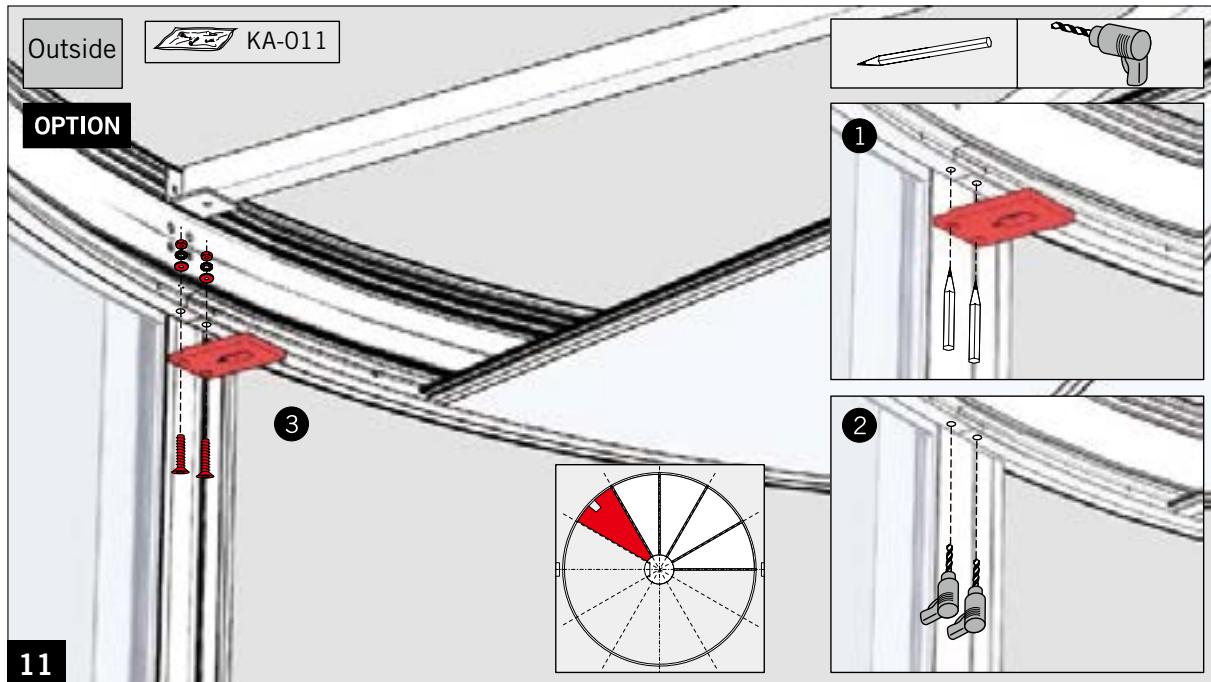


Crushing and falling hazard!



KTV-FLEX DIRECT DRIVE

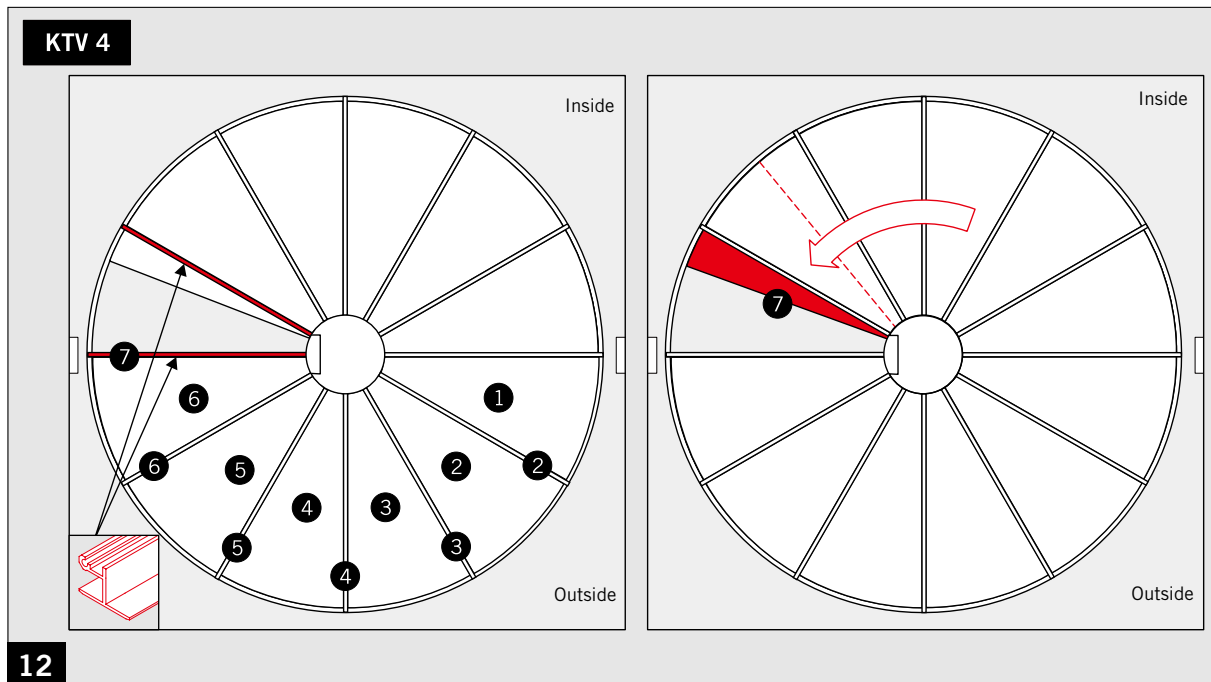
Mounting the inner ceiling (wood)



- ▶ Mount the latch plate and cut a corresponding hole into the ceiling panel.
- ▶ Pay attention not to damage the edges of the panels.



Falling hazard!



- ▶ Mount all profiles and ceiling panels. Mount the panels and locate the seventh panel in position.

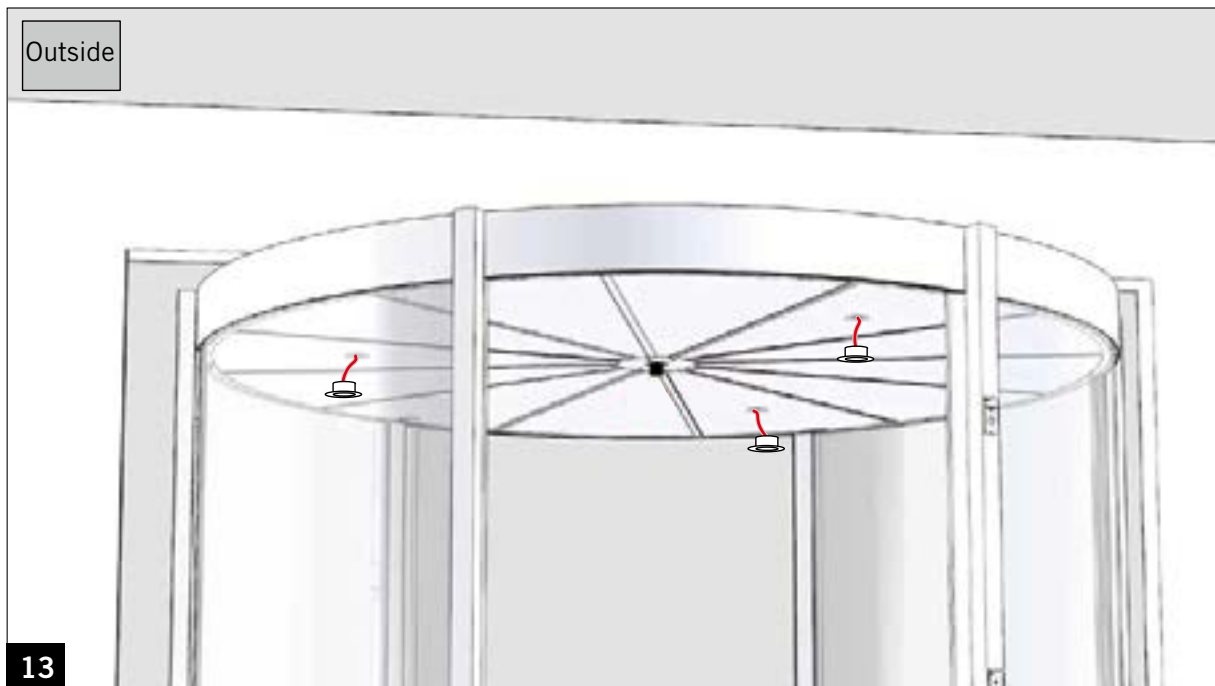


Crushing and falling hazard!



KTV-FLEX DIRECT DRIVE

Mounting the inner ceiling (wood)



▶ Install and connect the downlights.



Crushing and falling hazard!

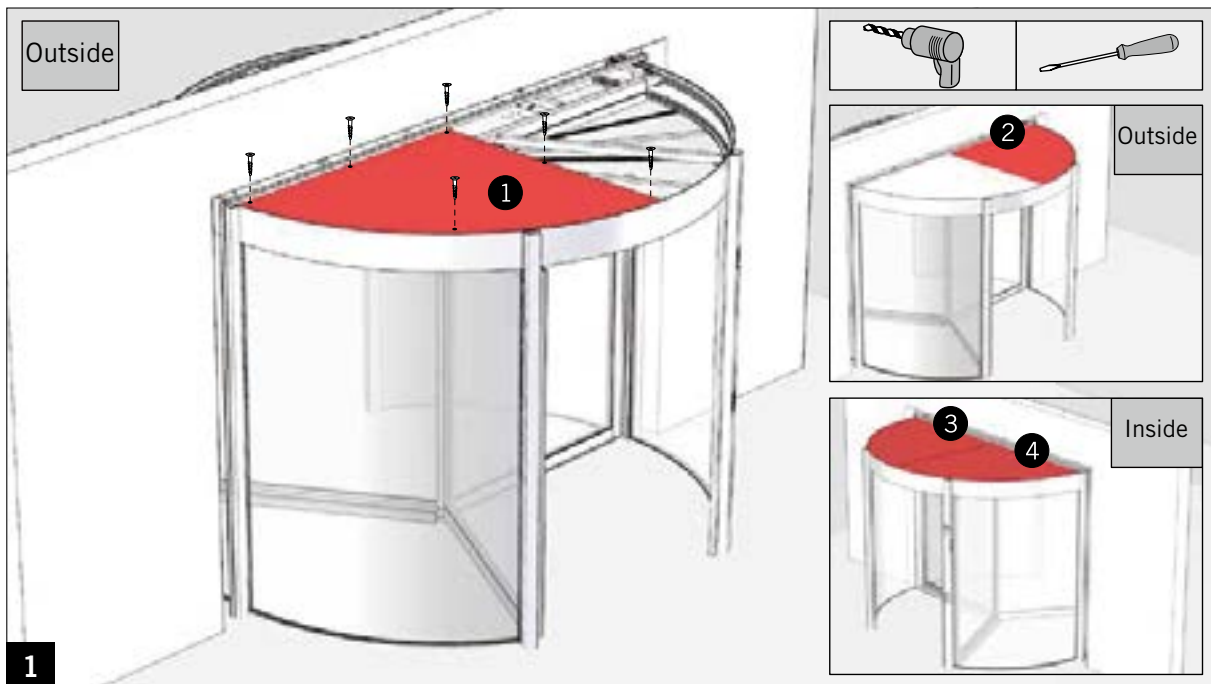
Only authorised people shall perform work on electrical equipment (authorisation by DORMA required).

Pay attention not to damage the cables.



KTV-FLEX DIRECT DRIVE

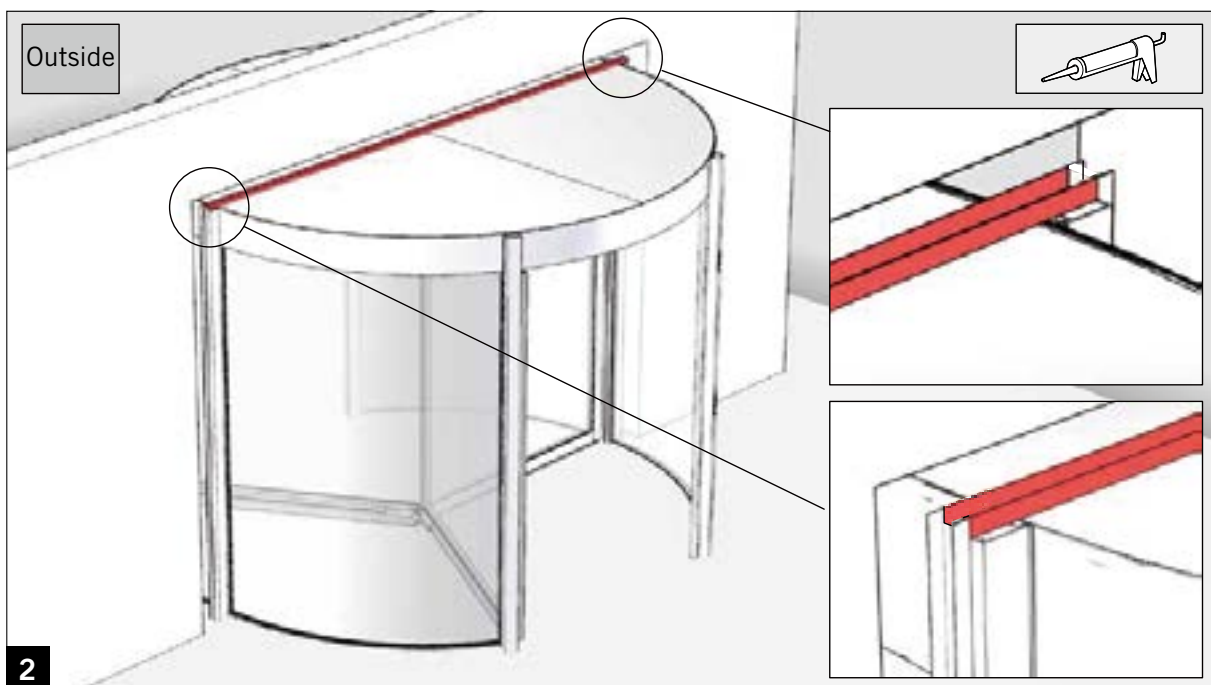
Mounting the outer ceiling



1 Drill holes and mount the panels.



Falling hazard!



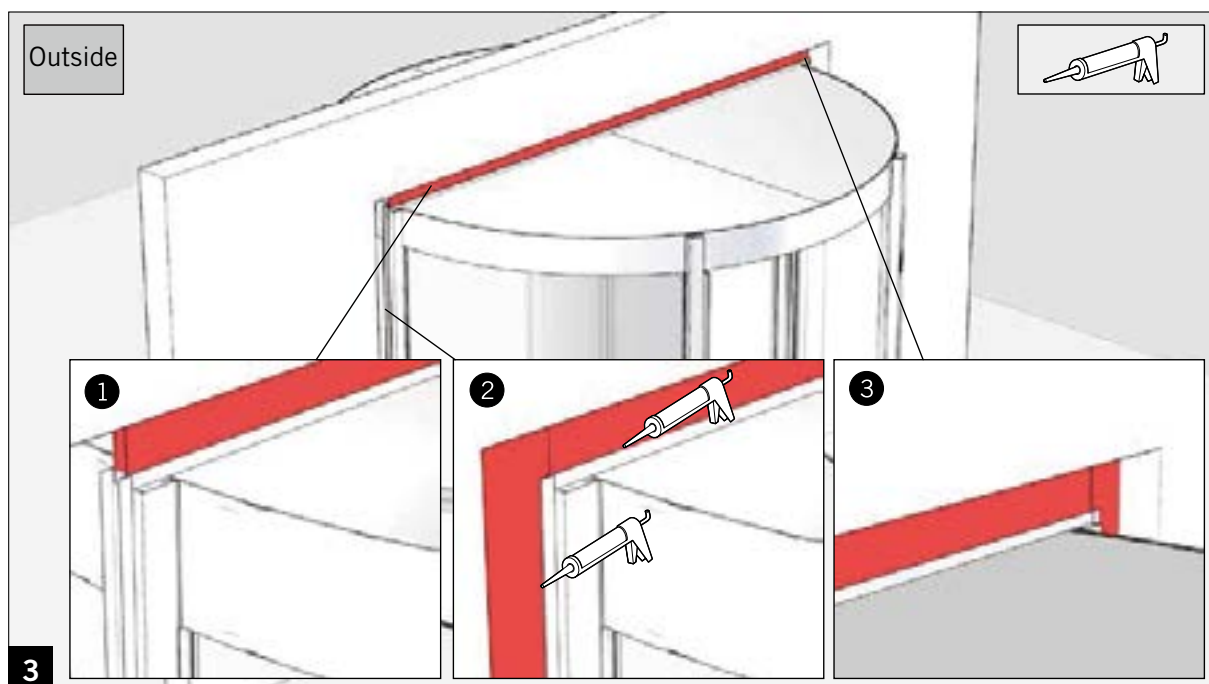
2 Mount the profile.



Falling hazard!

KTV-FLEX DIRECT DRIVE

Mounting the outer ceiling



▶ Attach the profiles for the facade connection, then seal with silicone.



Falling hazard!



KTV-FLEX DIRECT DRIVE

Recording of update

Control number : 058805 version code : Version 1.1

No.	Reason	Page No.	Change description	Remarks
1	Update the rubber of drum wall	39	Update the rubber of drum wall according to ECN1031	ECN1031
2	Lack the installation for NS	43	Insert page 43 of installation for NS	
3	Update latch plate on the door leaf	65	Replace the old latch plate with the new one	
4	Lack the installation for electric lock	68	Add electric lock installation steps on page 68	



DORMA GmbH+Co. KG
DORMA Platz 1
58256 ENNEPETAL
DEUTSCHLAND
Tel. +49 2333 793-0
Fax +49 2333 793-4950
www.dorma.de